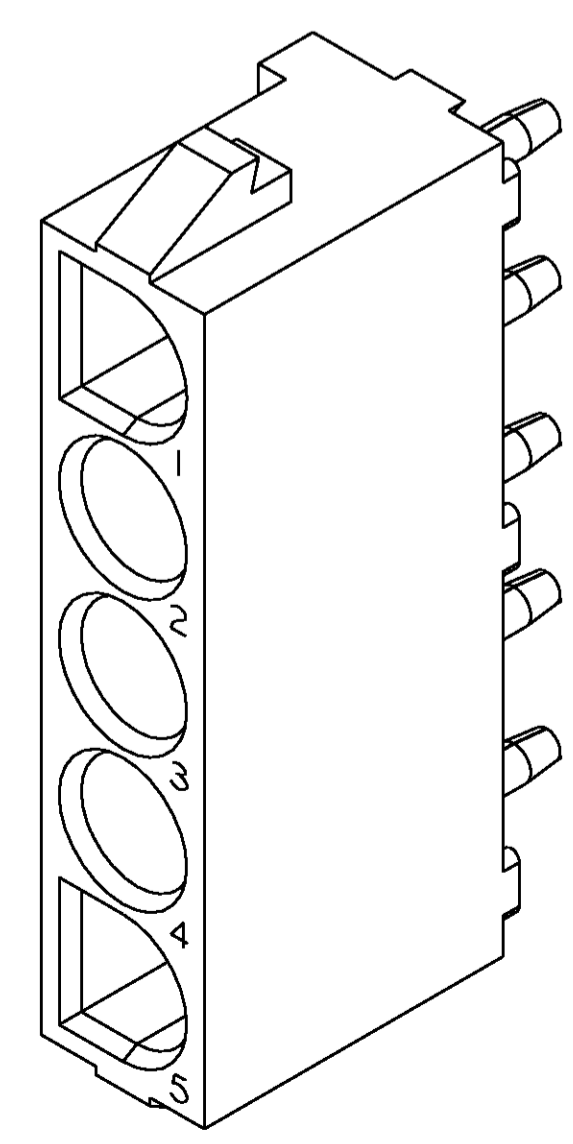
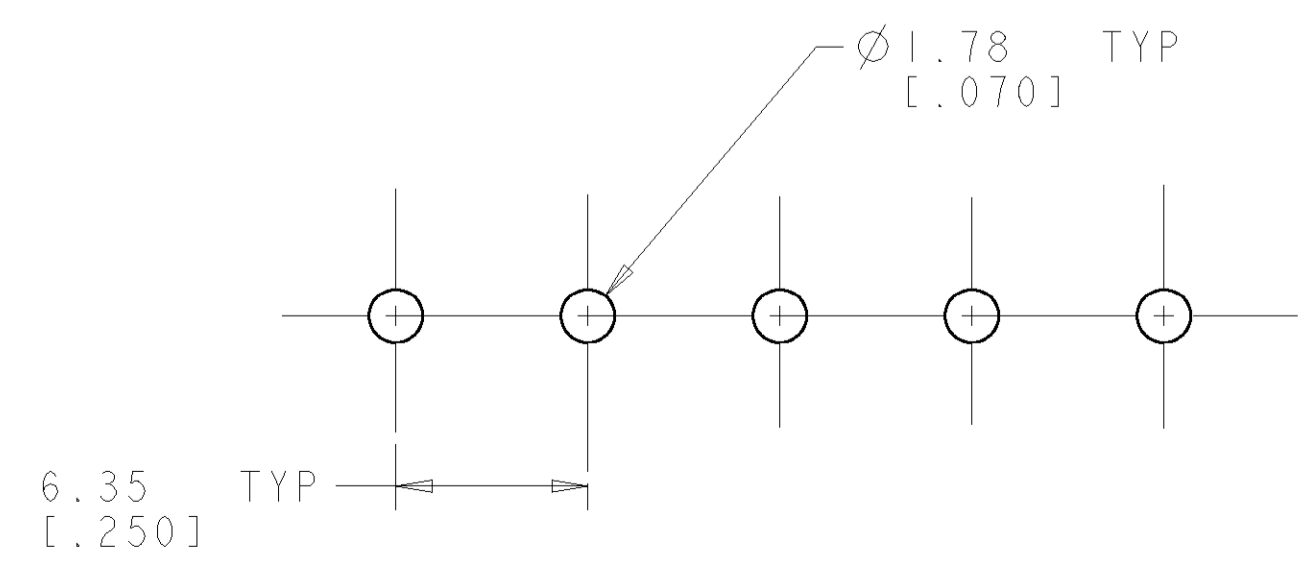
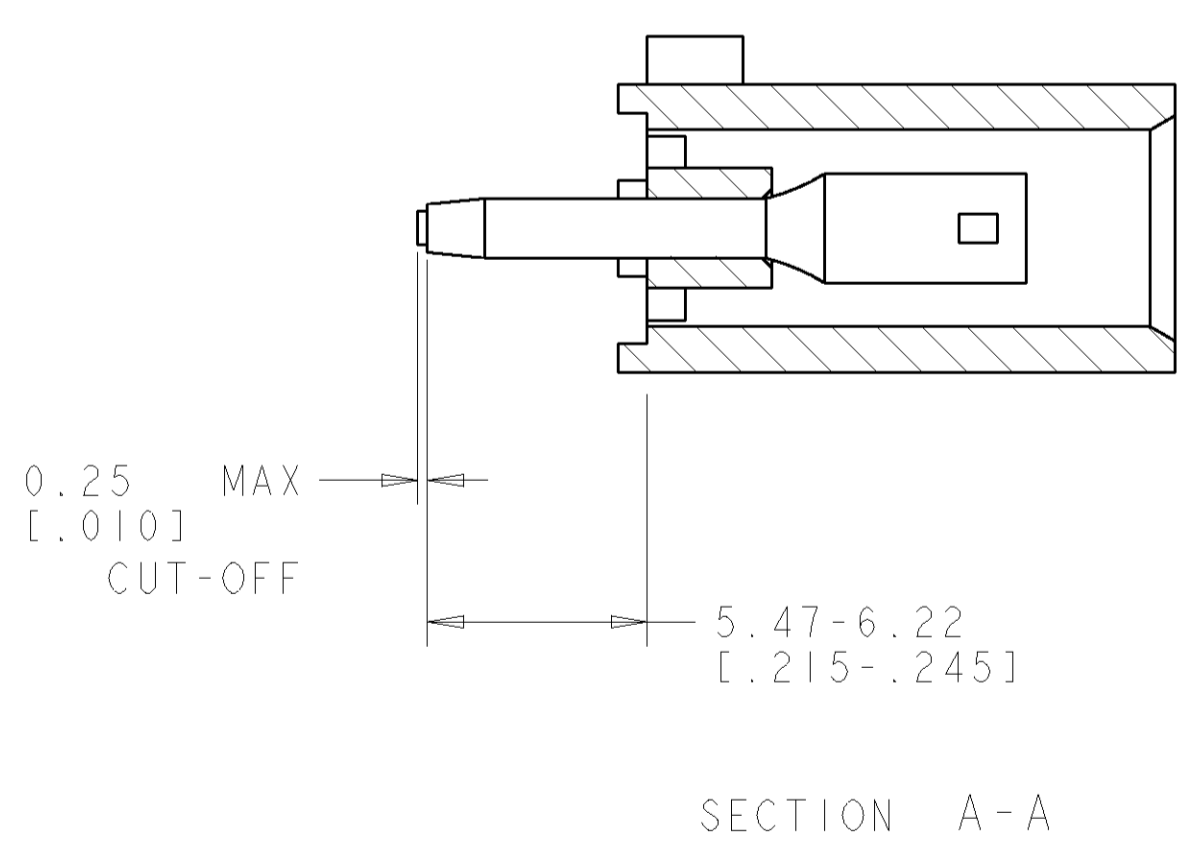
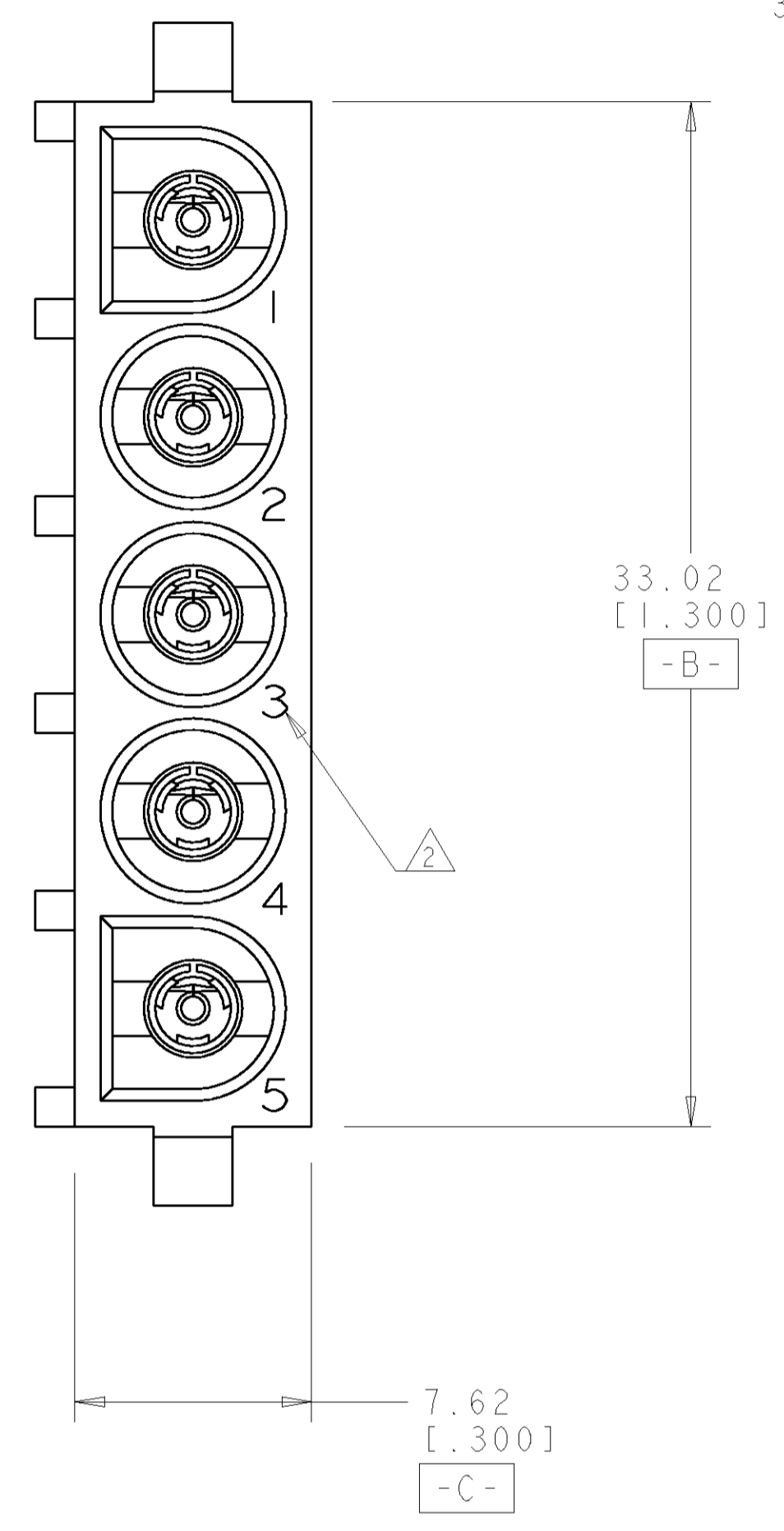
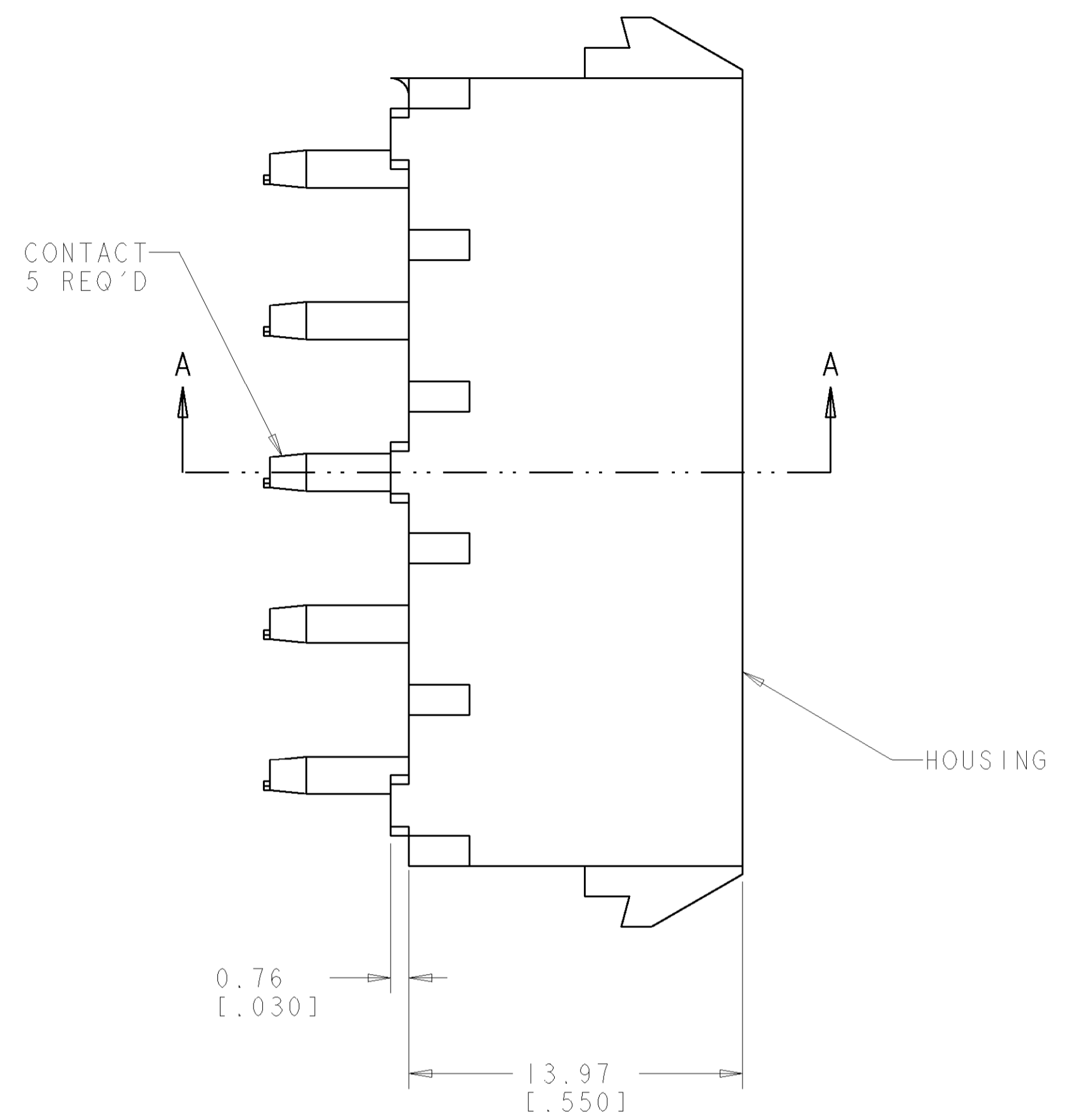
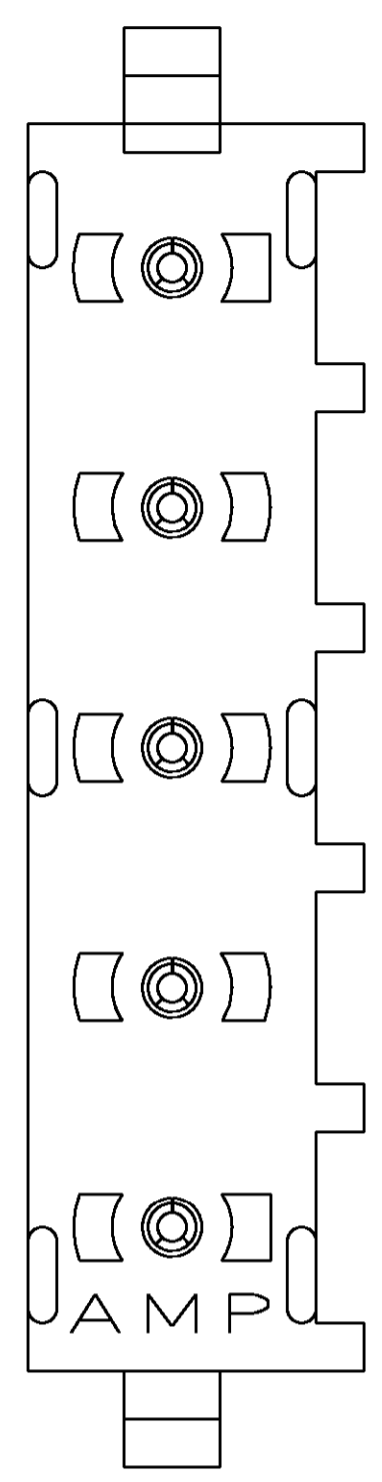


| LOC | | DIST | | REVISIONS | | | |
|-----|----|------|-----|--------------------------|-----------|-----|------|
| CM | 00 | P | LTR | DESCRIPTION | DATE | DWN | APVD |
| | | 0 | | REVISED PER 0638-0778-03 | 06-JAN-03 | KW | SR |

- PARTS COMPLY TO AMP SOLDERABILITY SPECIFICATION 109-11-3.
- CIRCUIT IDENTIFICATION CHARACTERS ARE ADJACENT TO THE INDICATED CAVITIES, BUT LOCATION AND ORIENTATION MAY DIFFER FROM PRINT.
- DIMENSIONS IN BRACKETS ARE IN INCHES.



3 DIMENSIONAL MODEL
SCALE 4:1

| | | |
|---|---|---|
| PHOSPOR BRONZE, PRE-TIN PIN CONTACT MATERIAL AND FINISH | NYLON, UL94V-0, WHITE HOUSING MATERIAL AND COLOR | 1586358-1 PART NUMBER |
| DIMENSIONS: mm [INCHES] TOLERANCES UNLESS OTHERWISE SPECIFIED: 0 PLC ± 1 PLC ± 2 PLC ±0.13 (.005) 3 PLC ± 4 PLC ± ANGLES SEE TABLE | | DWN R. WHITAKER 06-JAN-03 ENR S. RIDGILL 06-JAN-03 APVD S. RIDGILL 06-JAN-03 PRODUCT SPEC APPLICATION SPEC WEIGHT CUSTOMER DRAWING |
| MATERIAL SEE TABLE FINISH SEE TABLE | | Tyco Electronics Harrisburg, PA 17105-3608 NAME: SOCKET HEADER ASSEMBLY, 5 CIRCUIT, UNIVERSAL MATE-N-LOK™ SIZE: A1 CAGE CODE: 00779 DRAWING NO: C=1586358 SCALE: 5:1 SHEET: 1 OF 1 REV: 0 |

