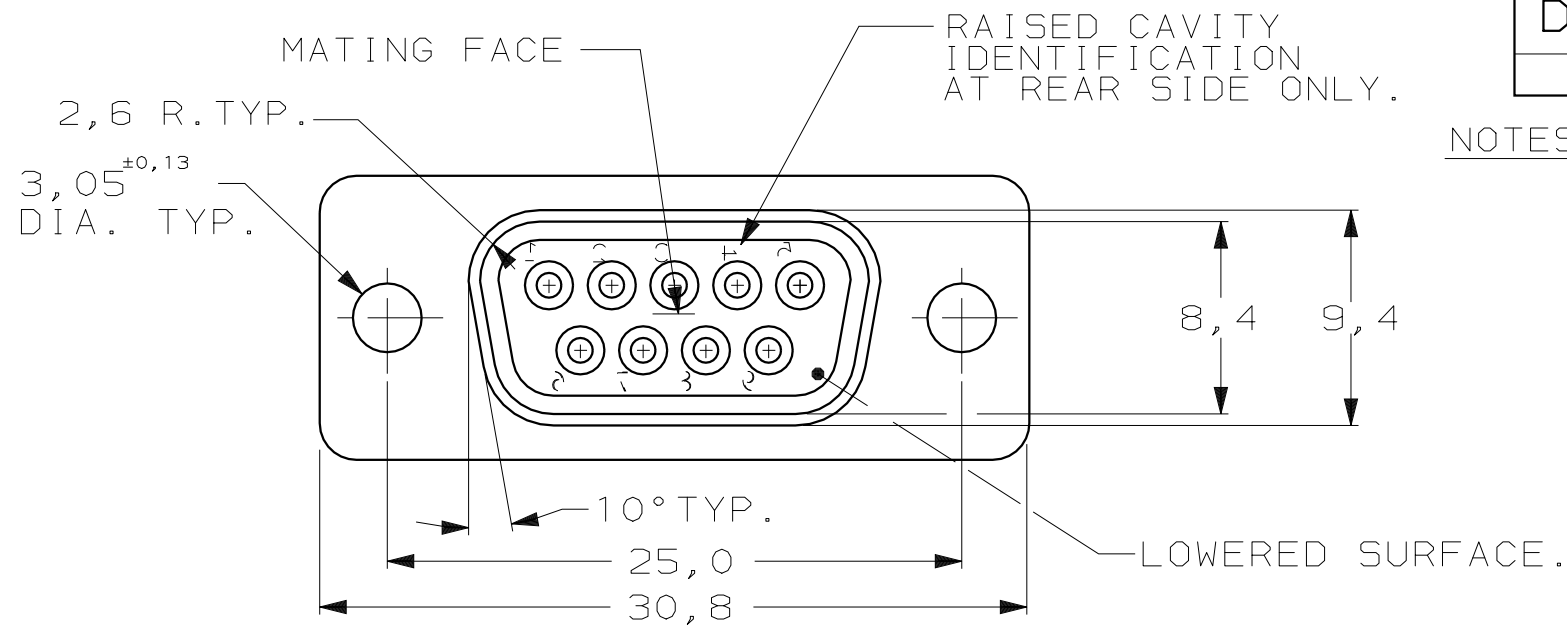
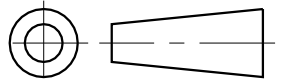


DO NOT SCALE

DIMENSIONS IN mm

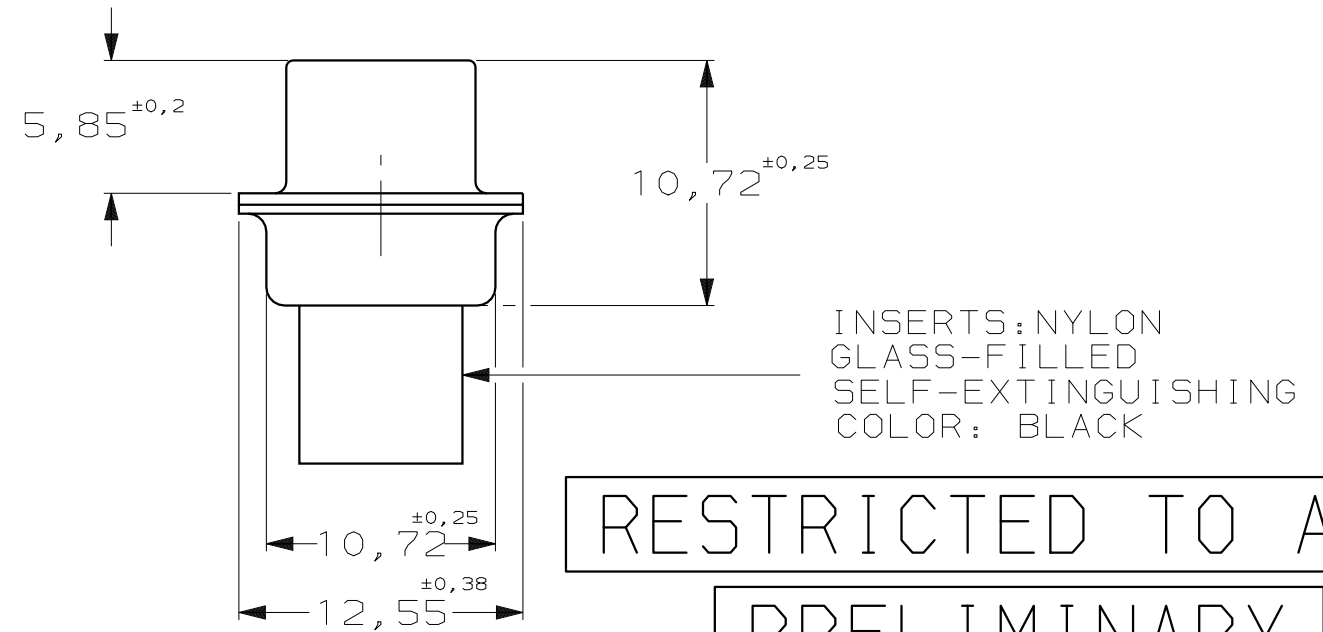
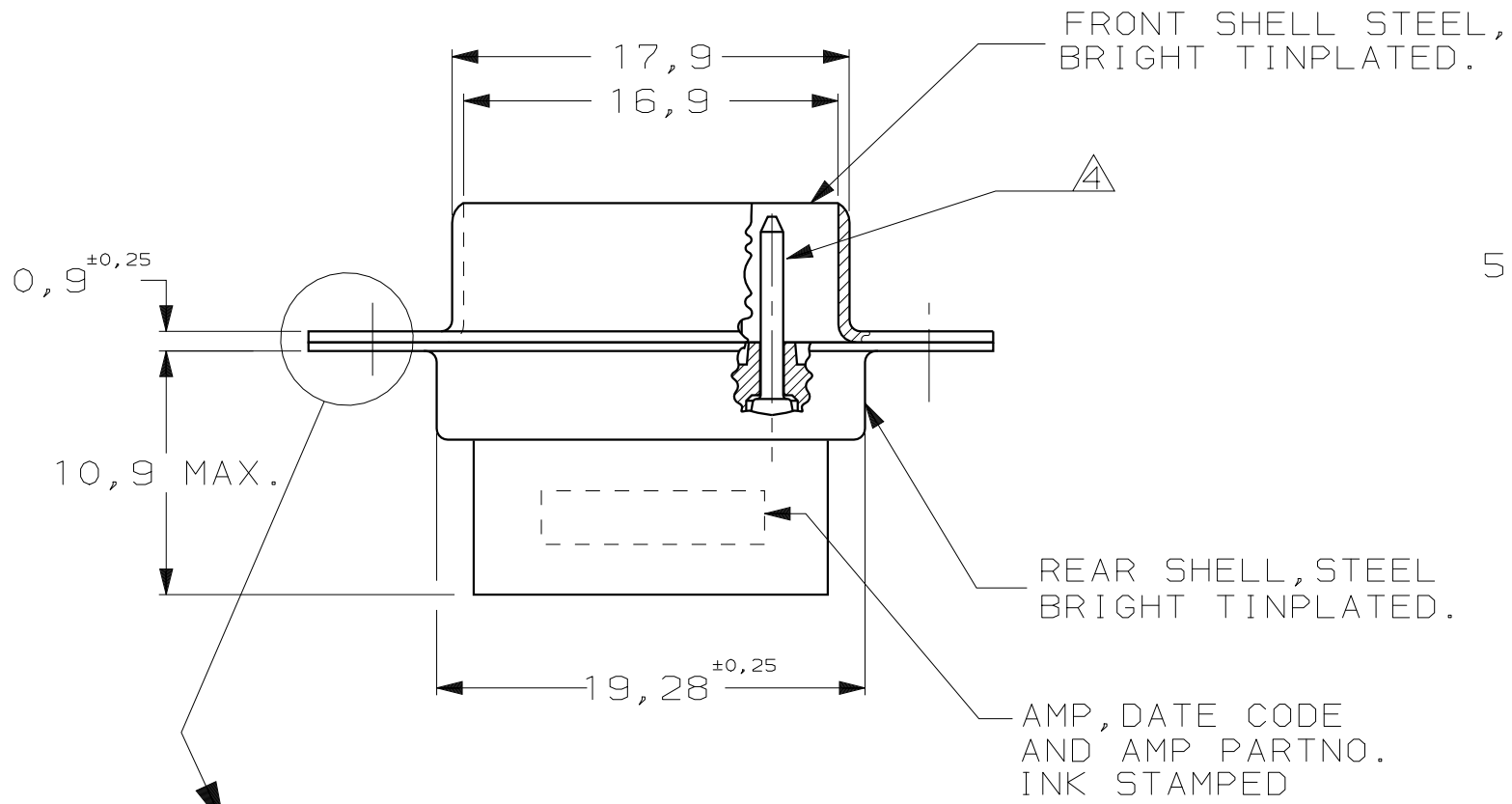
METRIC

THIRD ANGLE
PROJECTION



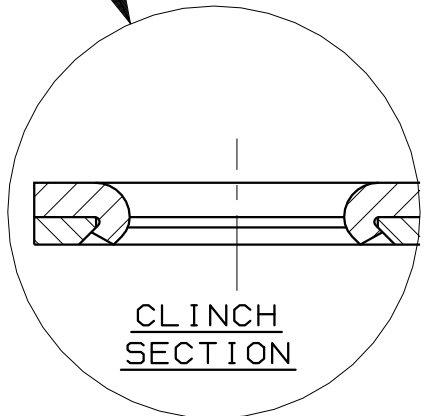
- NOTES:
- 1 THIS PLUG ACCEPTS SIZE 20 PIN CONTACTS
 - 2 MAXIMUM WIRE INSULATION RECOMMENDED FOR USE WITH THIS PLUG IS 1,73 DIA. MAX..
 - 3 RETENTION TINES ARE AN INTEGRAL PART OF INSERT.
 - 4 CONTACTS SHOWN FOR ILLUSTRATION ONLY, NO PART OF CONNECTOR PACKAGE, MUST BE ORDERED SEPARATELY.
 - 5 FOLLOWING INSERTION/REMOVAL TOOLS ARE RECOMMENDED FOR USE WITH THESE CONNECTORS:

32-28AWG/28-24AWG CONT'S	24-20AWG CONTACTS
91067-3 INSERTION/REMOVAL	91067-2 INSERTION/REMOVAL
726363-1 INSERTION ONLY	726363-1 INSERTION ONLY
	726364-1 REMOVAL ONLY



RESTRICTED TO ABB

PRELIMINARY



	SEE DRAWING	SEE DRAWING	216828-1
	FINISH	MATERIAL	PARTNUMBER
CUSTOMER DRAWING	AMP		
	AMP-HOLLAND B.V. 's-Hertogenbosch, The Netherlands.		
FOR REFERENCE ONLY WILL NOT BE UPDATED	THIS DRAWING IS UNPUBLISHED. RELEASED FOR PRODUCTION, 1990		
	© COPYRIGHT 1990 BY AMP-HOLLAND B.V. ALL INTERNATIONAL RIGHTS RESERVED. AMP PRODUCTS MAY BE COVERED BY U.S. AND FOREIGN PATENTS AND/OR PATENTS PENDING.		
DR. P. BEIJNON	DATE 04-12-89	WIRE RANGE -	NAME HDP-20 PLUG CONNECTOR, SIZE 1, (9 POSITION) -SPECIAL
CHK. B. MOOIJ	DATE 13-12-89	INSUL. RANGE -	REV. DATE 09 02 90
APP. L. v. SOEST.	DATE 04-01-90	SIZE A3	SHEET 1 OF 1
		DWG. No.	216828
			REV. LTR. A

ABSOLUTE
NOT the LATEST REVISION

8 7 6 5 4 3 2 1