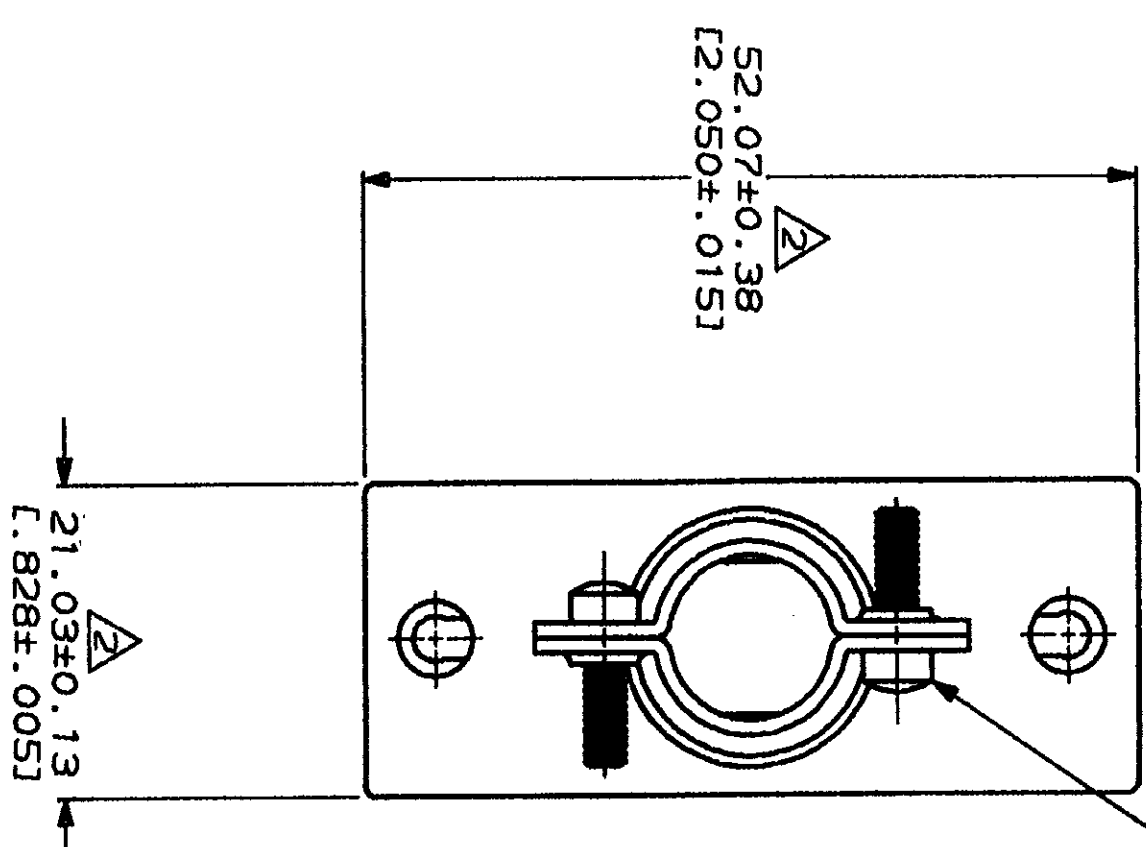
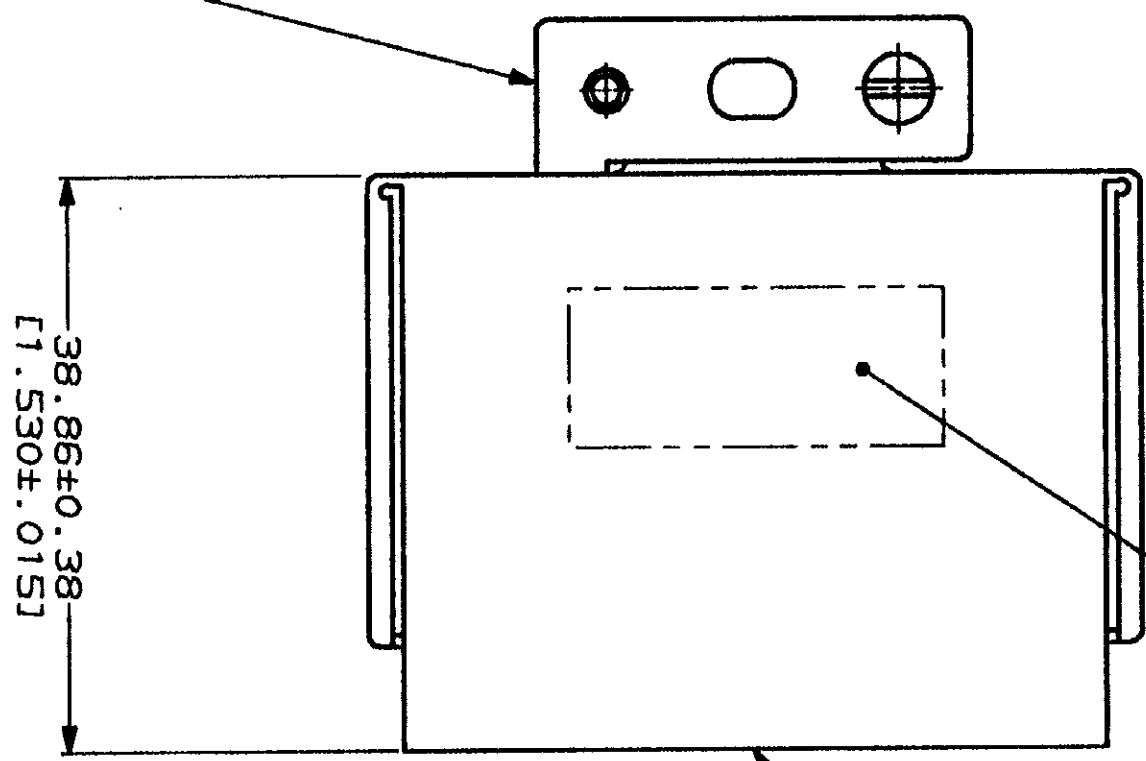


REV	DATE	APPD	DESCRIPTION
0			RELEASED NPR 4365
			MAS 92-5002-001-1



SCREW
 #4-40 X 9.52 [L.375] LONG
 MATERIAL: CARBON STEEL
 FINISH: ZINC
 QTY: 2



AMP AND DATE CODE.
 (EITHER SIDE)

SHIELD
 MATERIAL: ALUMINUM
 FINISH: ANODIZE

SCREW
 #4-40 X 6.35 [L.250] LONG
 MATERIAL: CARBON STEEL
 FINISH: ZINC
 QTY: 4

CABLE CLAMP
 MATERIAL: CARBON STEEL
 FINISH: 5.08µm [L.000200] MIN ZINC
 QTY: 2

- 1. SCREW PACKAGED SEPARATELY.
- 2. DIMENSION APPLIES AT BASE OF BEND.
- 3. CABLE AREA: 3.787-5.933 [L.1491-.2336] SQ IN.

DO NOT SCALE PRINT. UNLESS SPECIFIED DIMENSIONS IN mm [INCHES] TOLERANCES ON:	DR 09/15/92 C. DORNHART	AMP AMP Incorporated Harrisburg, PA 17105-9608
2 PLC DEC # - 3 PLC DEC # - ANGLES # - MATERIAL	CHK 09/17/92 R. STONE	
FINISH SEE CALLOUTS	APPD 09/17/92 G. STEINHAWER	SHIELD KIT, 34 POSITION, M SERIES
APPLICATION SPEC	APPD 09/17/92 C. RHOE	
WEIGHT	PRODUCT SPEC	SIZE CAGE CODE DRAWING NO
SEE CALLOUTS		SCALE 2:1 00779 C-213753
		SHEET 1 OF 1

213753-1
 PART NO