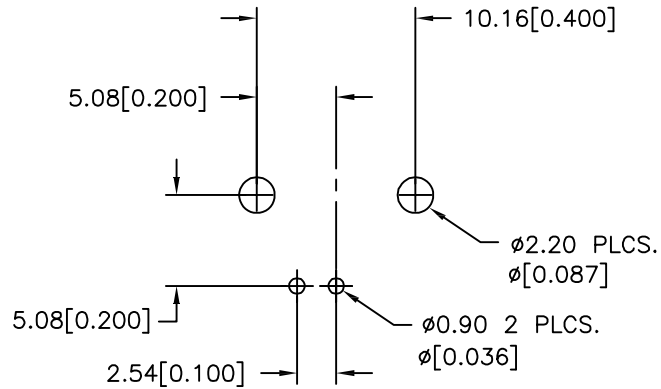
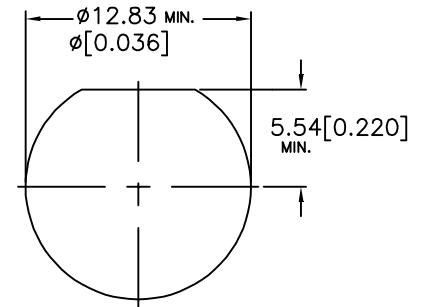


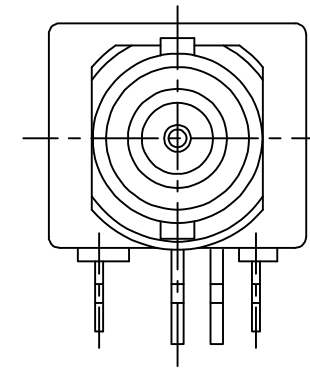
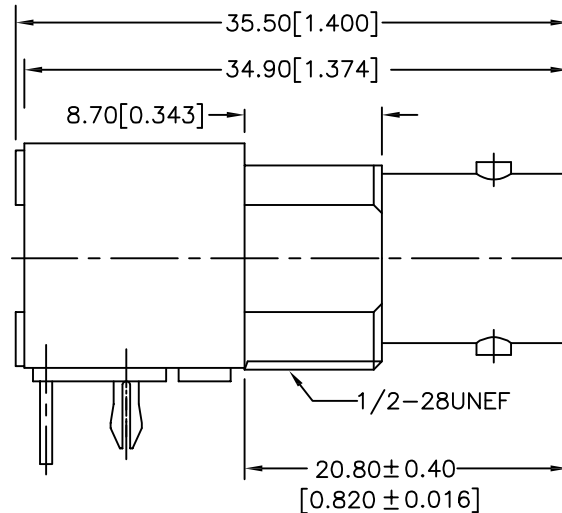
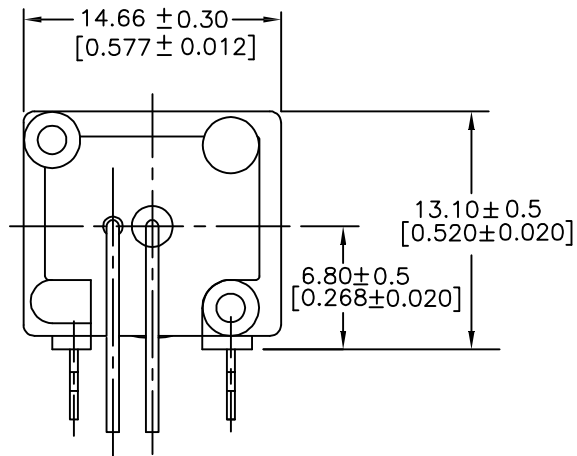
REV.	DATE	ECR NO	DESCRIPTION
A	10/12/95	--	UPDATE DRAWING FORMAT/ MODIFY BODY
B	02/17/10	2012	HARDWARES REMOVED



PCB MOUNTING HOLES



RECOMMENDED MOUNTING HOLE



DESCRIPTION	MATERIAL	FINISH	QTY	DIMENSIONS ARE IN MILLIMETERS UNLESS OTHERWISE SPECIFIED TOLERANCES ARE:	APPROVALS	DATE	Amphenol Connex				
1	BODY	DIECAST	NICKEL		1	DRAWN				CLEMENT	2/17/10
2	INSULATOR	PP	NATURAL	1	CHECKED						
3	CONTACT PIN	PHOSPHOR BRONZE	GOLD	1	ISSUED						
								TITLE BNC R/A PC MOUNT RECEPTACLE JACK LOW PROFILE 50 OHMS			
								SIZE A	FSCM NO. 99001	DWG. NO. 112487.DWG	REV. B
								SCALE 2.5:1	PART NO. 112487	SHEET 1 OF 1	
DO NOT SCALE DRAWING											