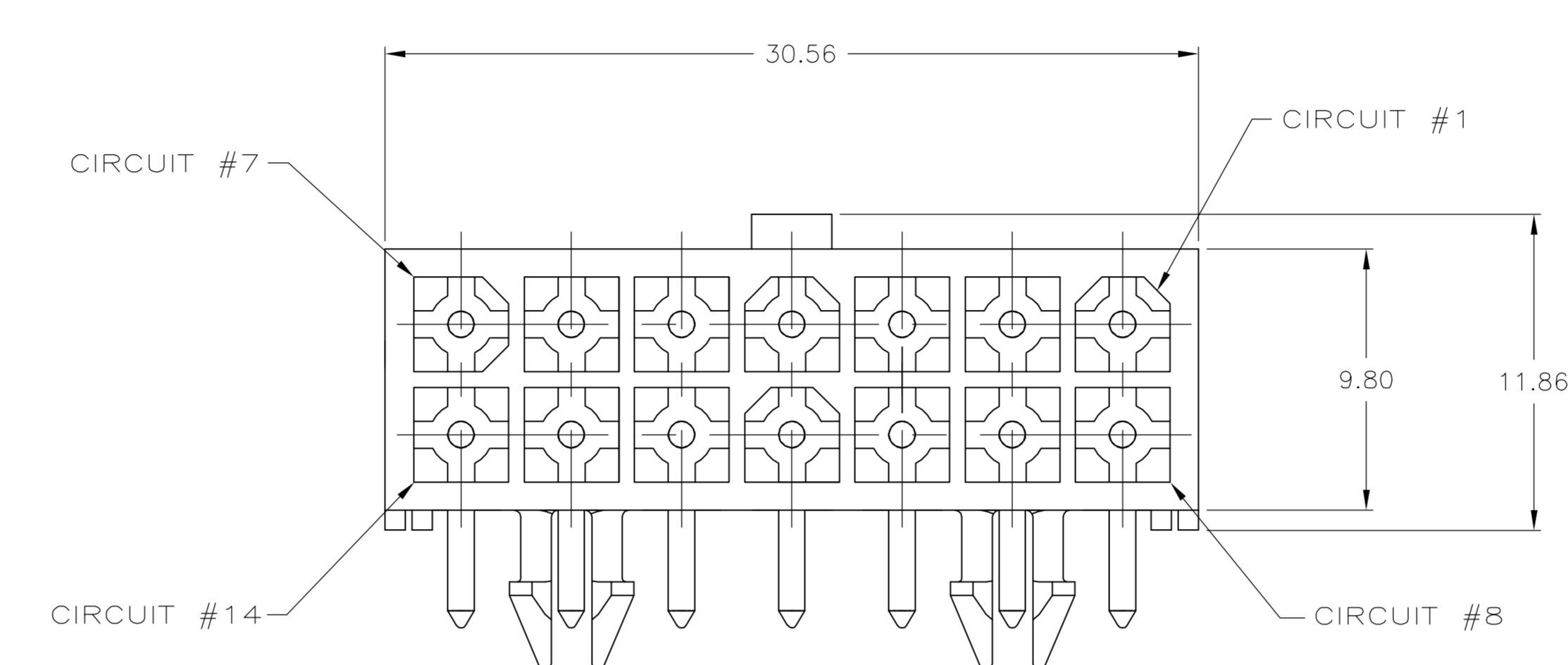
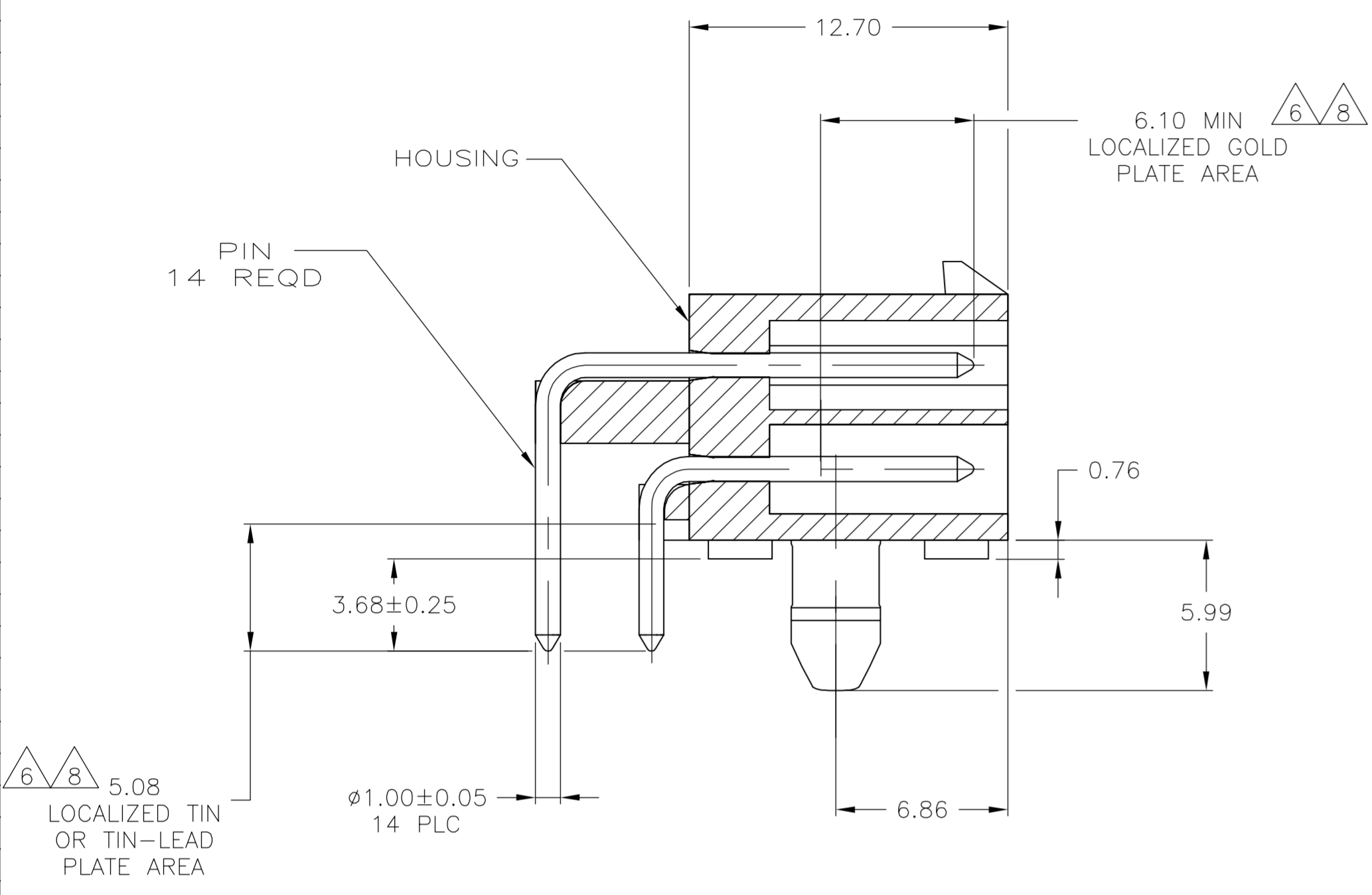
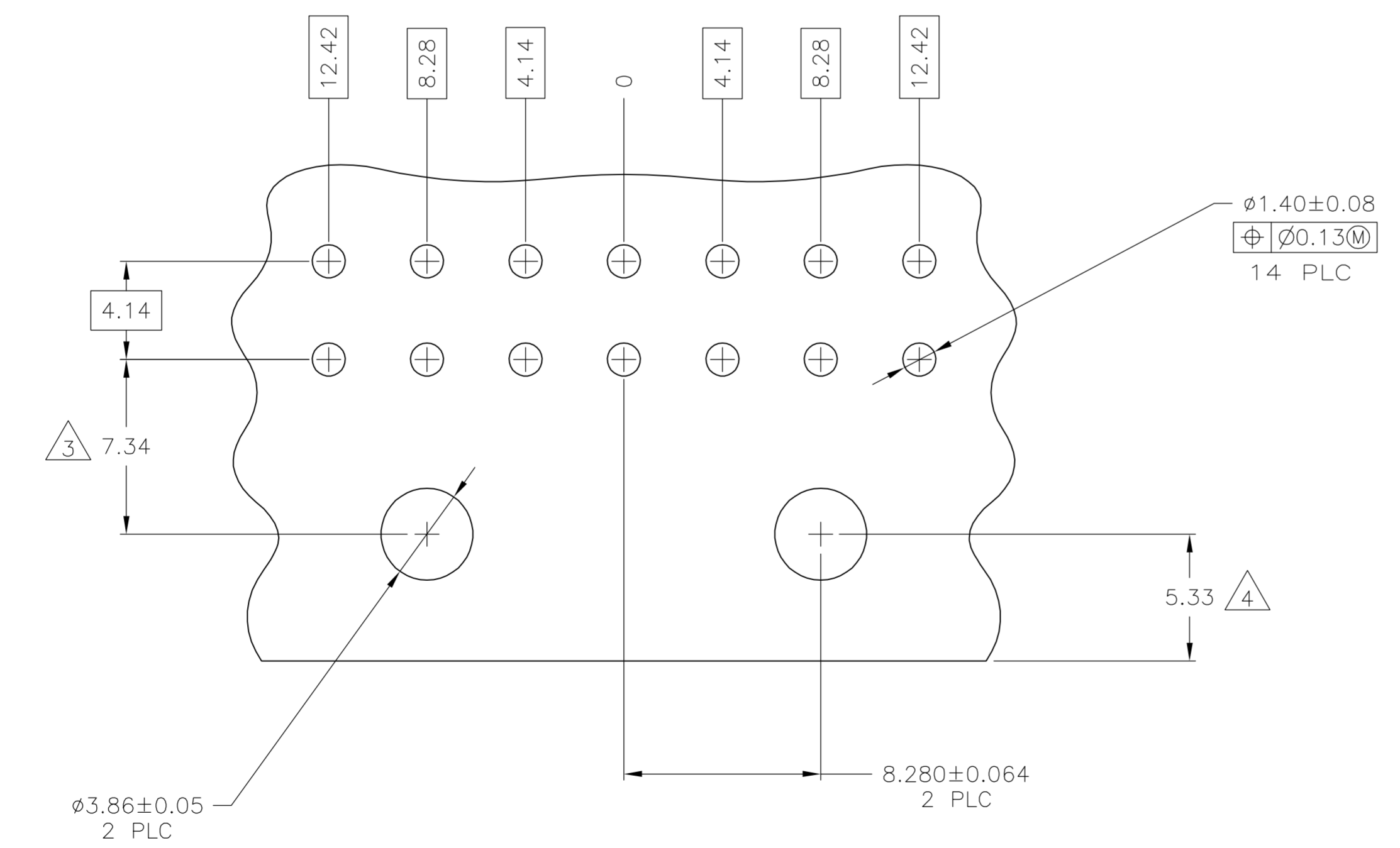


LOC		DIST		REVISIONS			
P	LTR	DESCRIPTION	DATE	DWN	APVD		
G		EC 003B 0213 05	19AUG05	BSV	RCJ		



- PINS TO COMPLY WITH AMP SOLDERABILITY SPEC 109-11-3.
- MATES WITH PLUG P/N 770582-1.
- COORDINATE DIMENSION APPLIES FROM CENTER OF ACTUAL FEATURE.
- RECOMMENDED FOR EDGE MOUNTING.
- 0.00381 MIN MATTE TIN LEAD OVER 0.00127 MIN NICKEL ENTIRE LENGTH OF PIN.
- 0.00076 MIN GOLD PLATE IN THE LOCALIZED PLATE AREA, 0.00381 MIN MATTE TIN LEAD IN THE LOCALIZED PLATE AREA, BOTH OVER 0.00127 MIN NICKEL.
- 0.00381 MIN MATTE TIN OVER 0.00127 MIN NICKEL ENTIRE LENGTH OF PIN.
- 0.00076 MIN GOLD PLATE IN THE LOCALIZED GOLD PLATE AREA, 0.00381 MIN MATTE TIN IN THE LOCALIZED TIN PLATE AREA, BOTH OVER 0.00127 MIN NICKEL.



RECOMMENDED MOUNTING HOLE PATTERN FOR 1.57 THICK P.C. BOARD

MM	IN	MM	IN
3.86	.152	30.56	1.203
3.68	.145	12.70	.500
1.57	.062	12.42	.489
1.40	.055	9.80	.386
1.00	.039	8.280	.3260
0.76	.030	8.28	.326
0.25	.010	7.34	.289
0.13	.005	6.86	.270
0.08	.003	6.10	.240
0.064	.0025	5.99	.236
0.05	.002	5.33	.210
0.00381	.000150	5.08	.200
0.00127	.000050	4.14	.163
0.00076	.000030		
MM	IN	MM	IN

CONVERSION TABLE

MATERIAL	FINISH	MATERIAL	COLOR	PART NO.
BRASS	8	NYLON, UL94V-0	WHITE	1-770973-1
BRASS	7	NYLON, UL94V-0	WHITE	1-770973-0
BRASS	6	NYLON, UL94V-0	WHITE	770973-2
BRASS	5	NYLON, UL94V-0	WHITE	770973-1

THIS DRAWING IS A CONTROLLED DOCUMENT.

DIN S. CARPENTER 24JUL03		Tyco Electronics Corporation Harrisburg, PA 17105-3608	
CHK C. JONES 24JUL03		NAME	
APVD G. JONES 24JUL03	PRODUCT SPEC	HEADER ASSEMBLY, RIGHT ANGLE, WITH SHORT PEG, 14 CIRCUIT, MINI UNIVERSAL MATE-N-LOK(TM)	
APPLICATION SPEC	SIZE	CAGE CODE	DRAWING NO
WEIGHT	A1	00779	770973
CUSTOMER DRAWING	SCALE	5:1	SHEET 1 OF 1 REV G

