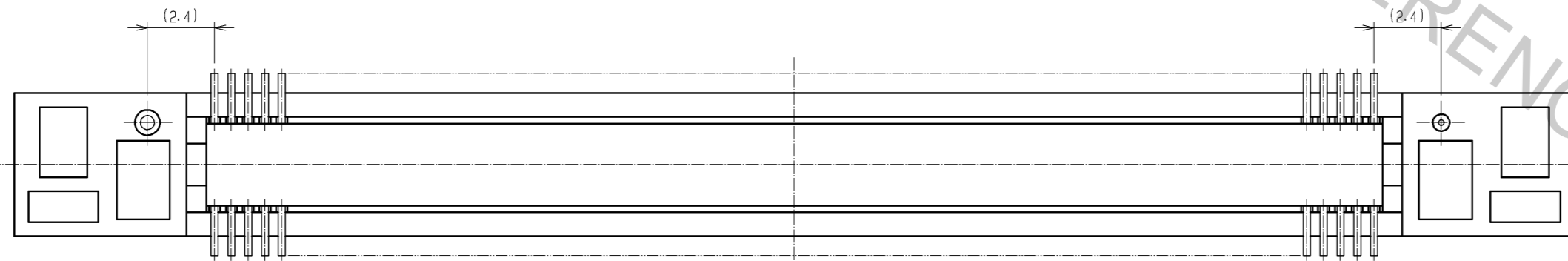
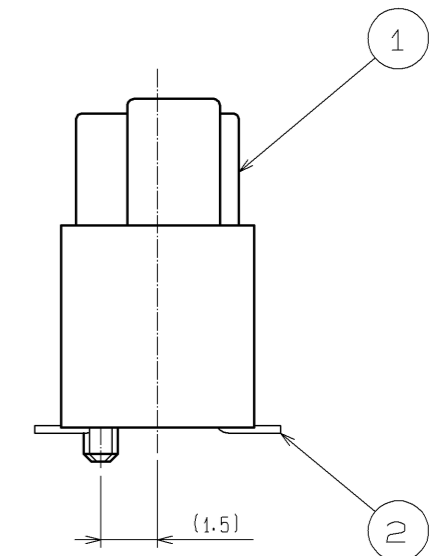
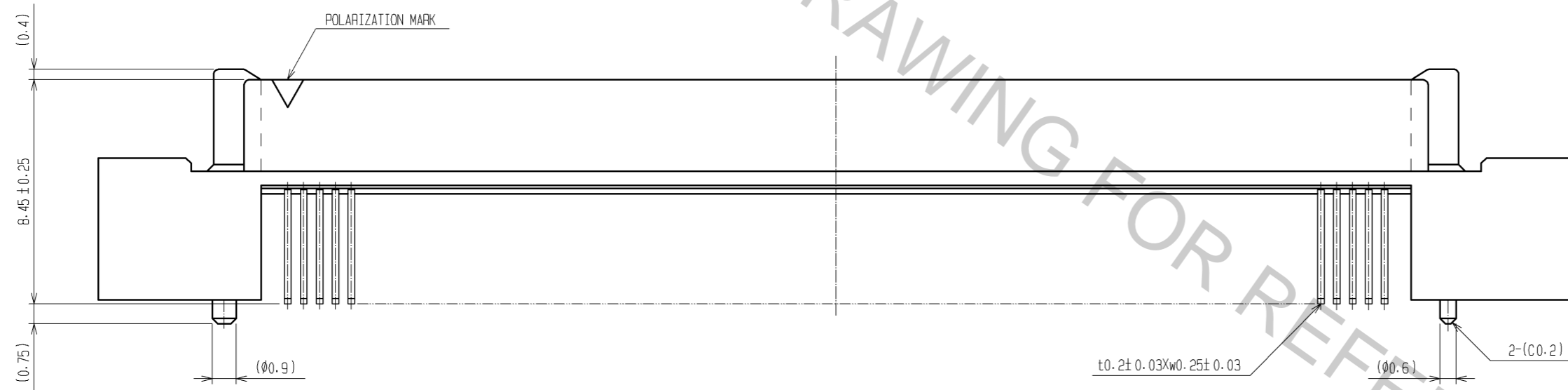
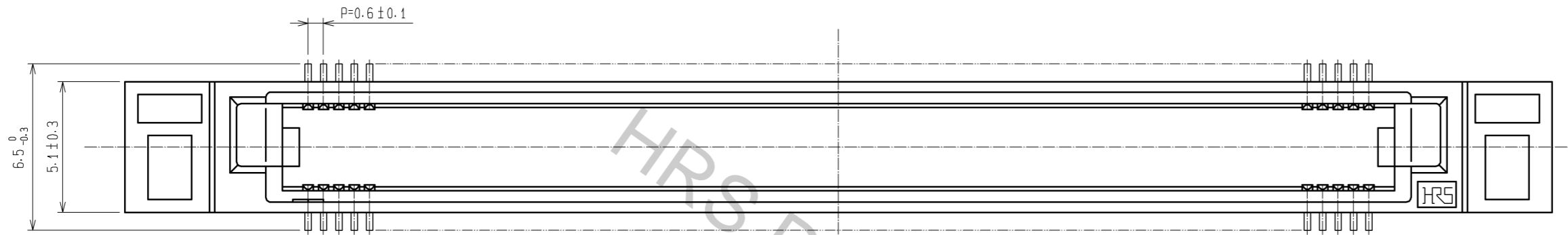


- NOTES
- 1 LEAD CO-PLANARITY SHALL BE 0.1mm MAX.
 - 2 AFTER MOUNTING BOARD, REF. NO. 3 SHALL BE REMOVED.
 - 3 FOR MODIFICATION, ETC., PREVENTIVE HOLE FOR SINK MARK MAY BE ADDED DEPENDS ON CIRCUMSTANCES.
 - 4 THE DIMENSIONS IN PARENTHESES ARE FOR REFERENCE.

1, 3	PPS	LIGHT BROWN (UL94V-0)	2	PHOSPHOR BRONZE	CONTACT AREA:GOLD 0.1μm min. LEAD AREA:TIN-PLATING 1μm min. UNDER PLATING:NICKEL 1μm min.		
NO.	MATERIAL	FINISH, REMARKS	NO.	MATERIAL	FINISH, REMARKS		
UNITS mm		SCALE 2 : 1	COUNT 	DESCRIPTION OF REVISIONS	DESIGNED	CHECKED	DATE
HRS HIROSE ELECTRIC CO., LTD.		APPROVED : HS. OKAWA	10.02.09	DRAWING NO.	EDC3-150945-01		
		CHECKED : HT. YAMAGUCHI	10.02.09	PART NO.	FX8C-140/140P11-SV4J(71)		
		DESIGNED : KN. SHIBUYA	10.02.09	CODE NO.	CL578-0737-5-71		
		DRAWN : KY. SUGIBUCHI	10.02.08				

DETAIL AFTER REMOVING JOINT



NOTE THE DIMENSIONS IN PARENTHESES ARE FOR REFERENCE.

HRS	DRAWING NO.	EDC3-150945-01
	PART NO.	FX8C-140/140P11-SV4J(71)
	CODE NO.	CL578-0737-5-71
		$\triangle \frac{2}{2}$