

## SUMMARY



*Image is for illustrative purpose only*

### # Wires

Low	0
High	0
Coax	1
Triax	0
Quad	0
Fiber	0
Fluidic	0

### Download

[Request a quote](#)

[Catalog](#)

Series	00
Termination type	Coupler/adapter/bridge
IP rating	50
Cable Ø	0.00 - 0.00 mm
Matching parts	
Status	
Alternative part	

## TECHNICAL DETAILS

### Mechanics

Shell Style/Model	RAD*: Fixed coupler, nut fixing
Keying	Circular (can rotate)
Housing Material	Brass (nickel plated) shell, collet nut, latch sleeve and mid pieces
Cable Fixing	∅ 0 - 0 mm
Variant	

### Performance

Configuration	0.25 : 1 Coax (50 Ohm)
Insulator	T: PTFE
Rated Current	4 Amps

### Specifications

Contact Type: Coaxial 50 Ohm  
Max. Matings: 500  
Contact Retention: 18 N  
Contact Dia.: 0.7 mm (0.03in)  
Vtest: 2100 V (AC), 3000 V (DC)  
□

Impedance: 50 Ohm  
VSWR:  $1.09 + 0.11 * f/\text{GHz}$

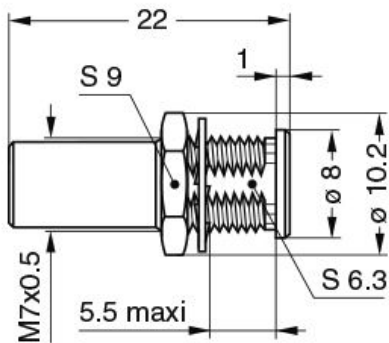
## Others

Endurance (Shell): 5000 mating cycles  
F ret (min): 100 N  
IP Rating: 50

---

# DRAWINGS

## Draws



## Dimensions

	A	B	E	L	M	S1	S2	e
mm.	8	10.3	5.5	22	1	6.3	9	M7x0.5
in.	0,31	0,41	0,22	0,87	0,04	0,25	0,35	

---

# RECOMMENDED BY LEMO

## Tools

Crimp Tool: DPC.91.701.V

## Cables