

5

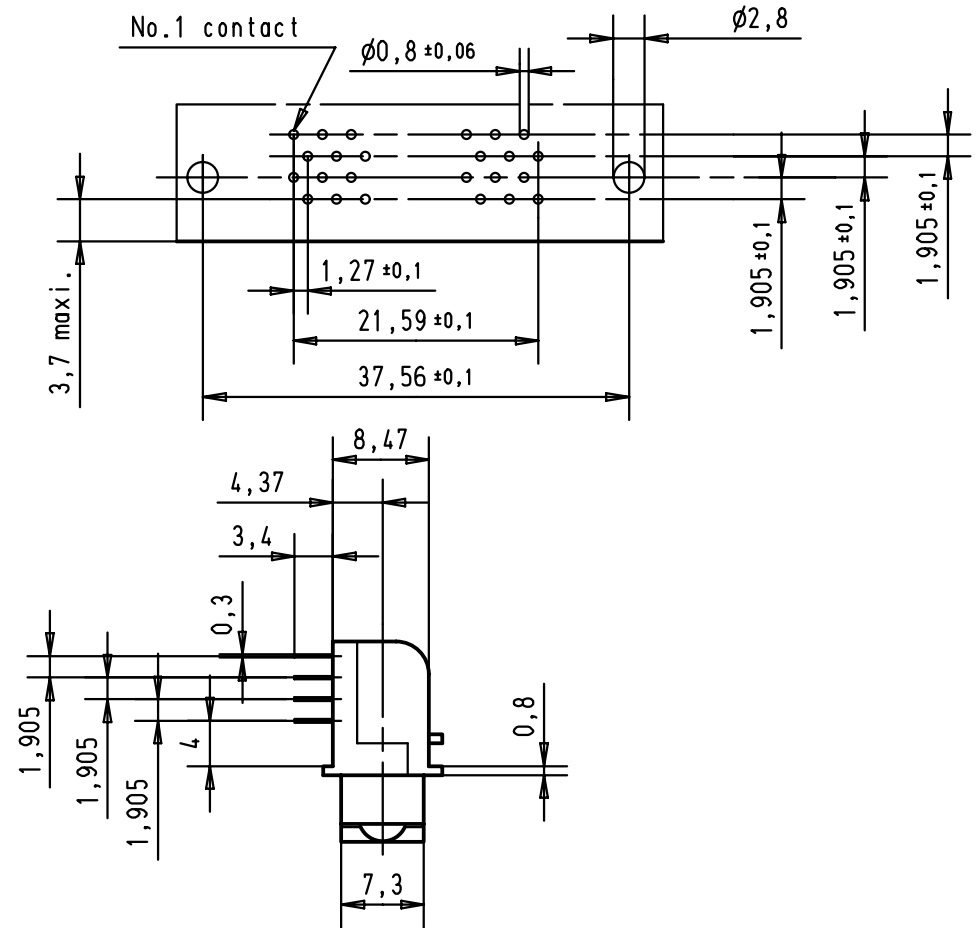
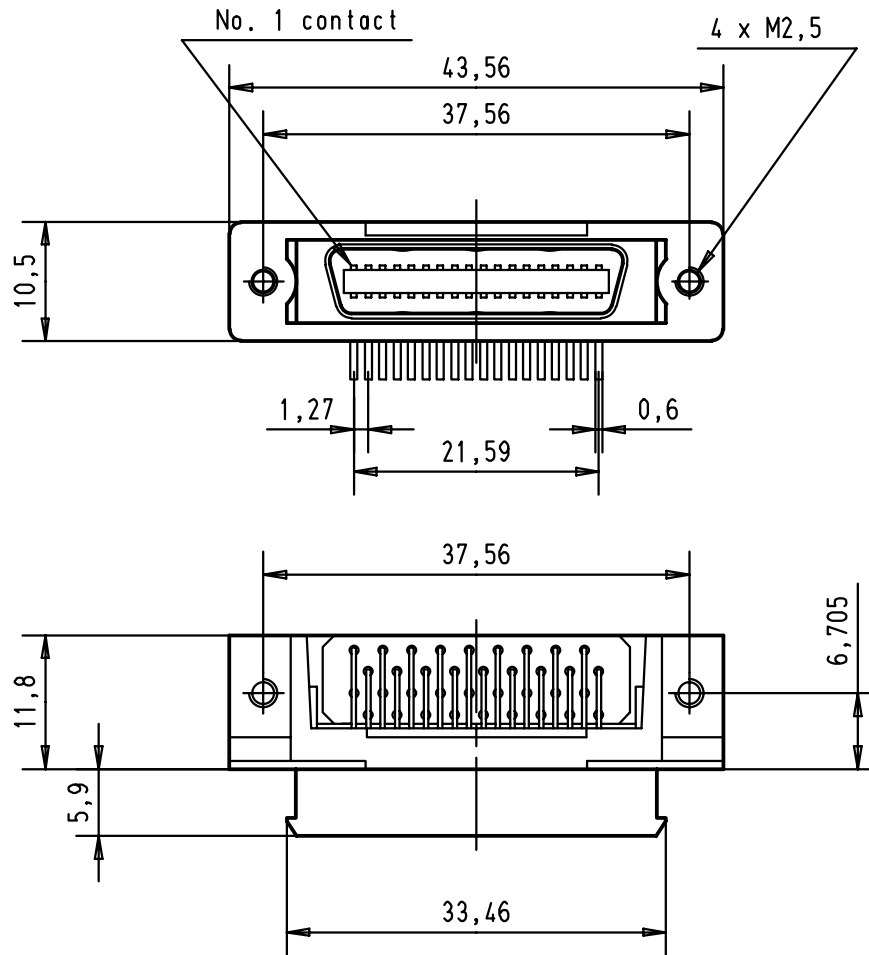
4

3

2

1

Printed board layout
Component side



						 All Dim. in mm Orig. Size DIN A 4	har.mik [®] I/O bellow 36 poles male connector with angled solder pins and fixed latching	Maßstab/ Scale
								1,5:1
								Blatt/ Page
27941	30-AUG-00	JB	HARTING EURL	TB 60 11 036 5232	1			
Mod.	Dat.	Name	F-95972 Paris	Sub.	1			

D
C
B
A