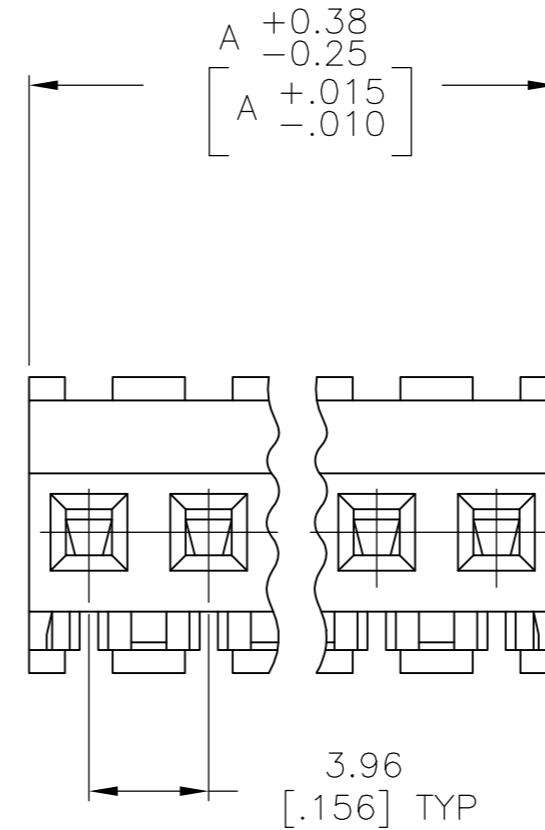
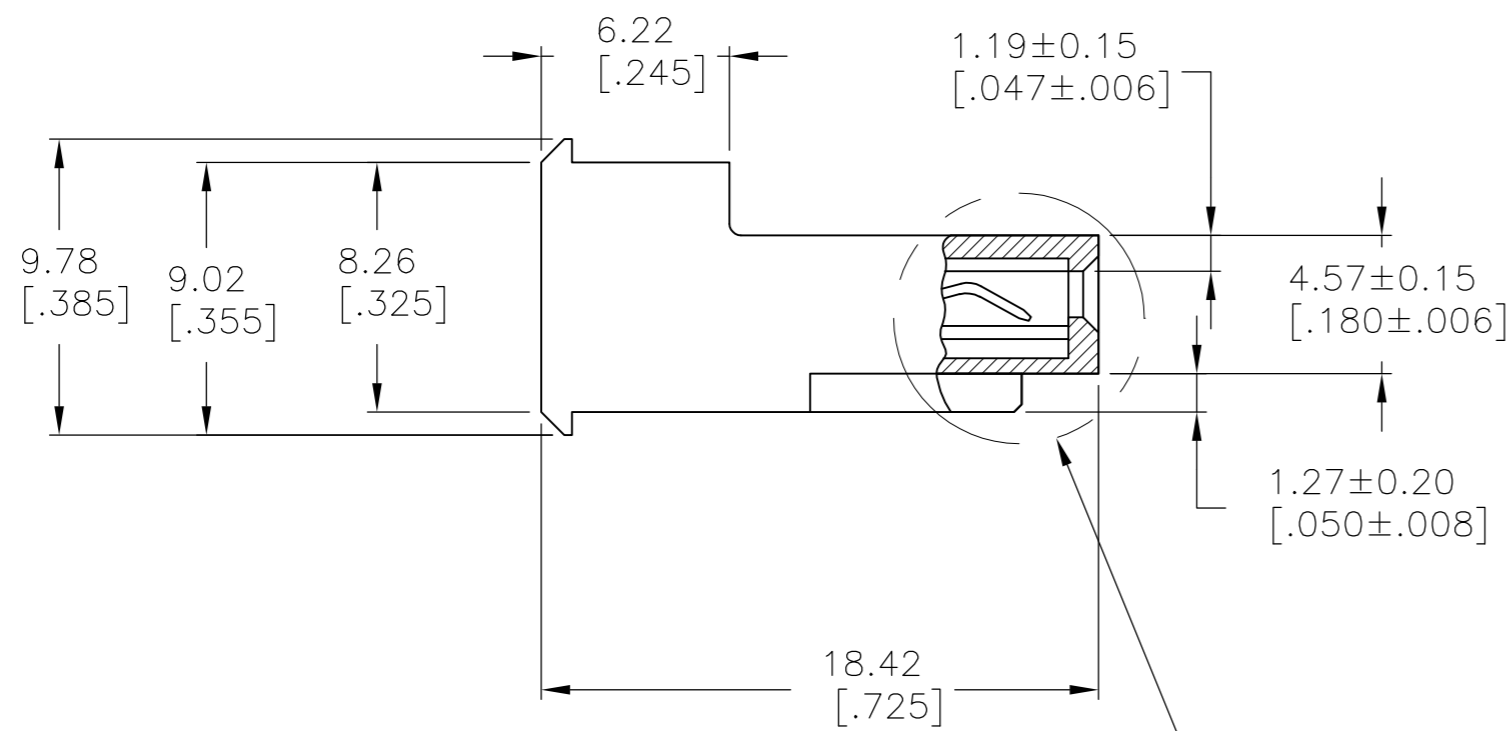
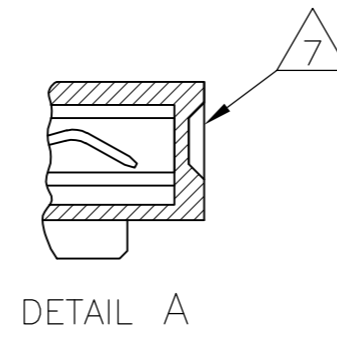
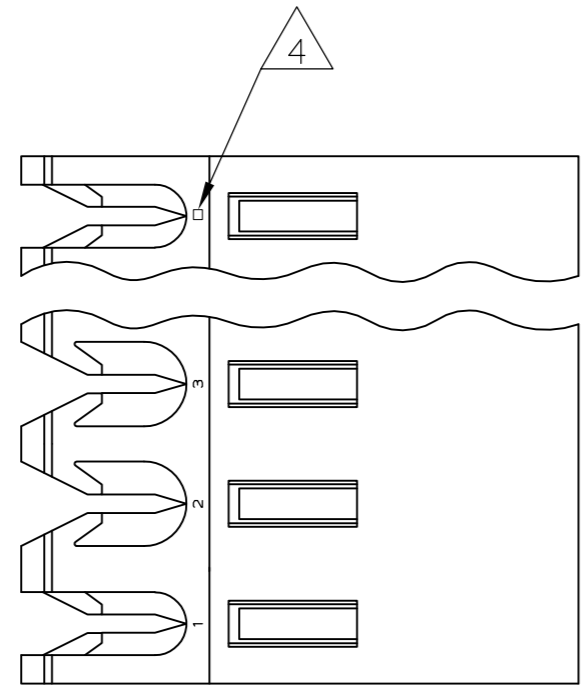


THIS DRAWING IS UNPUBLISHED. RELEASED FOR PUBLICATION
 © COPYRIGHT BY TYCO ELECTRONICS CORPORATION. ALL RIGHTS RESERVED.

LOC	DIST	REVISIONS					
CM	00	P	LTR	DESCRIPTION	DATE	DWN	APVD
		B		ECO-07-012896	26JUN07	KW	DB



SEE DETAIL A FOR CIRCUIT CLOSED

1 MATERIAL: CONNECTOR- NYLON UL94V-2 (RED).
 CONTACTS- 0.30[.012] THICK COPPER ALLOY BRIGHT TIN-LEAD
 0.00203[.000080] MIN THICK FOR -2 THRU -28
 -0.30[.012] THICK COPPER ALLOY MATTE WHISKER
 MITIGATED TIN 0.00203[.000080] MIN THICKNESS
 OVER NICKEL UNDERPLATE FOR -32 THRU -58.

- 2. CONTACTS ACCEPT 22 AWG WIRE WITH 2.41[.095] MAX INSULATION DIAMETER.
- 3. CONTACTS MUST ACCEPT 1.14±0.03[.045±.001] SQUARE POST AND REMAIN LOCKED IN POSITION.
- 4 IDENTIFICATION NUMBER FOR LAST CIRCUIT MAY NOT APPEAR ON ALL ASSEMBLIES.
- 5. DIMENSIONS IN BRACKETS ARE IN INCHES.
- 6. HOUSING FEATURES ARE: FEED-THRU WITHOUT LOCKING RAMP.

7 DETAIL "A" SHOWS A CIRCUIT MOLDED CLOSED.

FINISH	DIM A	NO OF CIRCUITS	PART NO
TIN	19.81 [.780]	5	3-647174-5
TIN-LEAD	19.81 [.780]	5	647174-5

THIS DRAWING IS A CONTROLLED DOCUMENT.

DWN B.LEWIS 06JAN98	Tyco Electronics Corporation Harrisburg, PA 17105-3608
CHK R.SWING 06JAN98	
APVD C.JONES 06JAN98	
PRODUCT SPEC 108-1051	
APPLICATION SPEC 114-1020	NAME MTA-156 CONNECTOR ASSEMBLY, 22 AWG, NO. 4 CIRCUIT CLOSED SPECIAL
MATERIAL 1	SIZE A2 CAGE CODE 00779 DRAWING NO C-647174 RESTRICTED TO -
FINISH 1	WEIGHT - SCALE 4:1 SHEET 1 OF 1 REV B

CUSTOMER DRAWING

