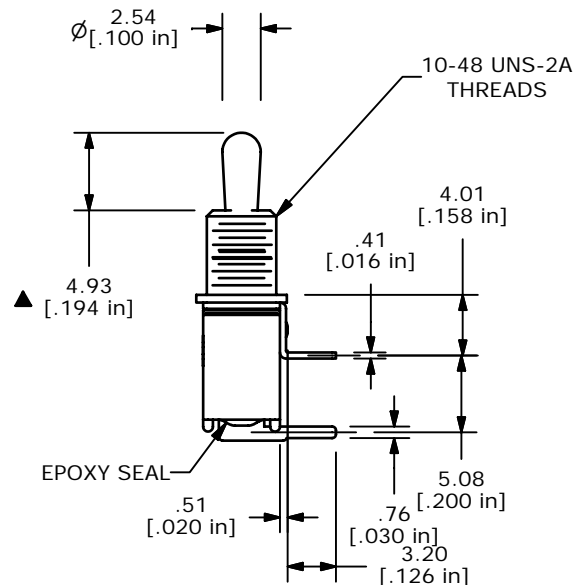
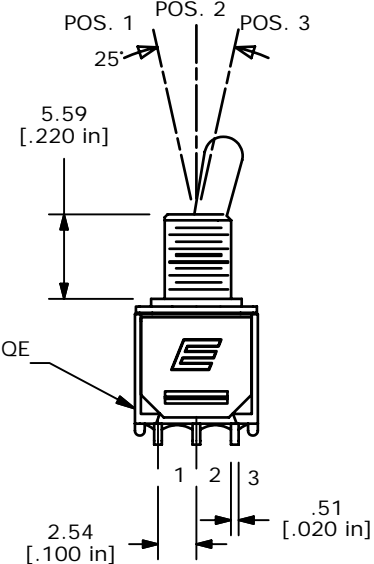


ISOMETRIC

SWITCH FUNCTION		
POS. 1	POS. 2	POS. 3
ON	OFF	(ON)
2-3	OPEN	2-1

(ON)=MOMENTARY



NOTE:

CIRCUIT: SPDT

1. ALL DIMENSIONS IN MM [INCH]
2. GENERAL TOLERANCE: X.X=±0.4
X.XX=±0.25
3. TERMINAL NUMBERS FOR REF ONLY
- ▲ 4. PLATING MATERIAL: SILVER
5. RATING: 3A@ 120VAC OR 28VDC
1A@ 250VAC
6. ELECTRIC LIFE: 30,000 MAKE-AND-BREAK CYCLES AT FULL LOAD.
7. INSULATION RESISTANCE: 1,000 MΩ MIN.
8. DIELECTRIC STRENGTH: 1,000 V RMS @SEA LEVEL.
9. OPERATING TEMP.: -30°C to 85°C
- ▲ 10. HARDWARE TO BE SHIPPED BULK
T200001 - HEXNUT - QTY 2
T200000 - LOCKWASHER - QTY 1
T200002 - LOCKRING - QTY 1
11. ▲ DENOTES CRITICAL PARAMETER.
12. 2002/95/EC (ROHS) COMPLIANT

200MSP5T2B1M6QE
(T205001)

E-SWITCH®

B	15613	CHANGED HEX NUT, ADD ROHS NOTE	12/16/05	PH
A	15027	RELEASED FOR PRODUCTION	6/24/05	JB
REV	PCR NO	DESCRIPTION	DATE	BY

TITLE 200MSP5T2B1M6QEH				
SCALE 2:1	DATE 6/24/2005	DR JB	DWG ST205001	REV B

THE INFORMATION CONTAINED IN THIS DOCUMENT IS PROPRIETARY TO E-SWITCH AND IS NOT TO BE COPIED OR TRANSFERRED