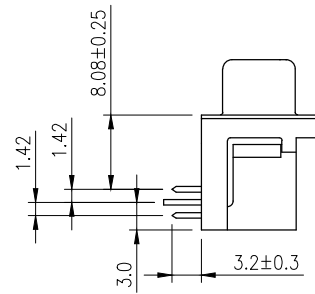
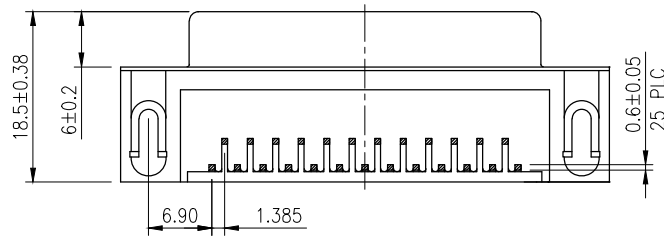
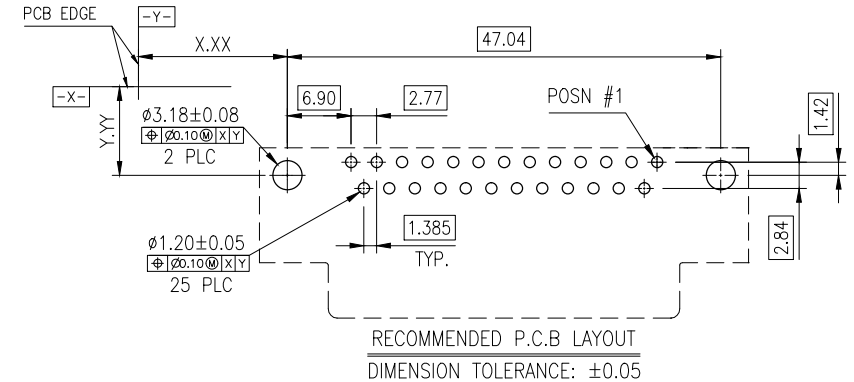
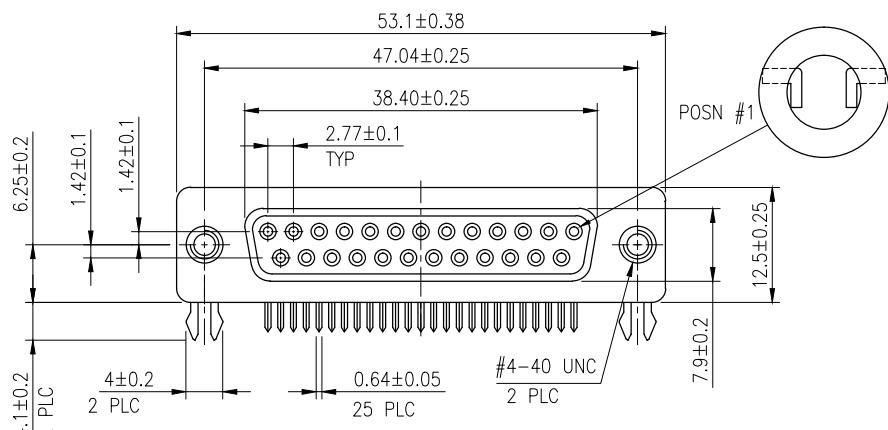
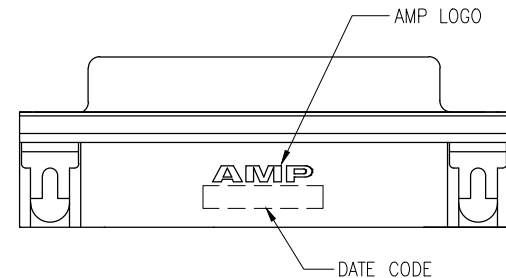
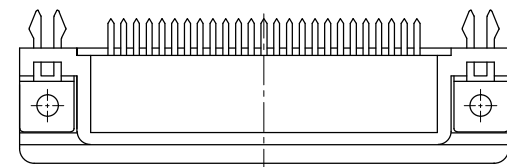


THIS DRAWING IS UNPUBLISHED. RELEASED FOR PUBLICATION
 COPYRIGHT BY ALL RIGHTS RESERVED.

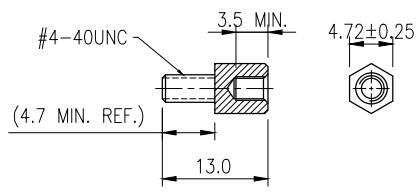
LOC		DIST		REVISIONS			DATE	DWN	APVD
P	LTR	DESCRIPTION							
	A2	REVISED PER ECR-14-000726			30APR14	S.C	H.L		



- NOTES:
- MATERIAL:
 - HOUSING: PBT OR NY9T, UL 94V-0 RATED, COLOR: SEE TABLE
 - CONTACTS: PHOSPHOR BRONZE
 - SHELL: SPCC
 - BOARDLOCKS: BRASS
 - RIVET: BRASS
 - FINISH:
 - CONTACT:
 - GOLD PLATING ON CONTACT AREA. (SEE TABLE)
 - 100µ" MIN. MATTE TIN PLATING ON SOLDER TAIL AREA,
 - 50µ" MIN. NICKEL UNDERPLATED OVERALL,
 - BOARDLOCK:
 - 100µ" MIN MATTE TIN PLATING
 - 50µ" MIN NICKEL UNDERPLATED OVERALL,
 - SHELL: NICKEL PLATING OVERALL
 - RIVET: NICKEL PLATING OVERALL
 - RECOMMENDED PCB THICKNESS: 1.6 mm
 - WAVE SOLDER CAPABLE TO 265°C, PER TE CONNECTIVITY SPEC. 109-202, CONDITION B.
 - THREADED INSERTS MUST WITHSTAND 6 IN-LBS TORQUE.



OBSOLETE	BURGUNDY 235C	NY9T	15µ"	2-	-6
			G/F	2-	-5
BLACK	PBT	NY9T	15µ"	2-	-1
			G/F	2-	-0
	PBT	NY9T	15µ"	1-	-2
			G/F	1-	-1
			G/F		1734350-1
	COLOR	HSG MATERIAL	COLD FINISH	PART NO.	

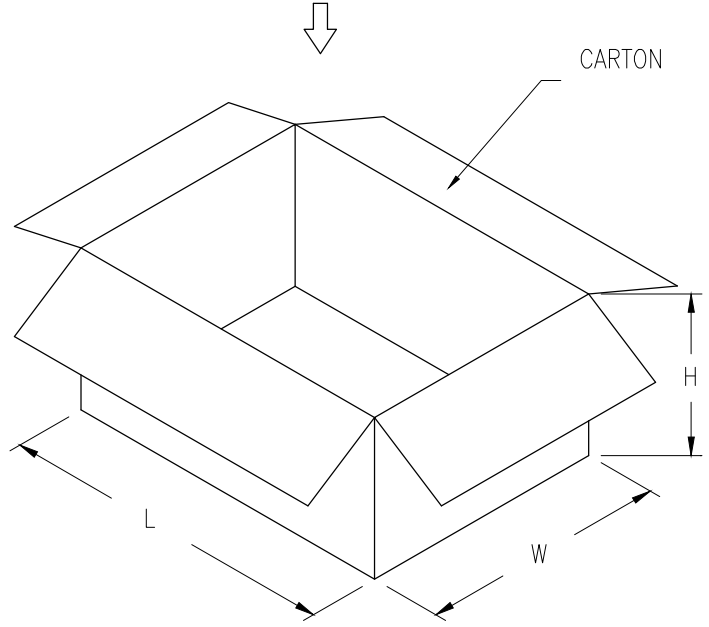
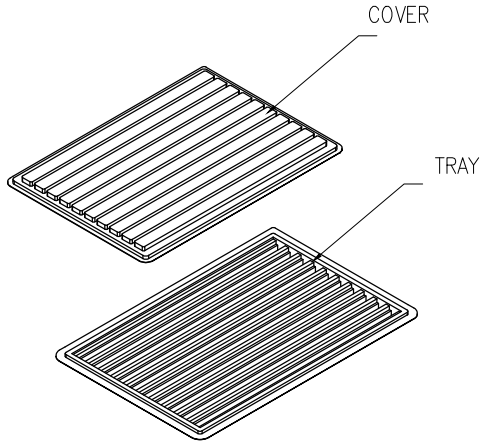
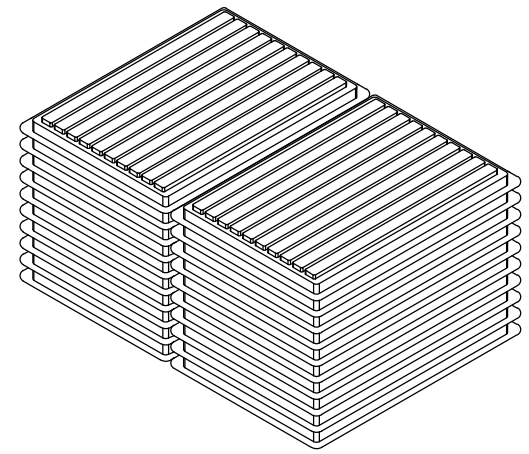


THIS PRODUCT EQUIPPED WITH NO SCREW
 RECOMMENDED OUTSOURCING SCREW TYPE

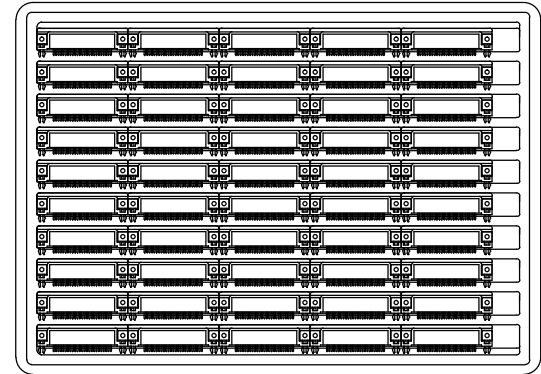
THIS DRAWING IS A CONTROLLED DOCUMENT.		DWN J. LEE 09MAR2007	TE Connectivity AMPLIMITE 8.08mm[0.318in] SERIES, R/A, RCPT, 25 POS		
DIMENSIONS: MM		CHK S. HOU 09MAR2007			
TOLERANCES UNLESS OTHERWISE SPECIFIED:		APVD W.J. KE 09MAR2007	NAME		
0 PLC ± - 1 PLC ± 0.38 2 PLC ± 0.25 3 PLC ± 0.15 4 PLC ± - ANGLES ± -		PRODUCT SPEC 108-57541	QUALIFICATION TEST REPORT		
MATERIAL SEE NOTE		FINISH SEE NOTE	WEIGHT 7.0 GRAMS	SIZE A3	CAGE CODE 00779
		DRAWING NO C-1734350		RESTRICTED TO	
		CUSTOMER DRAWING		SCALE	SHEET 1 OF 2
				REV A2	

THIS DRAWING IS UNPUBLISHED. RELEASED FOR PUBLICATION
 © COPYRIGHT BY ALL RIGHTS RESERVED.

LOC		DIST		REVISIONS			
P	LTR	DESCRIPTION		DATE	DWN	APVD	
		SEE SHEET 1.					



- NOTES:
- MATERIAL:
 - 1.1 TRAY: PVC
 - 1.2 SHIPPING CARTON: CORRUGATED FIBERBOARD
 - DIMENSION:
 - 2.1 TRAY: L=306, W=217, H=15
 - 2.2 SHIPPING CARTON: L=440, W=321, H=210
 - QUANTITY:
 - 3.1 PRIMARY PACKING: 50 PCS/TRAY
 - 3.2 THIRD PACKING: 20 TRAY/CARTON(1,000PCS)
 - WEIGHT:
 - 4.1 NET WEIGHT: 7.0 Kg
 - 4.2 GROSS WEIGHT: 8.0 Kg



THIS DRAWING IS A CONTROLLED DOCUMENT.		DWN			
DIMENSIONS: MM		CHK	NAME		
		APVD	AMPLIMITE 8.08mm[0.318in] SERIES, R/A, RCPT, 25 POS		
TOLERANCES UNLESS OTHERWISE SPECIFIED:		PRODUCT SPEC		SIZE	RESTRICTED TO
0 PLC ± -		APPLICATION SPEC		CAGE CODE	DRAWING NO
1 PLC ± -		WEIGHT		A3	00779
2 PLC ± -		CUSTOMER DRAWING		C=	1734350
3 PLC ± -		SCALE		SHEET 2 of 2	
4 PLC ± -		REV		A2	
ANGLES ± -					
MATERIAL					
FINISH					