

THIS DRAWING IS UNPUBLISHED. RELEASED FOR PUBLICATION
 © COPYRIGHT BY TYCO ELECTRONICS CORPORATION. ALL INTERNATIONAL RIGHTS RESERVED.


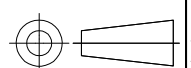
LOC	DIST	REVISIONS					
GP	00	P	LTR	DESCRIPTION	DATE	DWN	APVD
		C		REV PER ECO-09-000617	27JAN2009	RG	PD

CONNECTOR	CONFIGURATION REF #	CONTACT	POSITION	CONTACT PITCH	VOLTAGE RATING*
PIN	MPK003	SIGNAL	9-32	2.50 [1.098]	60 VOLTS
		POWER	1-2, 3-4 5-6, 7-8	4.50 [1.77]	COMMON

- PART NUMBER CHANGES AND OR DESIGN CHANGES AFFECTING ITEM INTERCHANGEABILITY REQUIRE PRIOR TYCO ELECTRONICS APPROVAL AND AUTHORIZATION BY REVISION TO THIS DRAWING.
- MATERIALS:
 - INSULATORS: THERMOPLASTIC, GLASS REINFORCED, COLOR BLACK. UL94V-0 FLAMMABILITY RATED.
 - SIGNAL CONTACTS: BRASS ALLOY.
 - POWER CONTACTS: COPPER ALLOY.
- FINISHES:
 - CONTACT PLATING: GOLD PLATE 0.76µm MIN. THK OVER NICKEL 1.27µm MIN THK.
 - TERMINALS: TIN PLATE 2.54µm MIN THK OVER NICKEL 1.27µm MIN THK.
- ITEMS PROVIDED TO THIS SPECIFICATION TO BE PERMANENTLY IDENTIFIED PER THE FOLLOWING IDENTIFIER.

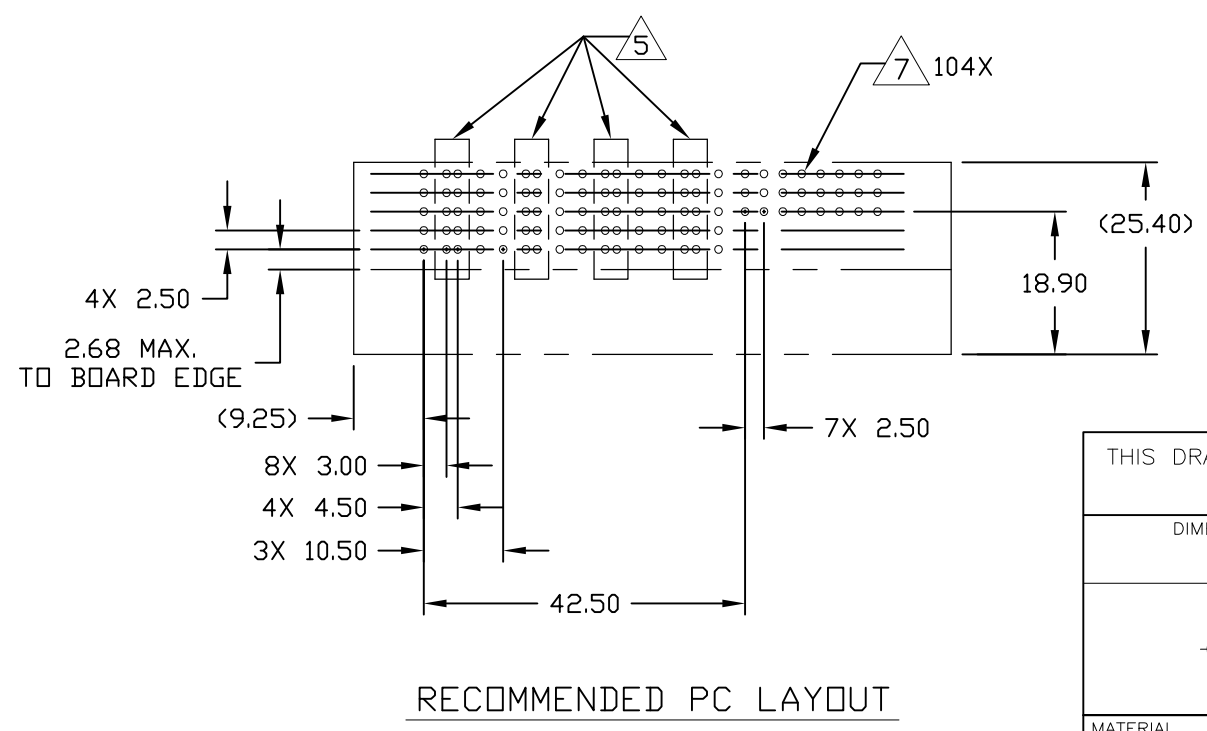
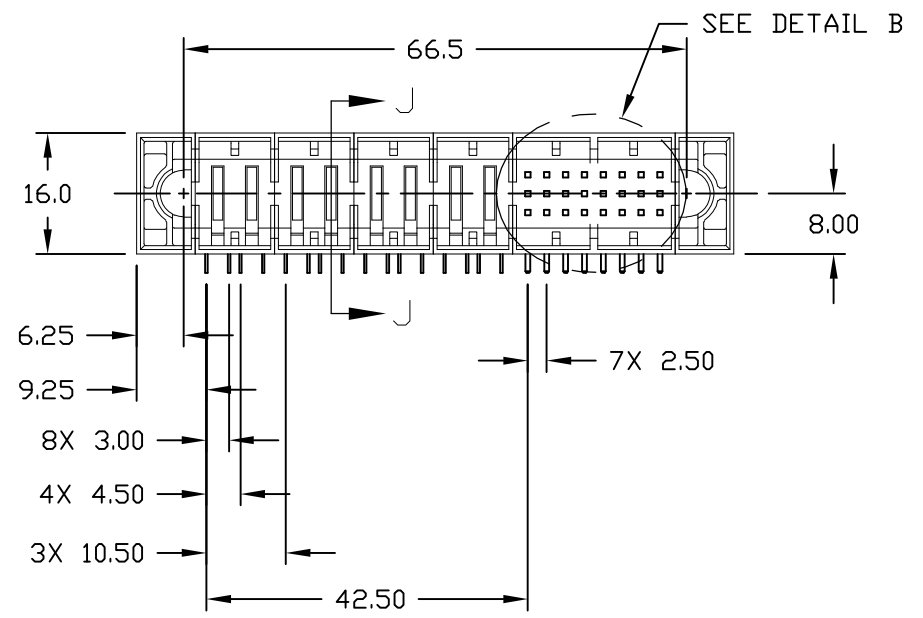
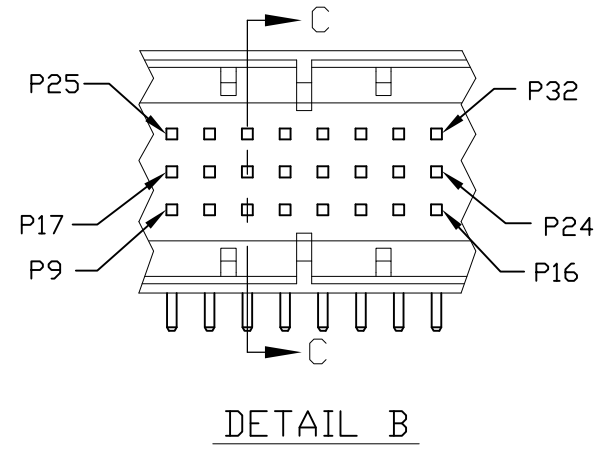
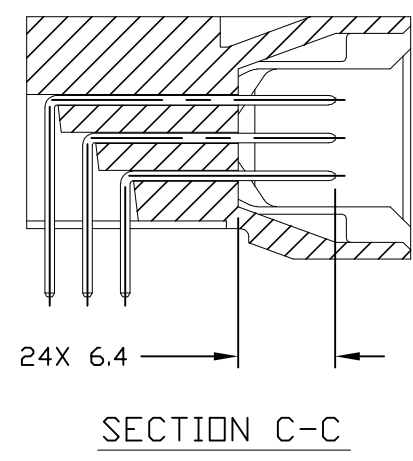
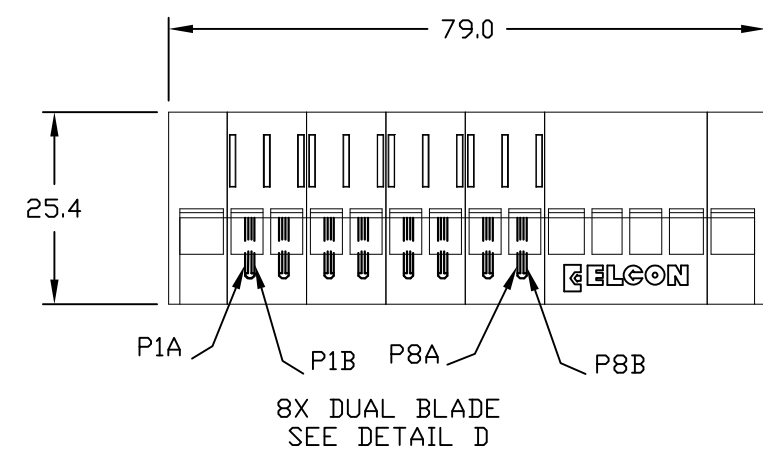
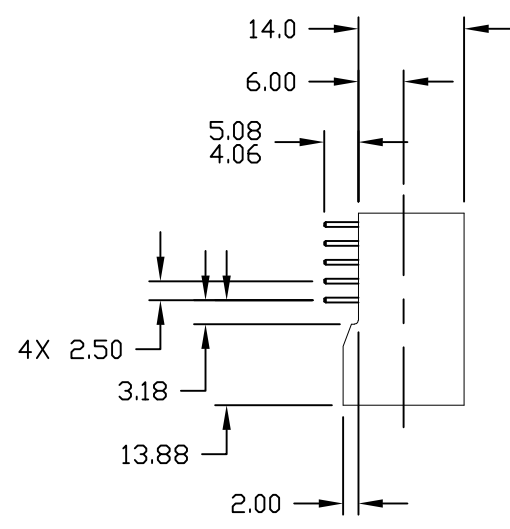
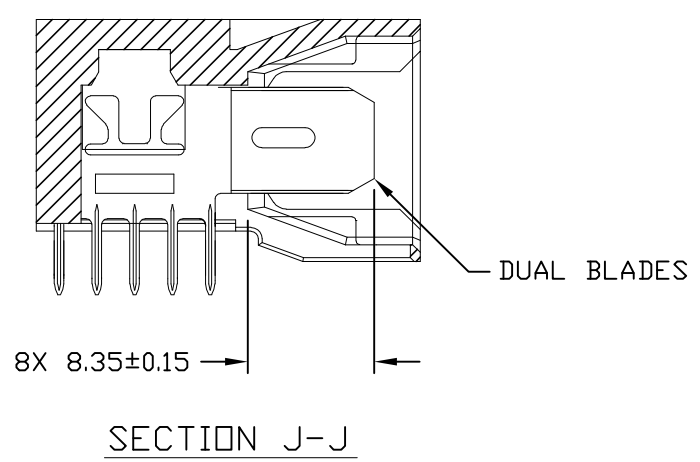
YEAR WEEK
 TYCO ELECTRONICS P/N DATE CODE (e.g. 0522)
 XXXXXXXX-X XXXX

5 PINS INTERNAL TO DASHED LINE ARE SHORTED TO EACH OTHER.
 1B IS SHORTED TO 2A.
 3B IS SHORTED TO 4A.
 5B IS SHORTED TO 6A.
 7B IS SHORTED TO 8A.

THIS DRAWING IS A CONTROLLED DOCUMENT.		DWN 12/23/05 RFA/GRZYBOWSKI	 Tyco Electronics Corporation Harrisburg, PA 17105-3608	
DIMENSIONS: mm		CHK P.DAMATO	NAME	
		APVD 12/23/05 CHAU/PERCHERKE	PIN CONNECTOR ASSEMBLY RIGHT ANGLE, SOLDER TAIL MINIPAK	
TOLERANCES UNLESS OTHERWISE SPECIFIED:		PRODUCT SPEC	RESTRICTED TO	
0 PLC ± - 1 PLC ± .5 2 PLC ± .25 3 PLC ± - 4 PLC ± - ANGLES ± .5		APPLICATION SPEC	SIZE A3	CAGE CODE 00779
MATERIAL -		WEIGHT -	DRAWING NO C-1926017	
FINISH -		CUSTOMER DRAWING		SCALE 1:1
				SHEET 1 OF 3
				REV C

THIS DRAWING IS UNPUBLISHED. RELEASED FOR PUBLICATION
 © COPYRIGHT BY TYCO ELECTRONICS CORPORATION. ALL INTERNATIONAL RIGHTS RESERVED.

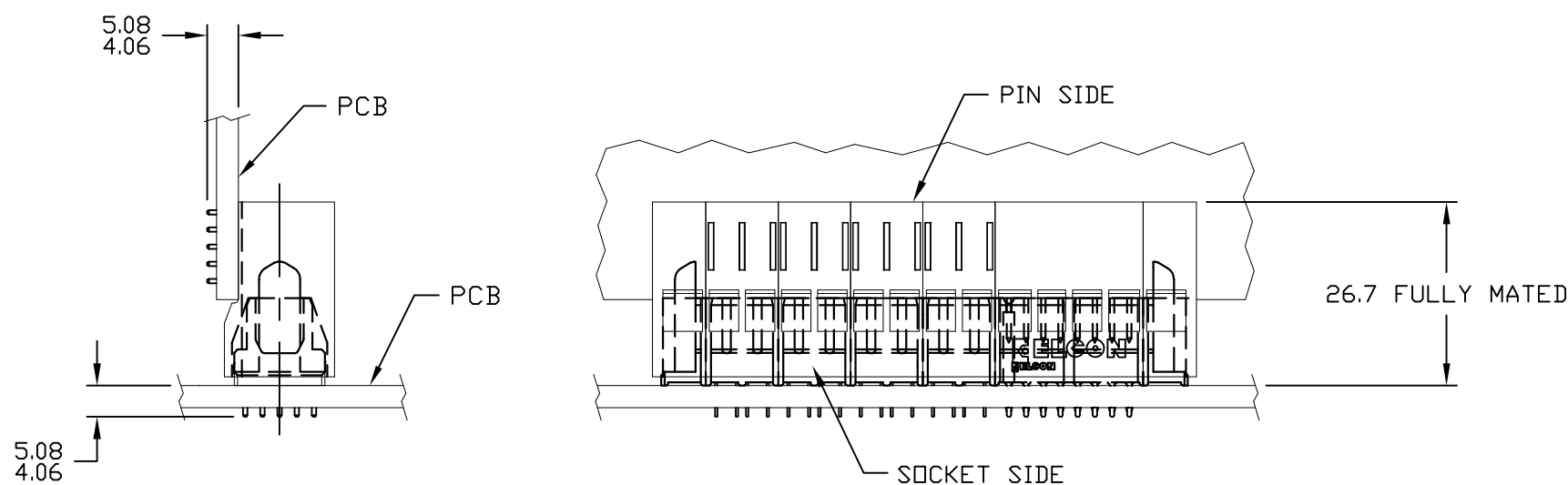
LOC	DIST	REVISIONS					
GP	00	P	LTR	DESCRIPTION	DATE	DWN	APVD
		-		SEE SHEET 1	-	-	-



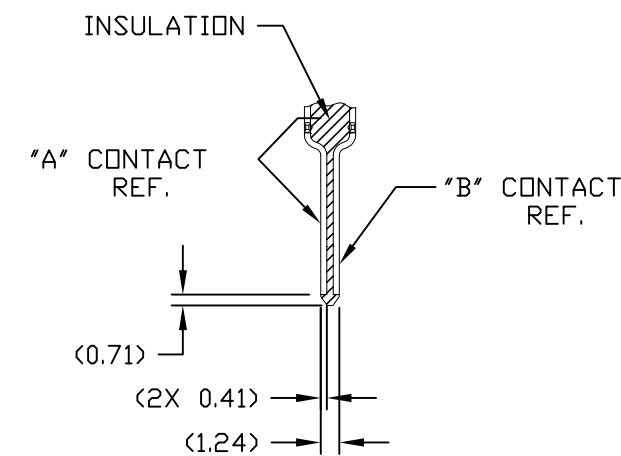
THIS DRAWING IS A CONTROLLED DOCUMENT.		DWN 12/23/05 RFA/GRZYBOWSKI	Tyco Electronics Corporation Harrisburg, PA 17105-3608	
DIMENSIONS: mm		CHK P.DAMATO	NAME	
TOLERANCES UNLESS OTHERWISE SPECIFIED:		APVD 12/23/05 CHAU/PERCHERKE	PIN CONNECTOR ASSEMBLY RIGHT ANGLE, SOLDER TAIL MINIPAK	
MATERIAL		PRODUCT SPEC	SIZE	RESTRICTED TO
FINISH		APPLICATION SPEC	CAGE CODE	
		WEIGHT	DRAWING NO	
		A3 00779 C-1926017		
		CUSTOMER DRAWING	SCALE 1:1	SHEET 2 OF 3
				REV C

THIS DRAWING IS UNPUBLISHED. RELEASED FOR PUBLICATION
 © COPYRIGHT - BY TYCO ELECTRONICS CORPORATION. ALL INTERNATIONAL RIGHTS RESERVED.

LOC	DIST	REVISIONS					
GP	00	P	LTR	DESCRIPTION	DATE	DWN	APVD
		-		SEE SHEET 1	-	-	-



MATED CONDITION



DETAIL D

DETAIL A

7 SOLDER TERMINATION AREA
 RECOMMENDED PRINTED CIRCUIT HOLE

FINISHED HOLE: $\phi 1.02 \pm 0.08$
 DRILLED HOLE: $\phi 1.15 \pm 0.013$
 COPPER PLATE: .025-.050 MINIMUM (PER SURFACE)
 TIN PLATE: .0005 MINIMUM (PER SURFACE)

THIS DRAWING IS A CONTROLLED DOCUMENT.		DWN	12/23/05	Tyco Electronics Corporation	
		CHK	-	Harrisburg, PA 17105-3608	
		APVD	12/23/05	NAME	
		PRODUCT SPEC	-	PIN CONNECTOR ASSEMBLY	
		APPLICATION SPEC	-	RIGHT ANGLE, SOLDER TAIL	
		WEIGHT	-	MINIPAK	
		CUSTOMER DRAWING		SIZE	RESTRICTED TO
				A3	-
				CAGE CODE	DRAWING NO
				00779	C-1926017
				SCALE	SHEET
				1:1	3 OF 3
				REV	C