

SAFETY ORGANIZATION(S).

THIS FILTER HAS BEEN FORMALLY RECOGNIZED, CERTIFIED OR APPROVED BY THE LISTED AGENCY. THEREFORE, ALL TEST/REQUIREMENTS SPECIFIED IN THE LATEST REVISION OF THE FOLLOWING AGENCY STANDARDS HAVE BEEN MET.

UL RECOGNIZED  
 CSA CERTIFIED  
 VDE APPROVED

UL 544  
 CSA 22-2, NO. 0, 0.4, 8  
 VDE 0565-3, 0625

OPERATING SPECIFICATIONS.

LINE VOLTAGE/CURRENT,  
 10 AMP., 120/250 VAC  
 10 AMP./40°C, 250 VAC

LINE FREQUENCY,  
 50-60Hz  
 30°C  
 MAX. CASE RISE @ RATED CURRENT,  
 2mA at 120V 60 Hz  
 MAX. LEAKAGE CURRENT, EACH  
 LINE TO GROUND  
 5µA at 250V 50 Hz  
 OPERATING AMBIENT TEMP. RANGE,  
 -10°C TO +40°C @ RATED CURRENT, I<sub>r</sub>

IN AN AMBIENT, T<sub>a</sub>, HIGHER THAN 40°C, THE MAXIMUM OPERATING CURRENT, I<sub>o</sub>, IS AS FOLLOWS,

$$I_o = I_r \sqrt{\frac{85 - T_a}{45}}$$

RELIABILITY SPECIFICATIONS.

STORAGE TEMPERATURE,  
 -40°C TO +85°C  
 HUMIDITY,  
 21 DAYS @ 40°C 95% RH  
 CURRENT OVERLOAD TEST,  
 6 TIMES RATED CURRENT FOR 8 SECONDS

TEST SPECIFICATIONS.

INDUCTANCE,  
 .35 mH NOMINAL  
 CAPACITANCE, (MEASURED @ 1 KHz, 0.25 VAC MAX., 25°C ±1°C)  
 ZERO  
 LINE TO GROUND,  
 .009µF ±20%  
 DISCHARGE RESISTOR,  
 1.5 MΩ  
 LINE/GROUND AND LINE/LINE  
 INSULATION RESISTANCE  
 (W/O DISCHARGE RESISTOR)  
 6000 MΩ (MIN) AT 100 VDC  
 20°C AND 50% RH

RECOMMENDED RECEIVING INSPECTION HIPOT.

LINE TO GROUND,  
 1500 VAC FOR 1 MINUTE  
 LINE TO LINE,  
 1450 VDC FOR 1 MINUTE

FILTER APPROVAL,  
 THE BEST WAY TO SELECT AND QUALIFY A FILTER IS FOR YOUR ENGINEERING TO TEST THE UNIT IN YOUR EQUIPMENT.

TOLERANCE EXCEPT AS NOTED

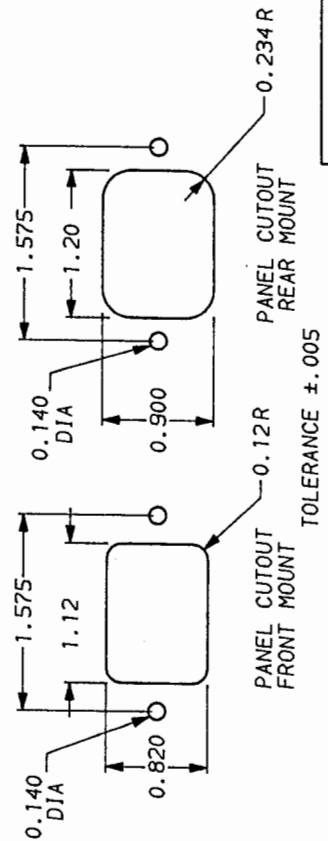
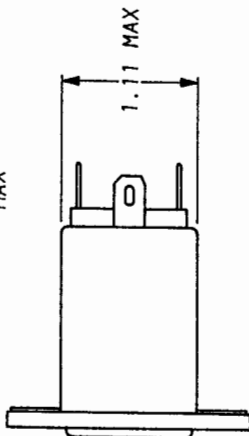
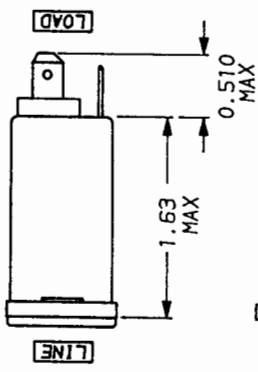
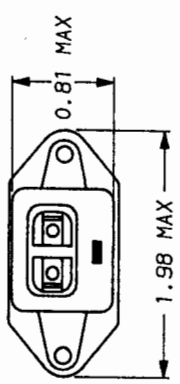
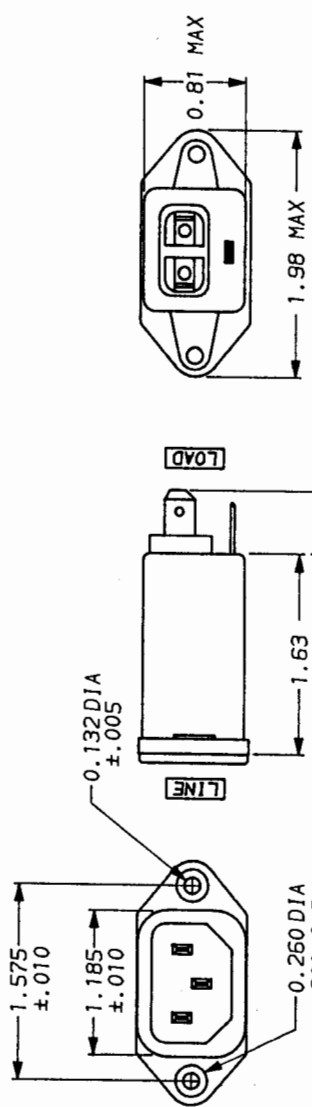
DECIMAL: .XXX .XX .X ANGLES  
 ENGLISH: ±.025  
 METRIC: ±

MATERIAL:

AS SUPPLIED

FINISH:

AS SUPPLIED



50μ - 50μ (MINIMUM) INSERTION LOSS

FREQUENCY MHZ	.10	.15	.50	1	1.5	5	10	30
COMMON	1	5	9	12	12	12	12	12
DIFF.	-	-	-	1	5	15	22	27

This document is proprietary to CORCOM INC. and is not to be reproduced nor used for manufacturing purposes except on CORCOM's order or prior written consent.



**POWER LINE FILTER**

SCALE	DATE	DRG. NO.	REV.
NTS	9-19-91		10EAH1.01
DRW. BY	ORIGINATOR		
CFW	CFW		

\*RESISTOR ADDED TO PRODUCT BUILT AFTER 3-30-92 (9212).