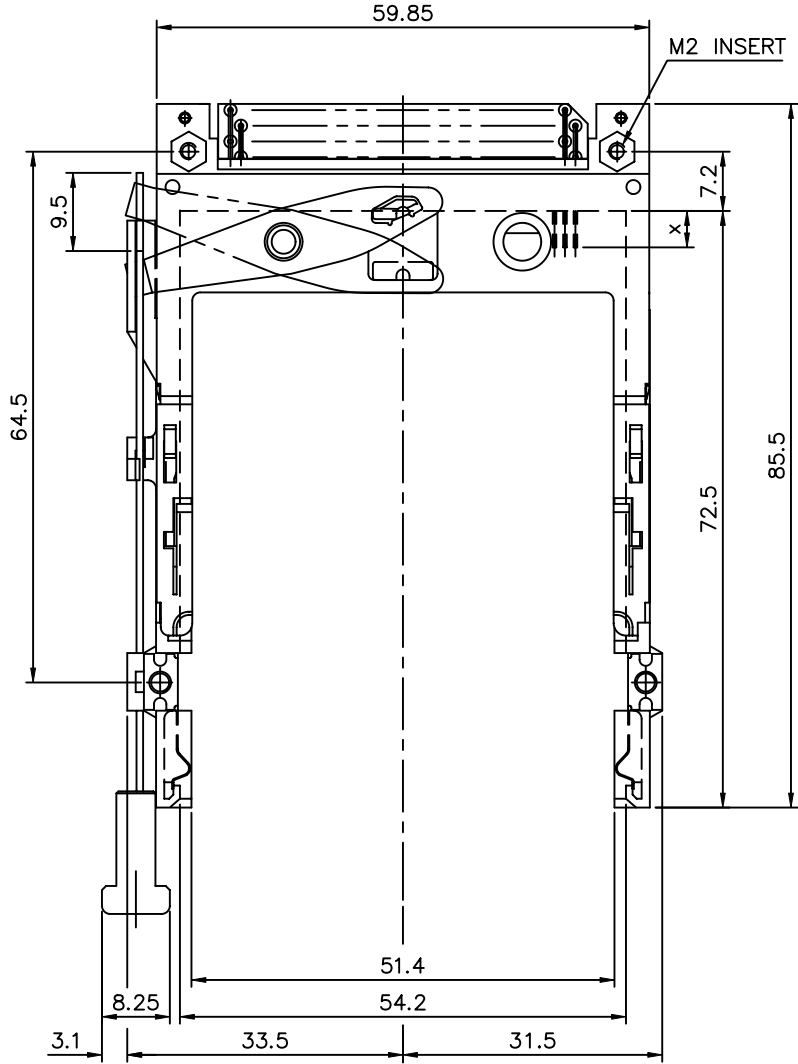
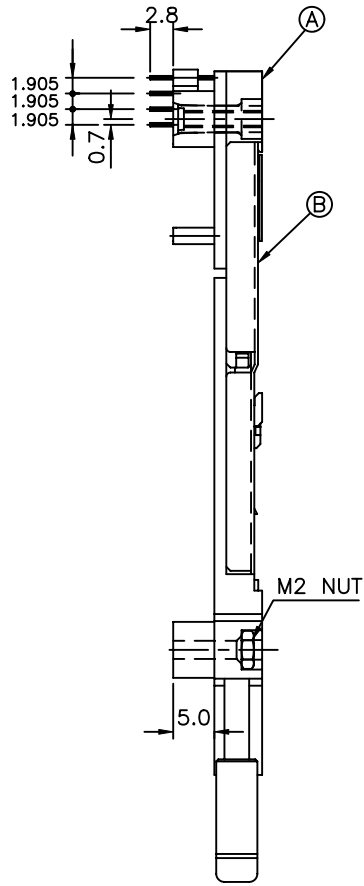


PRODUCT NO.  
61573-150CA

Tous droits strictement réservés. Reproduction ou communication à des tiers sans autorisation écrite du propriétaire.  
Droits de reproduction BERG ELECTRONICS by

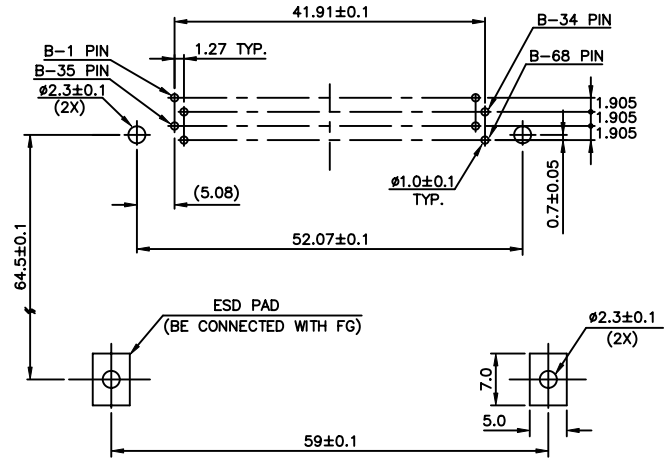
All rights strictly reserved. Reproduction or issue to third parties in any form without the written authority from the proprietor.  
Copyright BERG ELECTRONICS by



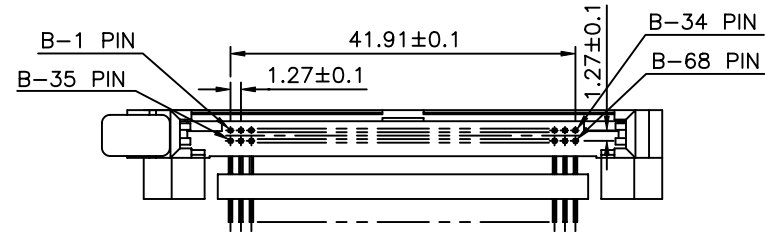
NOTES:

- EJECT FORCE : 3.5 Kg MAX.
- EJECT TRAVEL: 8.0mm
- MATERIAL
  - PART A (HEADER ASS'Y)  
PLASTIC : HOUSING ...LCP UL94V-O BLACK  
LOCATOR ...G.F. 6/6 NYLON UL94-VO BLACK  
PIN : PHOSPHOR BRONZE
  - PART B (EJECT MECHANISM ASS'Y)  
PLASTIC : GUIDE: POLYPHTHARAMID UL94V-O BLACK  
BUTTON: POLYPHTHARAMID UL94V-O BLACK  
PLATE : STAINLESS  
EMI CONTACT: PHOSPHOR BRONZE
- FINISH (PIN)  
UNDER PLATING : 0.5 μm MIN. Ni  
CONTACT AREA : 0.1 μm MIN. GOLD OVER 0.5 μm MIN. Pd-Ni  
SOLDER TAIL : 2.5 μm MIN. Sn-Pb
- DIM "X"

4.25±0.1	3.5±0.1	5.0±0.1
OTHERS	36,67	1,17,34,35,51,68



4 CARD INSERTION DIRECTION



USE THE FOLLOWING P/N FOR OFFICIAL ORDERING

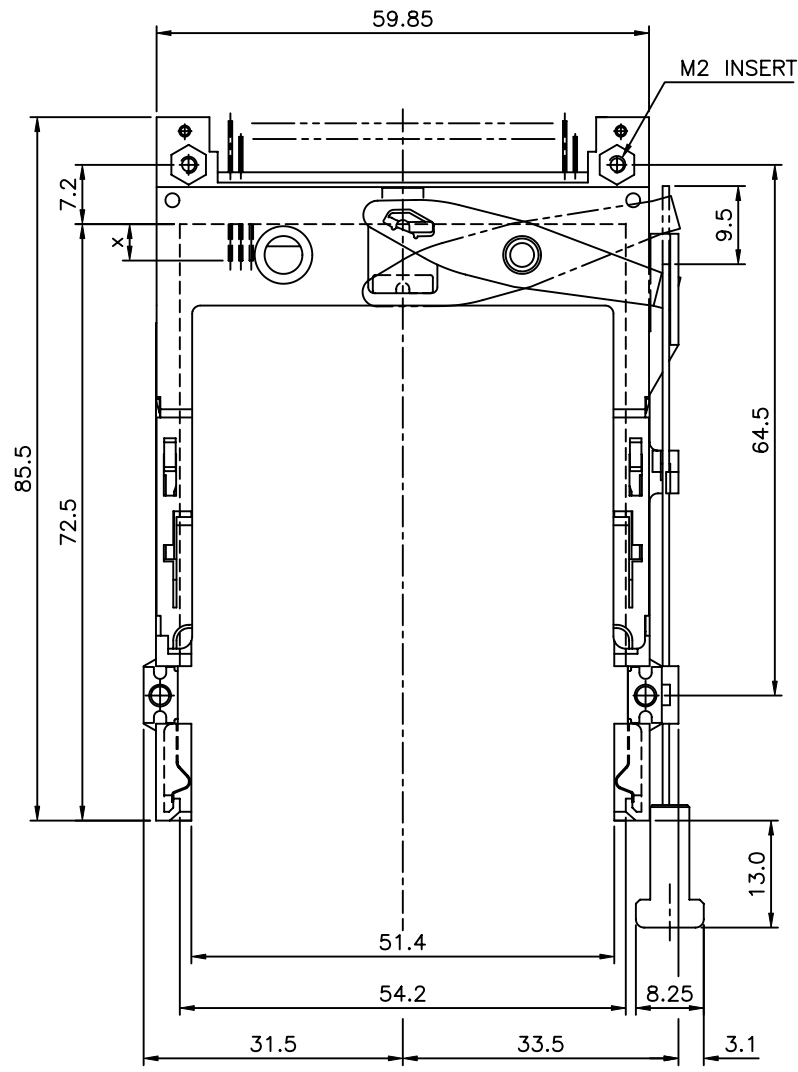
B	EJECT MECH ASS'Y	95627-15CA
A	HDR ASS'Y	92856-020
DESCRIPTION	P/N	

mat'l code		tolerance unless otherwise specified		CUSTOMER COPY		FCI ELECTRONICS	
rev.	ecn no.	dr	date	linear	±0.30	projection	title
B	T70083	C M	03/03/97				NARROW BODY FRONT EJECT
C	T70304	W L	07/20/97				TYPE 1/2/3 EJECTOR ASS'Y
D	T80430	W L	09/24/98	angles	± 2°		
E	T80516	W L	11/10/98	dr	SHIRLEY HSU	09/03/96	unit
F	T90015	W L	01/14/99	engr	JOSEPH HSIA	09/03/96	mm/inch
G	T90291	W L	08/05/99	chr	JOSEPH HSIA	09/03/96	scale
H	T00133	W L	05/04/00	appd	JENN TSAO	09/03/96	1.5:1
sheet	revision	H	G	G	G	G	G
index	sheet	1	2	3	4	5	6

PRODUCT NO.  
61573-600CA

Tous droits strictement réservés. Reproduction ou communication à des tiers sans autorisation écrite du propriétaire.  
Droits de reproduction BERG ELECTRONICS by

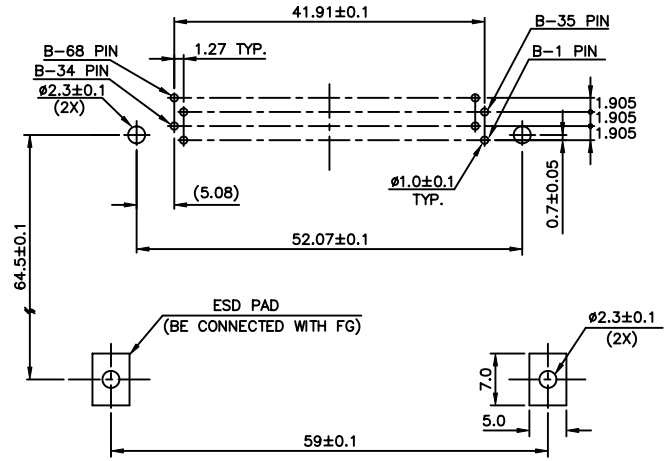
All rights strictly reserved. Reproduction or issue to third parties in any form without the written authority from the proprietor.  
Copyright BERG ELECTRONICS by



NOTES:

- EJECT FORCE : 3.5 Kg MAX.
- EJECT TRAVEL: 8.0mm
- MATERIAL
  - PART (A) (HEADER ASS'Y)  
PLASTIC : HOUSING ...LCP UL94V-0 BLACK  
PIN : PHOSPHOR BRONZE
  - PART (B) (EJECT MECHANISM ASS'Y)  
PLASTIC : GUIDE: POLYPHTHARAMID UL94V-0 BLACK  
BUTTON: POLYPHTHARAMID UL94V-0 BLACK  
PLATE : STAINLESS  
EMI CONTACT: PHOSPHOR BRONZE
- FINISH (PIN)  
UNDER PLATING : 0.5 μm MIN. Ni  
CONTACT AREA : 0.1 μm MIN. GOLD OVER 0.5 μm MIN. Pd-Ni  
SOLDER TAIL : 2.5 μm MIN. Sn-Pb
- DIM "X"

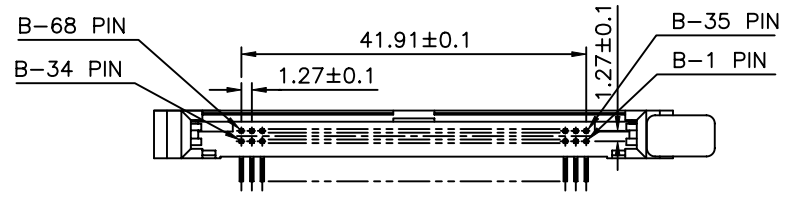
4.25±0.1	3.5±0.1	5.0±0.1
OTHERS	36,67	1,17,34,35,51,68



4 CARD INSERTION DIRECTION

USE THE FOLLOWING P/N FOR OFFICIAL ORDERING

(B)	EJECT MECH ASS'Y	95627-00CA
(A)	HDR ASS'Y	92856-500
DESCRIPTION	P/N	

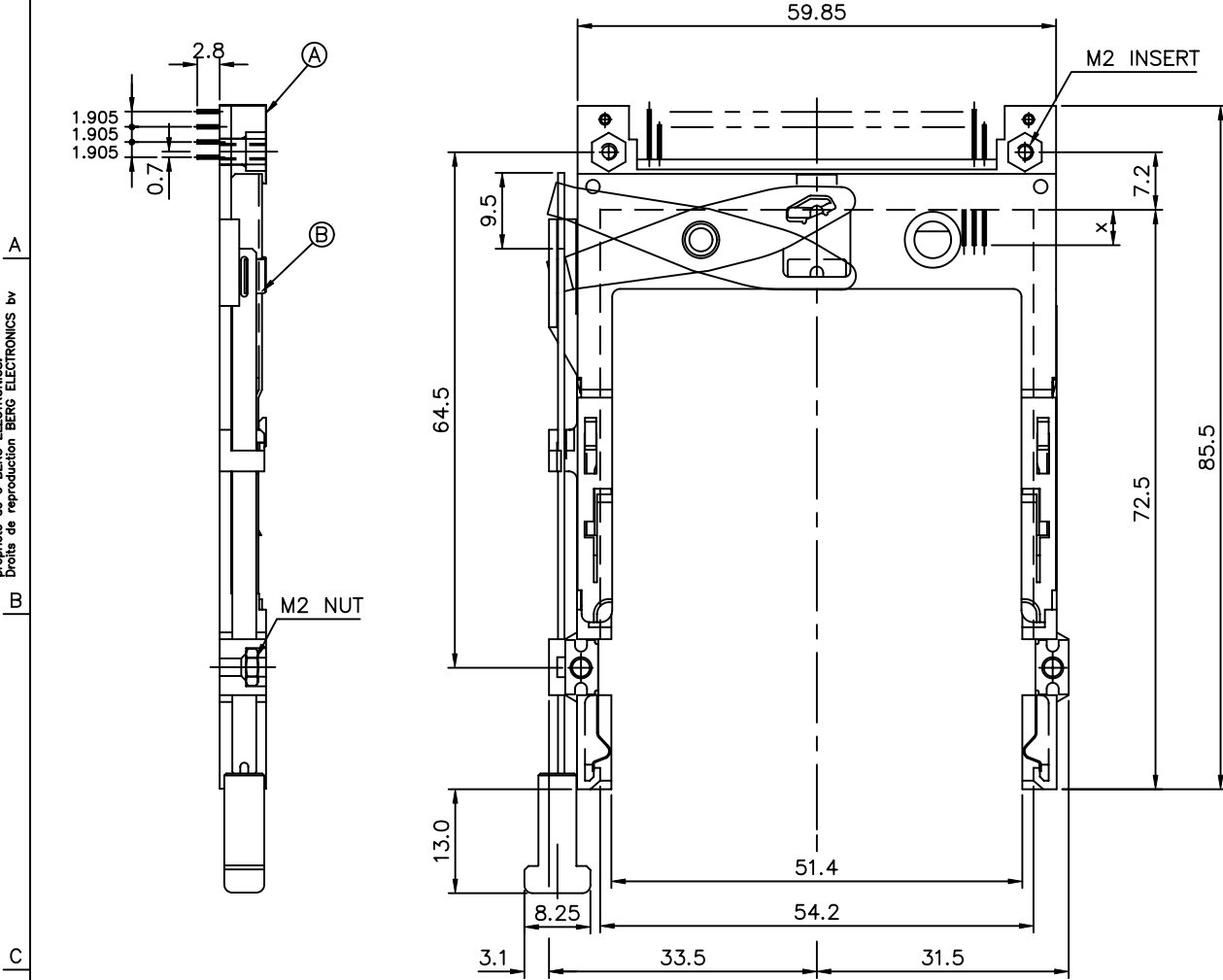


mat'l code		tolerance unless otherwise specified		CUSTOMER COPY	FCI ELECTRONICS	
rev.	ecn no.	dr	date	linear	±0.30	projection
G				angles	± 2°	title
				dr SHIRLEY HSU 09/03/96	unit	NARROW BODY FRONT EJECT TYPE 1/2/3 EJECTOR ASS'Y
				enr JOSEPH HSIA 09/03/96	mm/inch	product family : PCMCIA
				chr JOSEPH HSIA 09/03/96	scale	size dwg no.
				appd JENN TSAO 09/03/96	1.5:1	A3 61573
sheet	revision					code
index	sheet					TWN
						sheet
						2 OF

PRODUCT NO.  
61573-500CA

Tous droits strictement réservés. Reproduction ou communication à des tiers sans autorisation écrite du propriétaire.  
Droits de reproduction BERG ELECTRONICS by

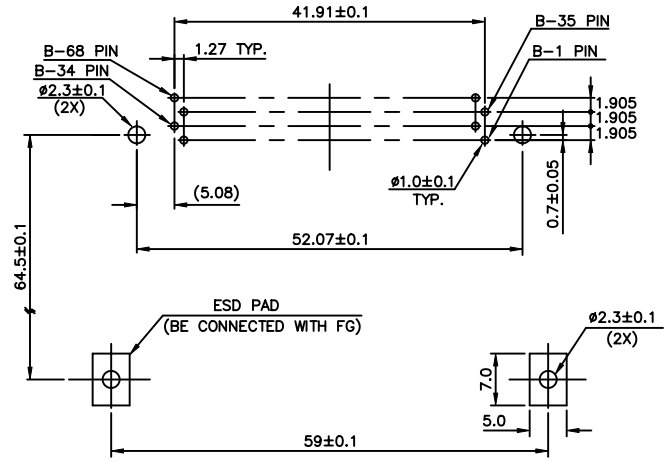
All rights strictly reserved. Reproduction or issue to third parties in any form without the written authority from the proprietor.  
Copyright BERG ELECTRONICS by



NOTES:

- EJECT FORCE : 3.5 Kg MAX.
- EJECT TRAVEL: 8.0mm
- MATERIAL
  - PART (A) (HEADER ASS'Y)  
PLASTIC : HOUSING ...LCP UL94V-0 BLACK  
PIN : PHOSPHOR BRONZE
  - PART (B) (EJECT MECHANISM ASS'Y)  
PLASTIC : GUIDE: POLYPHTHARAMID UL94V-0 BLACK  
: BUTTON: POLYPHTHARAMID UL94V-0 BLACK  
PLATE : STAINLESS  
EMI CONTACT: PHOSPHOR BRONZE
- FINISH (PIN)  
UNDER PLATING : 0.5 um MIN. Ni  
CONTACT AREA : 0.1 um MIN. GOLD OVER 0.5 um MIN. Pd-Ni  
SOLDER TAIL : 2.5 um MIN. Sn-Pb
- DIM "X"

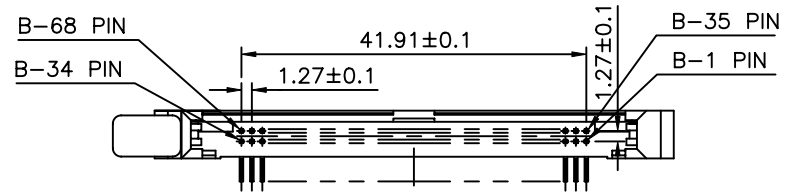
4.25±0.1	3.5±0.1	5.0±0.1
OTHERS	36,67	1,17,34,35,51,68



4 CARD INSERTION DIRECTION

USE THE FOLLOWING P/N FOR OFFICIAL ORDERING

(B)	EJECT MECH ASS'Y	95627-10CA
(A)	HDR ASS'Y	92856-500
DESCRIPTION	P/N	

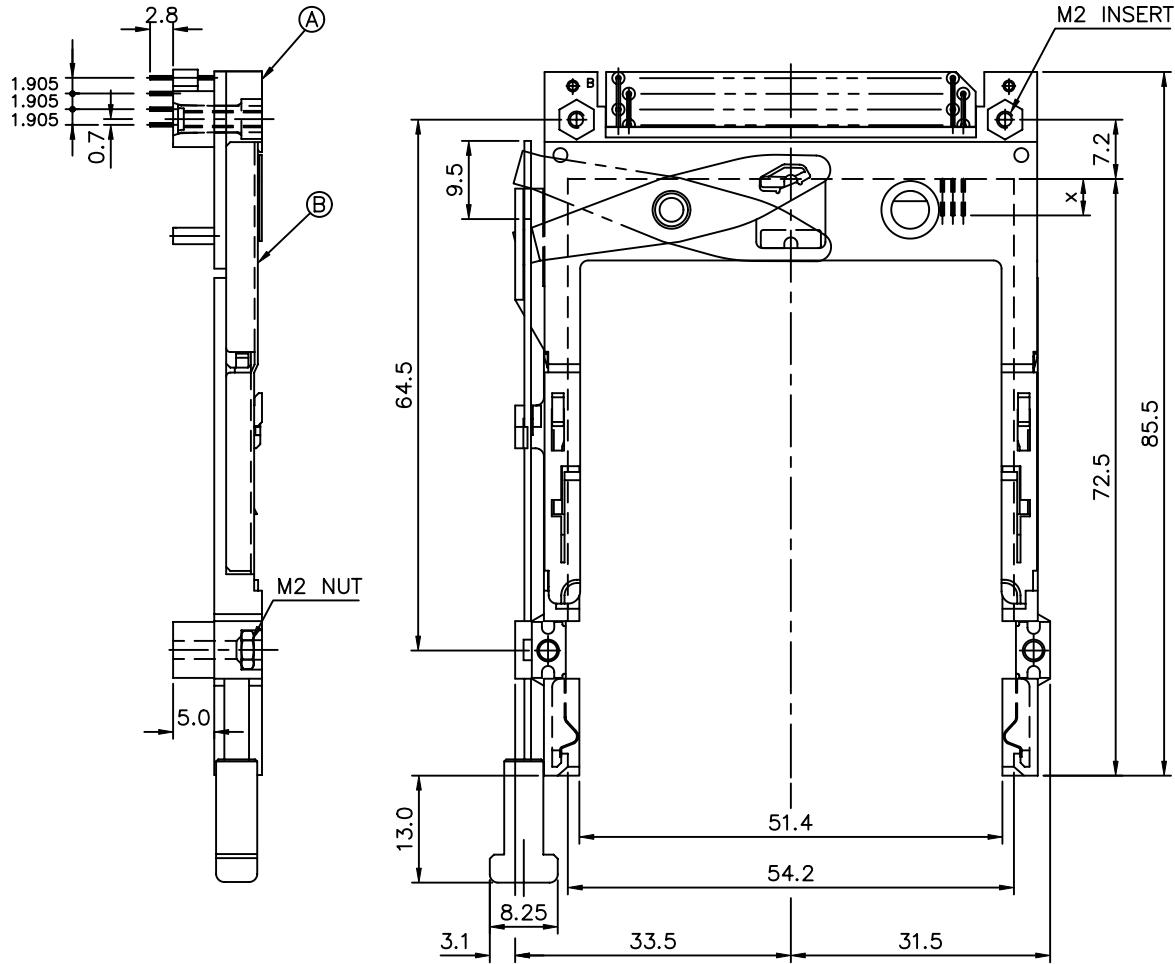


mat'l code		tolerance unless otherwise specified		CUSTOMER COPY	<b>FCI</b> ELECTRONICS	
rev.	ecn no.	dr	date	linear	±0.30	projection
G				angles	± 2°	title
				dr	SHIRLEY HSU 09/03/96	NARROW BODY FRONT EJECT TYPE 1/2/3 EJECTOR ASS'Y
				enr	JOSEPH HSIA 09/03/96	product family : PCMCIA
				chr	JOSEPH HSIA 09/03/96	code
				appd	JENN TSAO 09/03/96	TWN
						sheet
						3 of
sheet	revision					
index	sheet					

Tous droits strictement réservés. Reproduction ou communication à des tiers sans autorisation écrite du propriétaire.  
 Droits de reproduction BERG ELECTRONICS by

All rights strictly reserved. Reproduction or issue to third parties in any form without the written authority from the proprietor.  
 Copyright BERG ELECTRONICS by

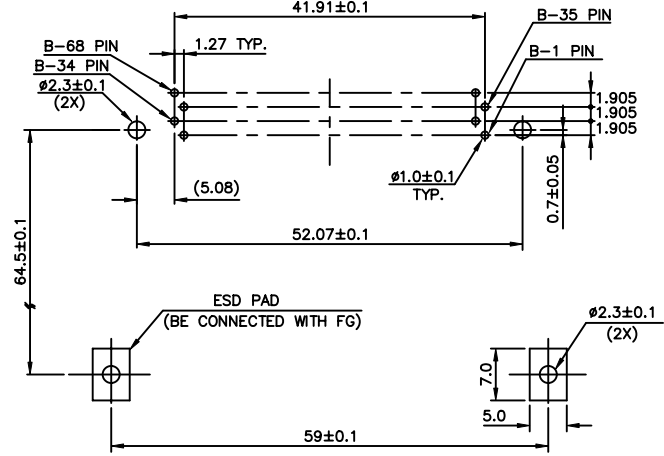
PRODUCT NO.  
61573-550CA



NOTES:

- EJECT FORCE : 3.5 Kg MAX.
- EJECT TRAVEL: 8.0mm
- MATERIAL
  - PART A (HEADER ASS'Y)
    - PLASTIC : HOUSING ...LCP UL94V-0 BLACK
    - LOCATOR ...G.F. 6/6 NYLON UL94-VO BLACK
    - PIN : PHOSPHOR BRONZE
  - PART B (EJECT MECHANISM ASS'Y)
    - PLASTIC : GUIDE: POLYPHTHARAMID UL94V-0 BLACK
    - BUTTON: POLYPHTHARAMID UL94V-0 BLACK
    - PLATE : STAINLESS
    - EMI CONTACT: PHOSPHOR BRONZE
- FINISH (PIN)
  - UNDER PLATING : 0.5 um MIN. Ni
  - CONTACT AREA : 0.1 um MIN. GOLD OVER 0.5 um MIN. Pd-Ni
  - SOLDER TAIL : 2.5 um MIN. Sn-Pb
- DIM "X"

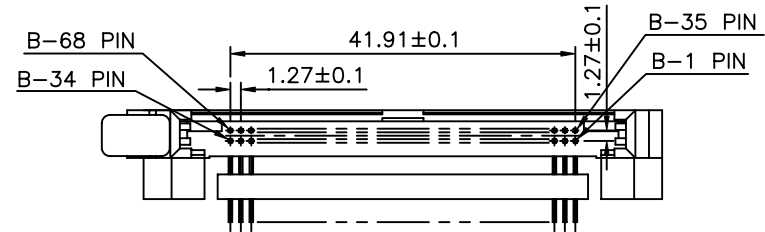
4.25±0.1	3.5±0.1	5.0±0.1
OTHERS	36,67	1,17,34,35,51,68



4 CARD INSERTION DIRECTION

USE THE FOLLOWING P/N FOR OFFICIAL ORDERING

B	EJECT MECH ASS'Y	95627-15CA
A	HDR ASS'Y	92856-520
	DESCRIPTION	P/N

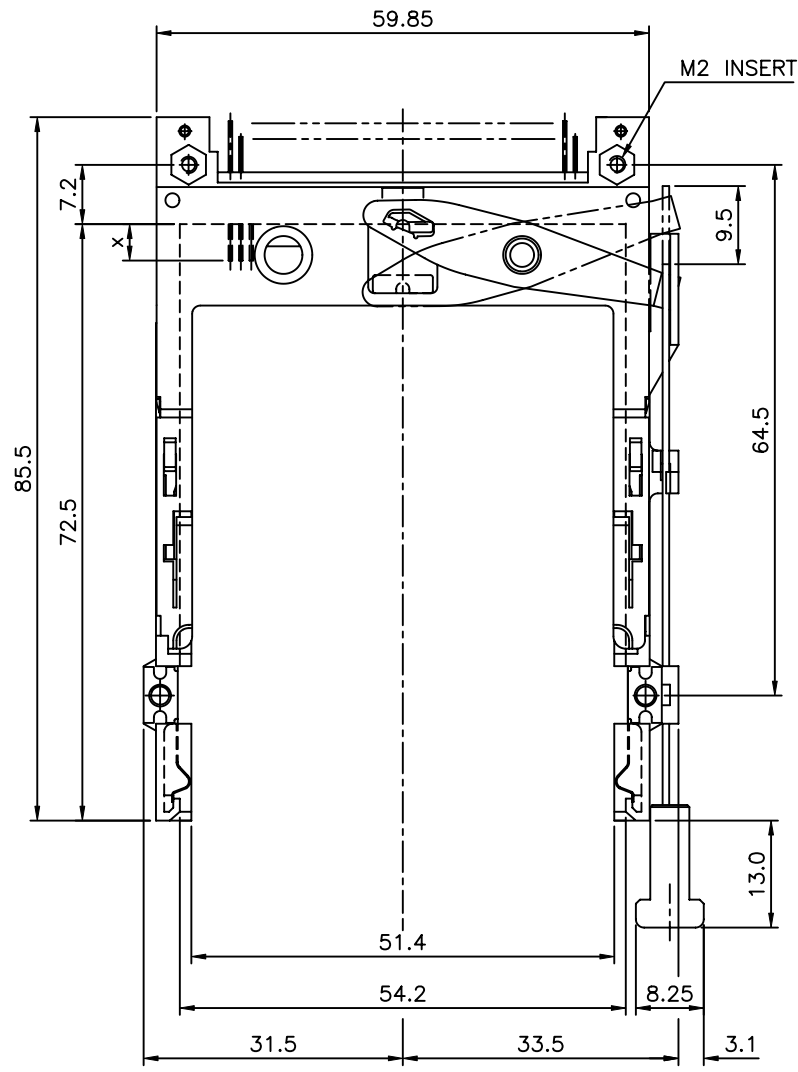
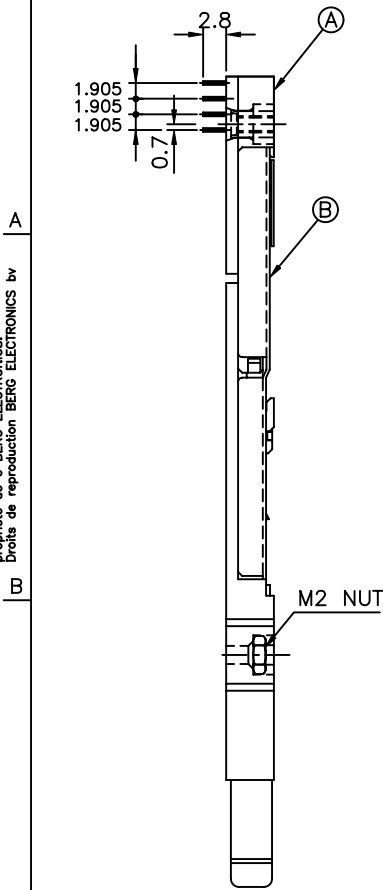


mat'l code		tolerance unless otherwise specified		CUSTOMER COPY	ELECTRONICS FCI	
rev.	ecn no.	dr	date	linear	±0.30	projection
G				angles	± 2°	title
			dr WENDY CHEN 07/20/97	unit		NARROW BODY FRONT EJECT TYPE 1/2/3 EJECTOR ASS'Y
			enr JOSEPH HSIA 07/20/97	mm/inch		product family : PCMCIA
			chr JOSEPH HSIA 07/20/97	scale	1.5:1	code
			appd JENN TSAO 07/20/97	size	A3	61573
sheet		revision		index		sheet
						4 OF

PRODUCT NO.  
61573-000CA

Tous droits strictement réservés. Reproduction ou communication à des tiers sans autorisation écrite du propriétaire.  
Droits de reproduction BERG ELECTRONICS by

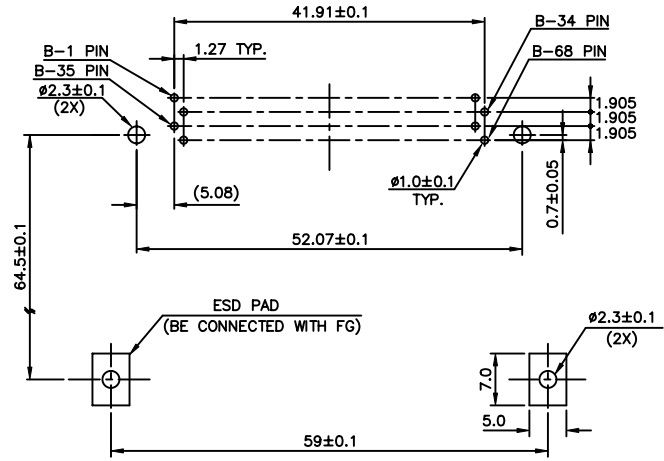
All rights strictly reserved. Reproduction or issue to third parties in any form without the written authority from the proprietor.  
Copyright BERG ELECTRONICS by



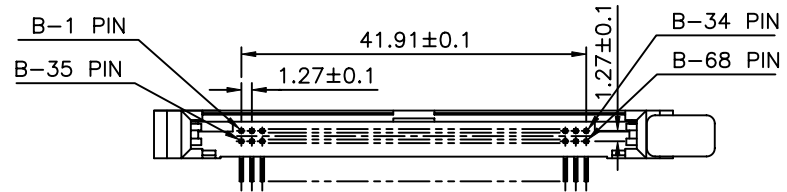
NOTES:

- EJECT FORCE : 3.5 Kg MAX.
- EJECT TRAVEL: 8.0mm
- MATERIAL
  - PART (A) (HEADER ASS'Y)  
PLASTIC : HOUSING ...LCP UL94V-0 BLACK  
PIN : PHOSPHOR BRONZE
  - PART (B) (EJECT MECHANISM ASS'Y)  
PLASTIC : GUIDE: POLYPHTHARAMID UL94V-0 BLACK  
BUTTON: POLYPHTHARAMID UL94V-0 BLACK  
PLATE : STAINLESS  
EMI CONTACT: PHOSPHOR BRONZE
- FINISH (PIN)  
UNDER PLATING : 0.5 um MIN. Ni  
CONTACT AREA : 0.1 um MIN. GOLD OVER 0.5 um MIN. Pd-Ni  
SOLDER TAIL : 2.5 um MIN. Sn-Pb
- DIM "X"

4.25±0.1	3.5±0.1	5.0±0.1
OTHERS	36,67	1,17,34,35,51,68



4 CARD INSERTION DIRECTION



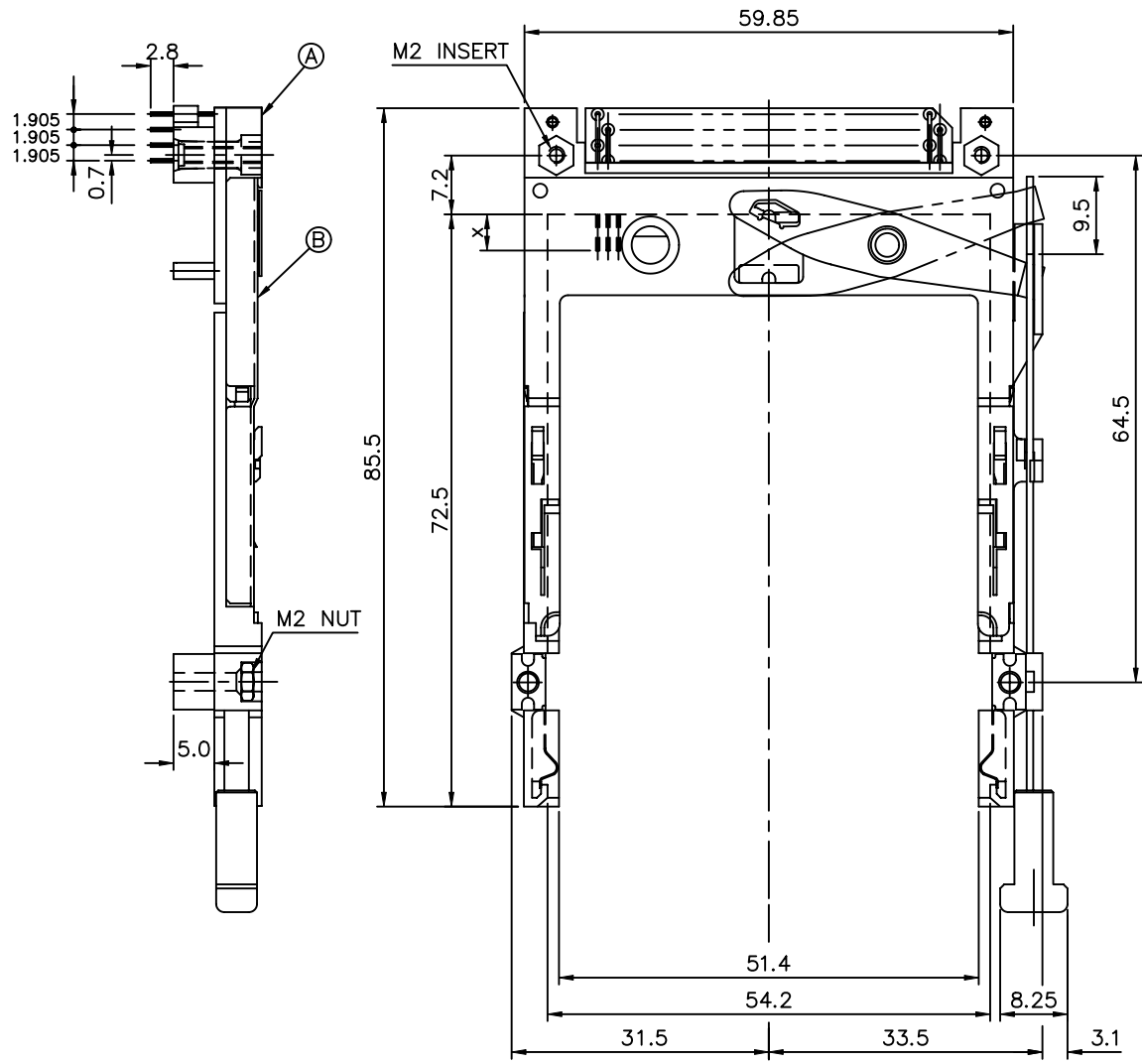
USE THE FOLLOWING P/N FOR OFFICIAL ORDERING

(B)	EJECT MECH ASS'Y	95627-00CA
(A)	HDR ASS'Y	92856-000
DESCRIPTION	P/N	

mat'l code		tolerance unless otherwise specified		CUSTOMER COPY	<b>FCI ELECTRONICS</b>	
rev.	ecn no.	dr	date	linear	±0.30	projection
G				angles	± 2°	title
				dr WENDY CHEN	09/15/98	NARROW BODY FRONT EJECT TYPE 1/2/3 EJECTOR ASS'Y
				enr JOSEPH HSIA	09/15/98	product family : PCMCIA
				chr JOSEPH HSIA	09/15/98	code
				appd JENN TSAO	09/15/98	TWN
						sheet
						5 of
sheet	revision					
index	sheet					

PRODUCT NO.  
61573-050CA

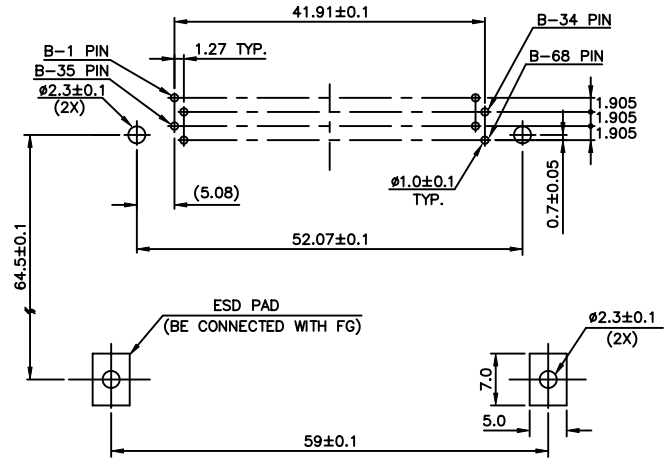
Tous droits strictement réservés. Reproduction ou communication à des tiers interdite sans autorisation écrite du propriétaire.  
 All rights strictly reserved. Reproduction or issue to third parties in any form without the written authority from the proprietor.  
 Droits de reproduction BERG ELECTRONICS by  
 Copyright BERG ELECTRONICS by



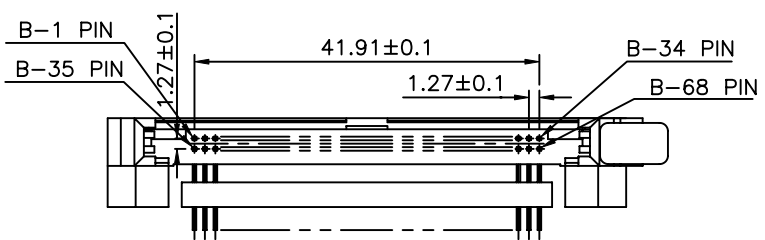
NOTES:

1. EJECT FORCE : 3.5 Kg MAX.
2. EJECT TRAVEL: 8.0mm
3. MATERIAL
  - 3.1 PART (A) (HEADER ASS'Y)  
 PLASTIC : HOUSING ...LCP UL94V-O BLACK  
 : LOCATOR ...G.F. 6/6 NYLON UL94-VO BLACK  
 PIN : PHOSPHOR BRONZE
  - 3.2 PART (B) (EJECT MECHANISM ASS'Y)  
 PLASTIC : GUIDE: POLYPHTHARAMID UL94V-O BLACK  
 : BUTTON: POLYPHTHARAMID UL94V-O BLACK  
 PLATE : STAINLESS  
 EMI CONTACT: PHOSPHOR BRONZE
4. FINISH (PIN)  
 UNDER PLATING : 0.5 μm MIN. Ni  
 CONTACT AREA : 0.1 μm MIN. GOLD OVER 0.5 μm MIN. Pd-Ni  
 SOLDER TAIL : 2.5 μm MIN. Sn-Pb
5. DIM "X"

4.25±0.1	3.5±0.1	5.0±0.1
OTHERS	36,67	1,17,34,35,51,68



4 CARD INSERTION DIRECTION



USE THE FOLLOWING P/N FOR OFFICIAL ORDERING

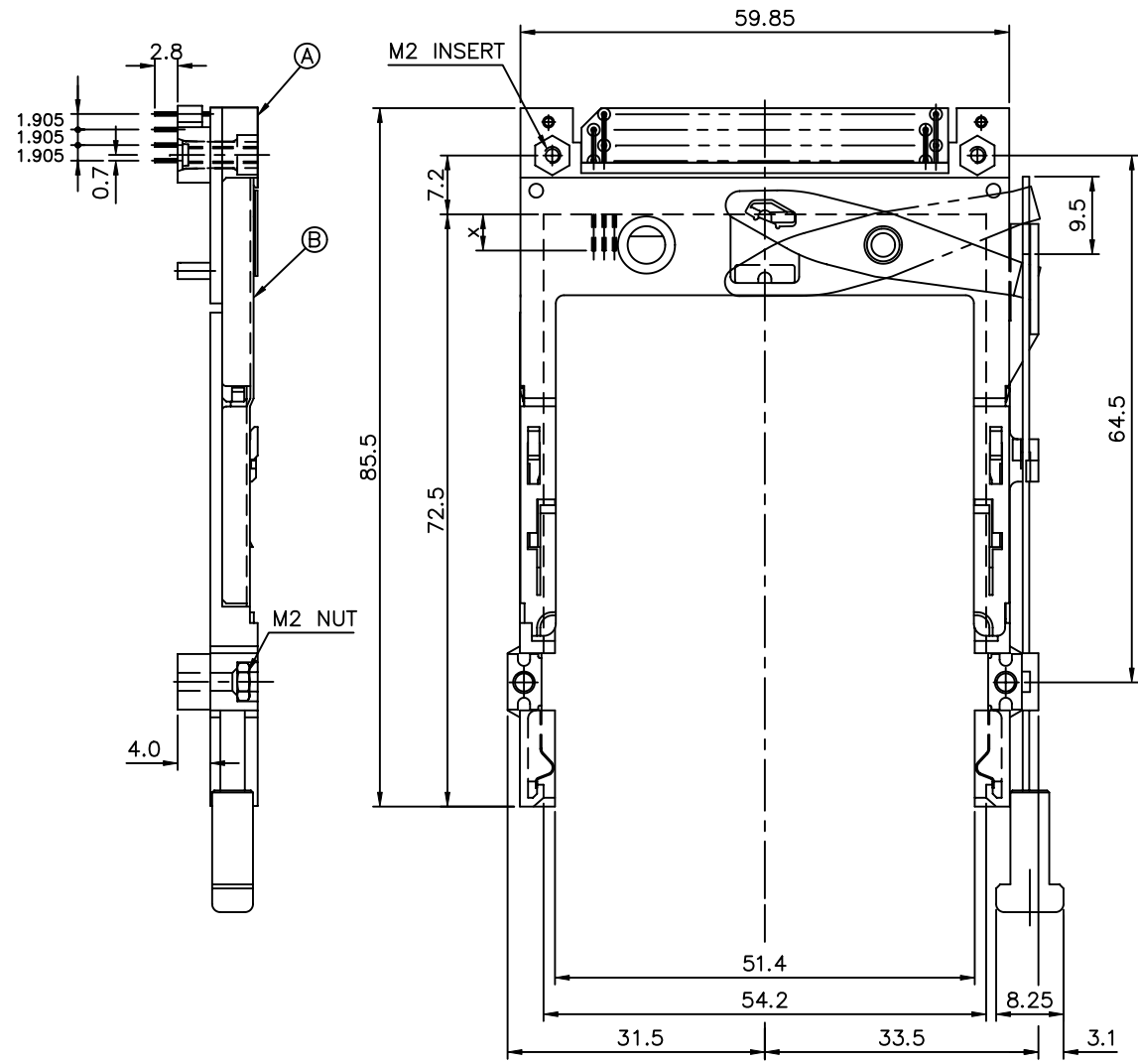
(B)	EJECT MECH ASS'Y	95627-05CA
(A)	HDR ASS'Y	92856-020
DESCRIPTION	P/N	

mat'l code		tolerance unless otherwise specified		CUSTOMER COPY			
rev.	ecn no.	dr	date	linear	±0.30	projection	title
G				angles	± 2°		NARROW BODY FRONT EJECT TYPE 1/2/3 EJECTOR ASS'Y
				dr	WENDY CHEN 11/10/98	unit	product family : PCMCIA
				enr	JOSEPH HSIA 11/10/98	mm/inch	code
				chr	JOSEPH HSIA 11/10/98	scale	TWN
				appd	JENN TSAO 11/10/98	size	6 OF
						A3	61573
sheet	revision						
index	sheet						

PRODUCT NO.  
61573-040CA

Tous droits strictement réservés. Reproduction ou communication à des tiers interdite sans la permission écrite du propriétaire.  
Property of BERG ELECTRONICS.  
Copyright BERG ELECTRONICS by

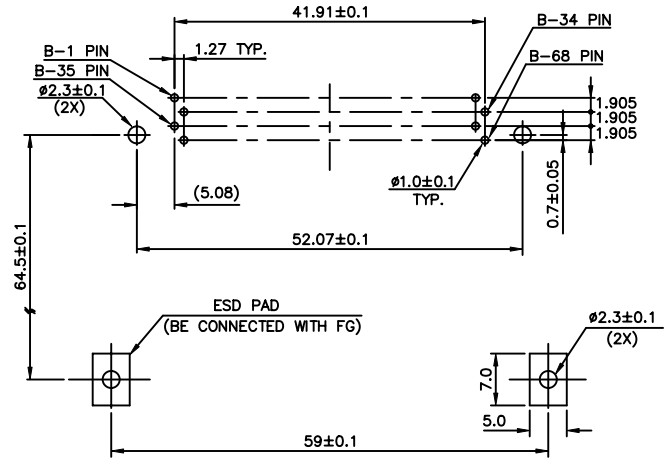
All rights strictly reserved. Reproduction or issue to third parties in any form without the written authority from the proprietor.  
Property of BERG ELECTRONICS.  
Copyright BERG ELECTRONICS by



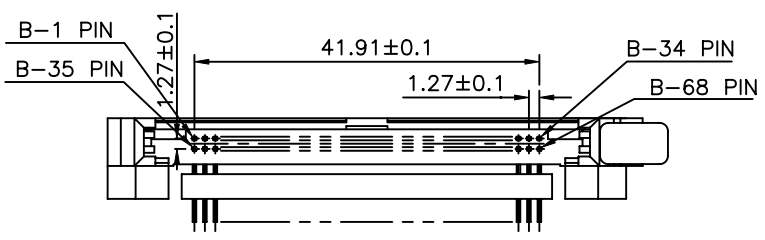
NOTES:

- EJECT FORCE : 3.5 Kg MAX.
- EJECT TRAVEL: 8.0mm
- MATERIAL
  - PART (A) (HEADER ASS'Y)  
PLASTIC : HOUSING ...LCP UL94V-O BLACK  
LOCATOR ...G.F. 6/6 NYLON UL94-VO BLACK  
PIN : PHOSPHOR BRONZE
  - PART (B) (EJECT MECHANISM ASS'Y)  
PLASTIC : GUIDE: POLYPHTHARAMID UL94V-O BLACK  
BUTTON: POLYPHTHARAMID UL94V-O BLACK  
PLATE : STAINLESS  
EMI CONTACT: PHOSPHOR BRONZE
- FINISH (PIN)  
UNDER PLATING : 0.5 μm MIN. Ni  
CONTACT AREA : 0.1 μm MIN. GOLD OVER 0.5 μm MIN. Pd-Ni  
SOLDER TAIL : 2.5 μm MIN. Sn-Pb
- DIM "X"

4.25±0.1	3.5±0.1	5.0±0.1
OTHERS	36,67	1,17,34,35,51,68



4 CARD INSERTION DIRECTION



USE THE FOLLOWING P/N FOR OFFICIAL ORDERING

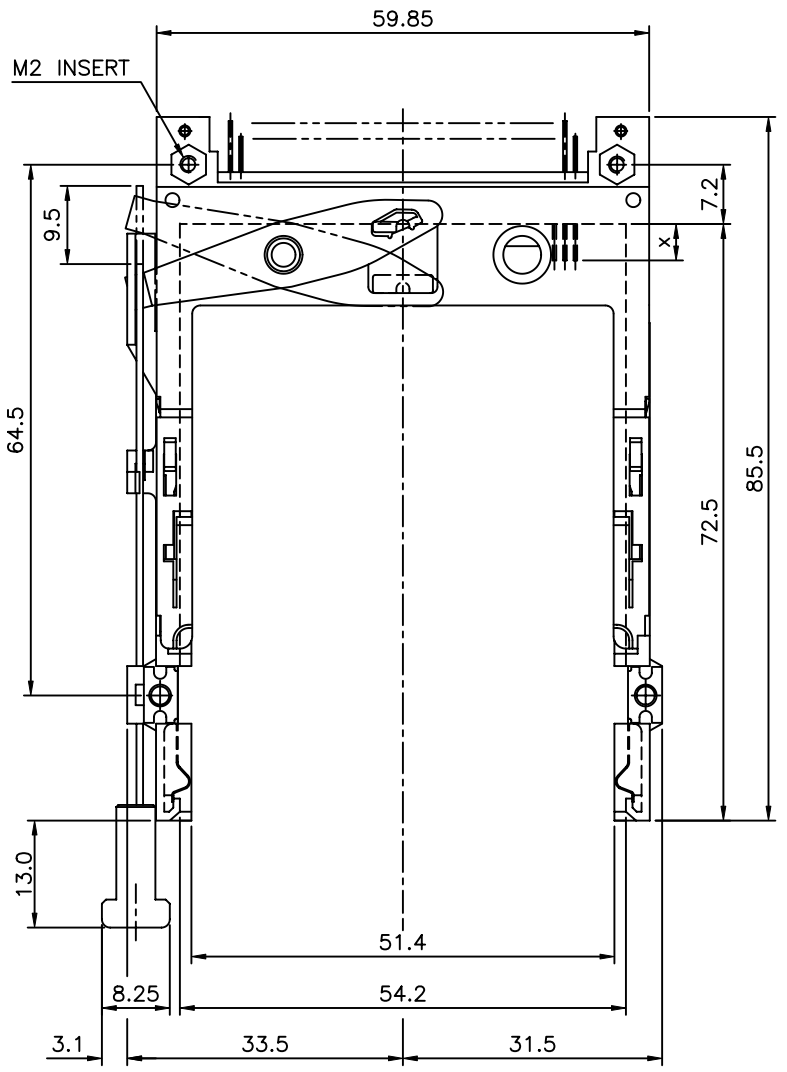
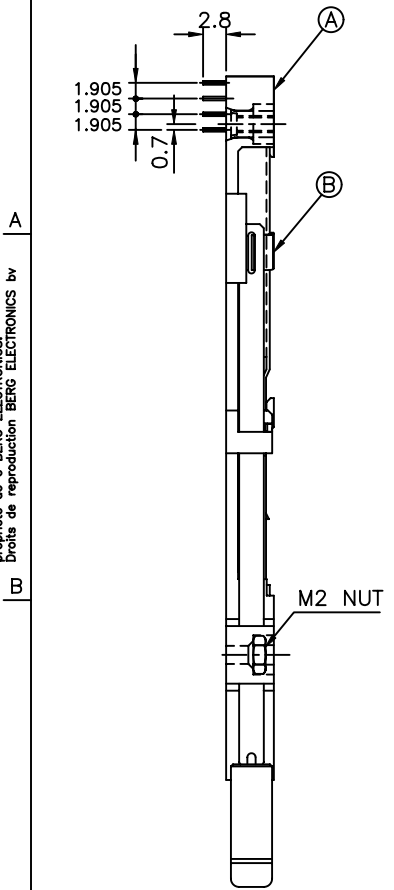
(B)	EJECT MECH ASS'Y	95627-04CA
(A)	HDR ASS'Y	92856-010
DESCRIPTION	P/N	

mat'l code		tolerance unless otherwise specified		CUSTOMER COPY			
rev.	ecn no.	dr	date	linear	±0.30	projection	title
G				angles	± 2°		NARROW BODY FRONT EJECT TYPE 1/2/3 EJECTOR ASS'Y
				dr	WENDY CHEN 11/10/98	unit	product family : PCMCIA
				enr	JOSEPH HSIA 11/10/98	mm/inch	code
				chr	JOSEPH HSIA 11/10/98	scale	TWN
				appd	JENN TSAO 11/10/98	size	7 OF
						A3	61573
sheet	revision						
index	sheet						

PRODUCT NO.  
61573-100CA

Tous droits strictement réservés. Reproduction ou communication à des tiers sans autorisation écrite du propriétaire.  
Property of BERG ELECTRONICS.  
Droits de reproduction BERG ELECTRONICS by

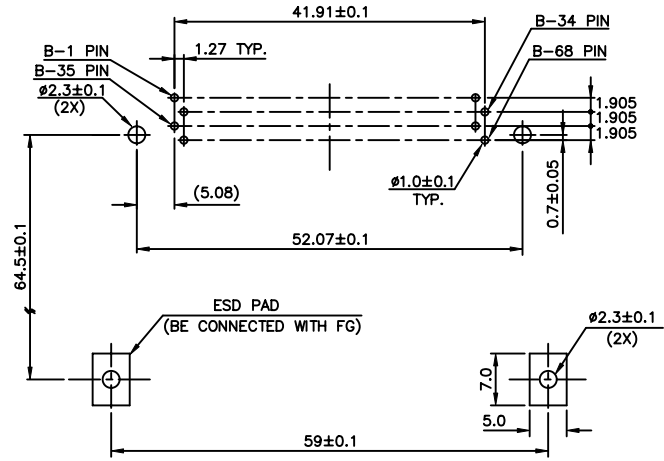
All rights strictly reserved. Reproduction or issue to third parties in any form without written authority from the proprietor.  
Property of BERG ELECTRONICS.  
Copyright BERG ELECTRONICS by



NOTES:

- EJECT FORCE : 3.5 Kg MAX.
- EJECT TRAVEL: 8.0mm
- MATERIAL
  - PART Ⓐ (HEADER ASS'Y)  
PLASTIC : HOUSING ...LCP UL94V-0 BLACK  
PIN : COPPER ALLOY
  - PART Ⓑ (EJECT MECHANISM ASS'Y)  
PLASTIC : GUIDE: POLYPHTHARAMID UL94V-0 BLACK  
: BUTTON: POLYPHTHARAMID UL94V-0 BLACK  
PLATE : STAINLESS  
EMI CONTACT: PHOSPHOR BRONZE
- FINISH (PIN)  
UNDER PLATING : 0.5 um MIN. Ni  
CONTACT AREA : 0.1 um MIN. GOLD OVER 0.5 um MIN. Pd-Ni  
SOLDER TAIL : 2.5 um MIN. Sn-Pb
- DIM "X"

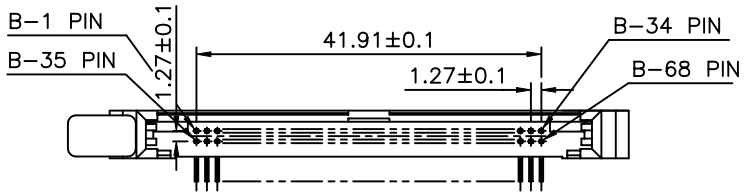
4.25±0.1	3.5±0.1	5.0±0.1
OTHERS	36,67	1,17,34,35,51,68



4 CARD INSERTION DIRECTION

USE THE FOLLOWING P/N FOR OFFICIAL ORDERING

Ⓑ	EJECT MECH ASS'Y	95627-10CA
Ⓐ	HDR ASS'Y	92856-000
DESCRIPTION	P/N	

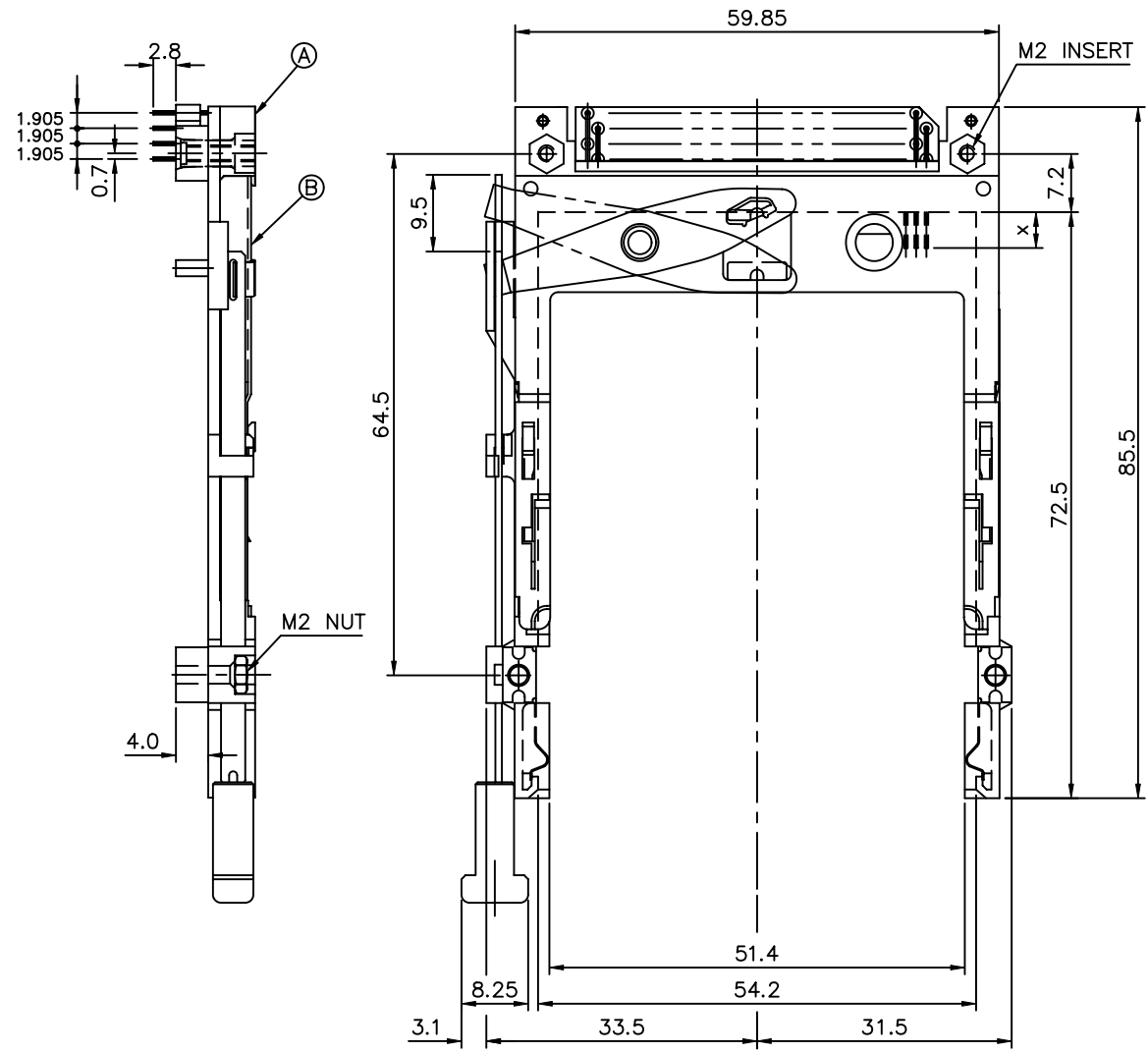


mat'l code		tolerance unless otherwise specified		CUSTOMER COPY	<b>FCI ELECTRONICS</b>	
rev.	ecn no.	dr	date	linear	±0.30	projection
G				angles	± 2°	
				dr WENDY CHEN	08/02/99	unit
				enr JOSEPH HSIA	08/02/99	mm/inch
				chr JOSEPH HSIA	08/02/99	scale
				appd JENN TSAO	08/02/99	1.5:1
sheet		revision		title		product family : PCMCIA
index		sheet		NARROW BODY FRONT EJECT TYPE 1/2/3 EJECTOR ASS'Y		
				size		code
				A3		TWN
				61573		sheet
						8 of



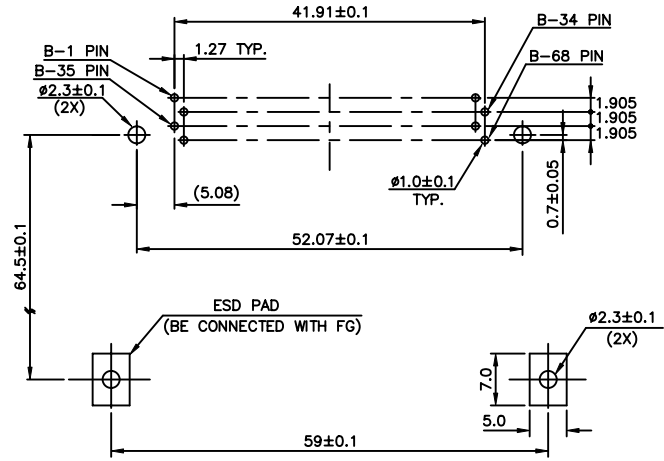
PRODUCT NO.  
61573-140CA

Tous droits strictement réservés. Reproduction ou communication à des tiers interdite sans la permission écrite du propriétaire.  
 All rights strictly reserved. Reproduction or issue to third parties in any form without the written authority from the proprietor.  
 Property of c BERG ELECTRONICS.  
 Copyright BERG ELECTRONICS by



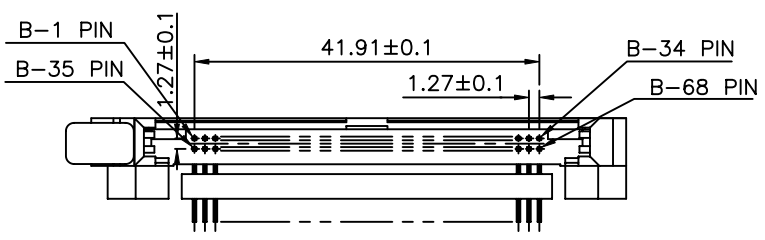
- NOTES:
- EJECT FORCE : 3.5 Kg MAX.
  - EJECT TRAVEL: 8.0mm
  - MATERIAL
    - PART A (HEADER ASS'Y)
      - PLASTIC : HOUSING ...LCP UL94V-0 BLACK
      - LOCATOR ...G.F. 6/6 NYLON UL94-VO BLACK
      - PIN : COPPER ALLOY
    - PART B (EJECT MECHANISM ASS'Y)
      - PLASTIC : GUIDE: POLYPHTHARAMID UL94V-0 BLACK
      - BUTTON: POLYPHTHARAMID UL94V-0 BLACK
      - PLATE : STAINLESS
      - EMI CONTACT: PHOSPHOR BRONZE
  - FINISH (PIN)
    - UNDER PLATING : 0.5 μm MIN. Ni
    - CONTACT AREA : 0.1 μm MIN. GOLD OVER 0.5 μm MIN. Pd-Ni
    - SOLDER TAIL : 2.5 μm MIN. Sn-Pb
  - DIM "X"

4.25±0.1	3.5±0.1	5.0±0.1
OTHERS	36,67	1,17,34,35,51,68



USE THE FOLLOWING P/N FOR OFFICIAL ORDERING

B	EJECT MECH ASS'Y	95627-14CA
A	HDR ASS'Y	92856-010
DESCRIPTION	P/N	



mat'l code		tolerance unless otherwise specified		CUSTOMER COPY		<b>FCI</b>	
rev.	ecn no.	dr	date	linear	±0.30	projection	title
H				angles	± 2°		NARROW BODY FRONT EJECT TYPE 1/2/3 EJECTOR ASS'Y
				dr	WENDY CHEN 05/04/00	unit	product family : PCMCIA
				enr	JOSEPH HSIA 05/04/00	mm/inch	code
				chr	JOSEPH HSIA 05/04/00	scale	TWN
				appd	JOSEPH HSIA 05/04/00	1.5:1	sheet
						A3	9 OF
sheet	revision						
index	sheet						