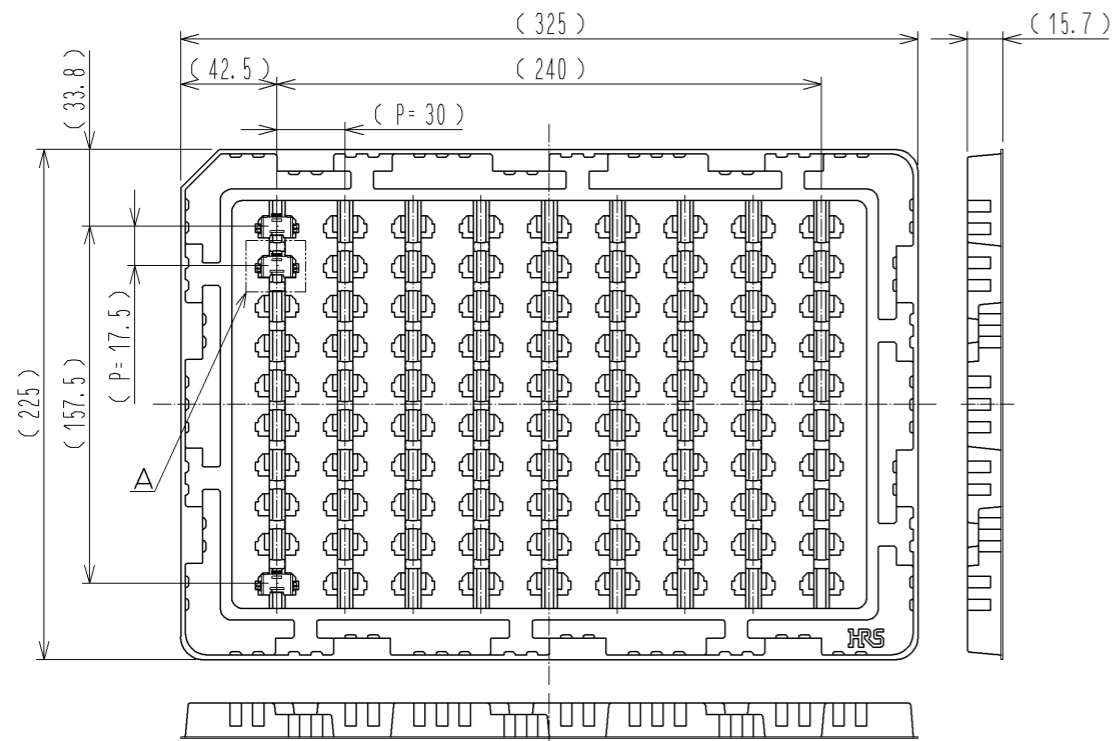
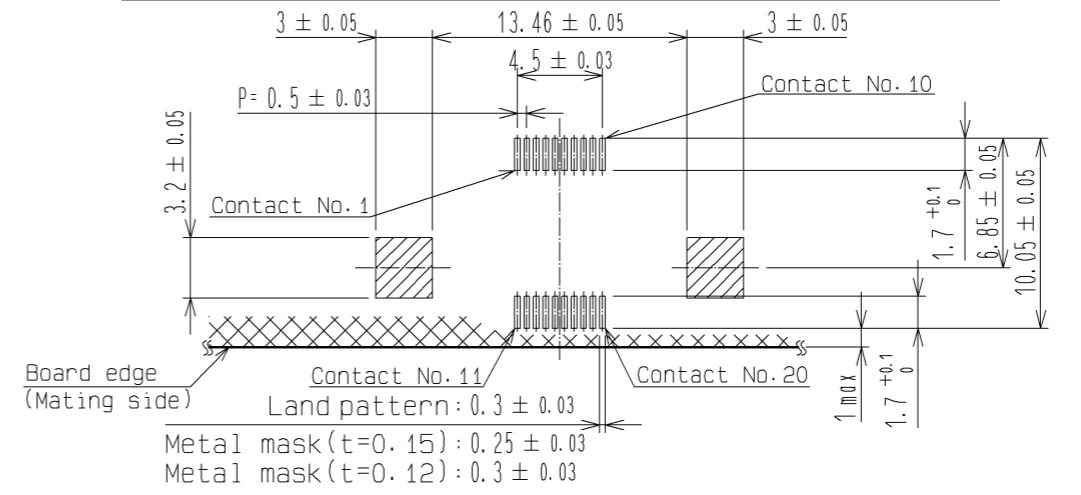


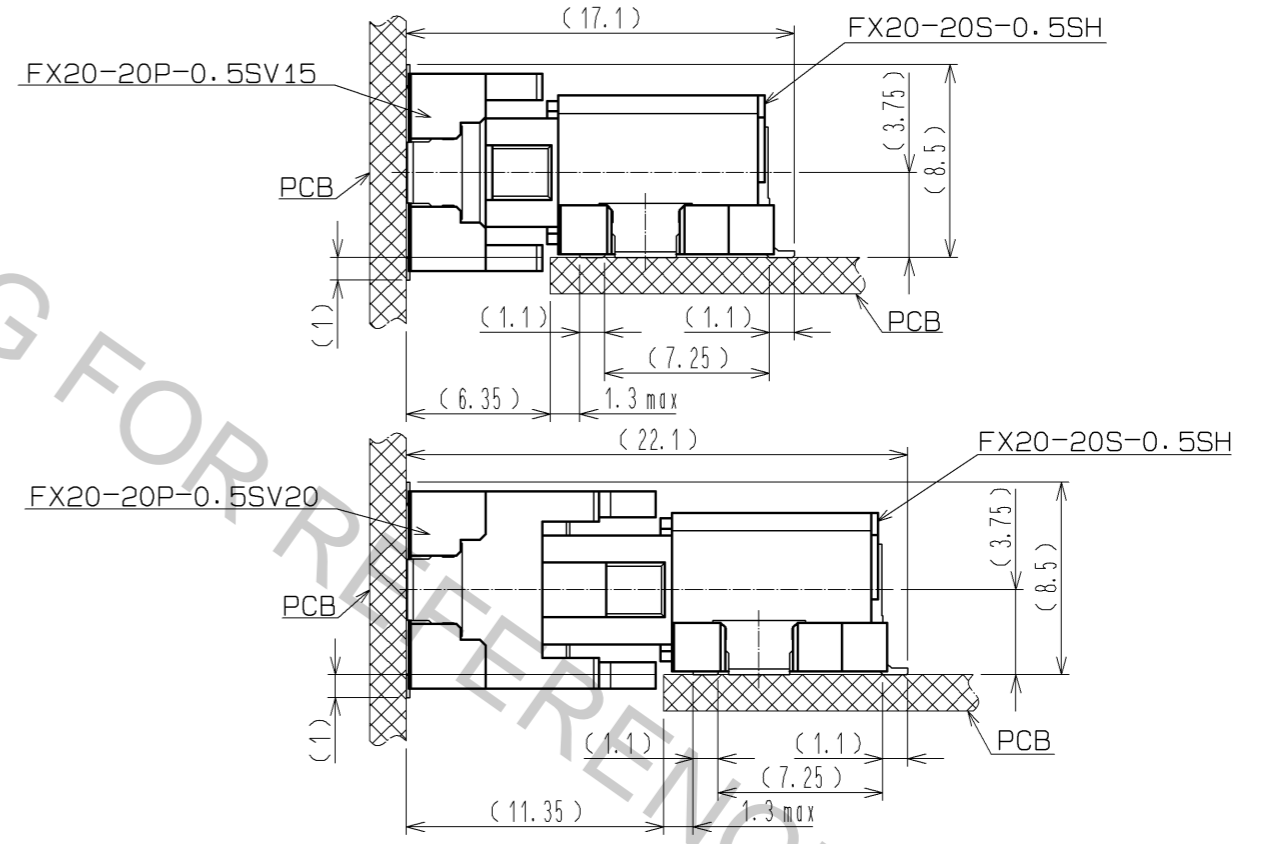
2 Drawing for packing (No scale)



5 Recommended land pattern dimension of PCB



Drawing for mating (No scale)



- 1 Lead CO-Planarity is 0.1mm MAX.
- 2 This is packaged in tray. (90pcs/tray)
- 3 Blemish and hit mark can be occurred through out the manufacturing process which doesn't affect quality level.
- 4 Please note that excessive wrenching force could damage this connector. Please refer to the guideline for detailed regulations of the mating method.
- 5 No prohibited area for printing pattern or via hole. PCB resist can be printed optionally.
- 6 The dimensions in parentheses are for references.

1	LCP	BLACK UL94V-0	4	BRASS	TIN-PLATING 1 μm		
			2.3	PHOSPHOR BRONZE	CONTACT AREA: GOLD 0.1 μm		
					LEAD AREA: GOLD 0.03 μm		
					UNDER PLATING: NICKEL 1 μm		
NO.	MATERIAL	FINISH . REMARKS	NO.	MATERIAL	FINISH . REMARKS		
UNITS	mm	SCALE 2 : 1	COUNT	DESCRIPTION OF REVISIONS	DESIGNED	CHECKED	DATE
APPROVED : HS. OKAWA		13.09.25	DRAWING NO.		EDC3-350411-00		
CHECKED : KI. HIROKAWA		13.09.25	PART NO.		FX20-20S-0.5SH		
DESIGNED : TS. OONO		13.09.25	CODE NO.		CL570-1611-1-00		
DRAWN : TS. OONO		13.09.25					