

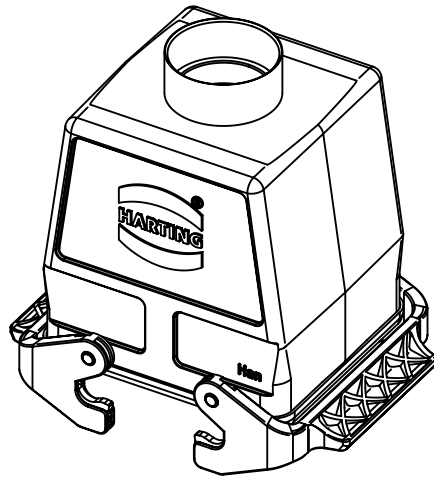
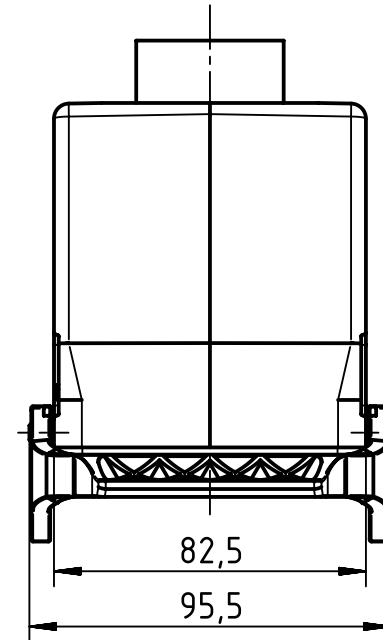
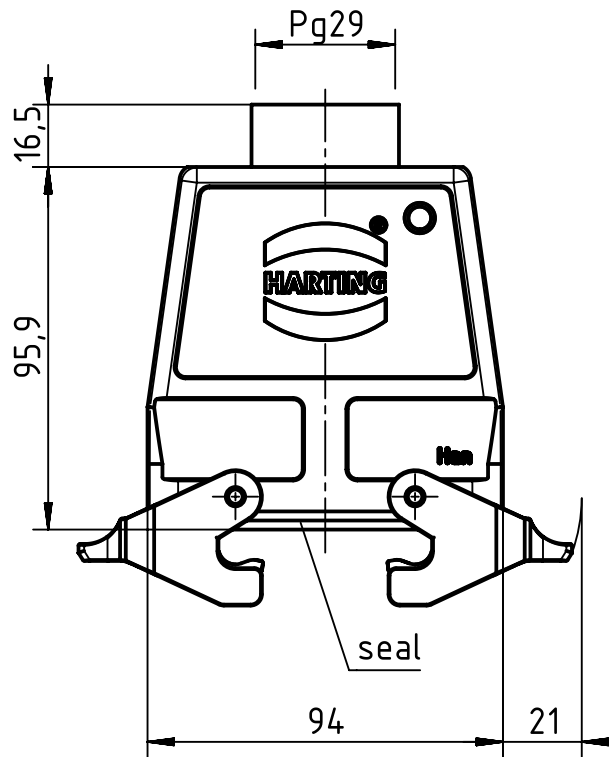
1 2 3 4 5 6

A

B

C

D



	All Dimensions in mm Original Size DIN A4		Scale 1:2	Free size tol.		Ref. Sub. TB 09 30 032 0731 v. 04.12.09		
		All rights reserved Department EL PD - DE		Created by HOLLERT	Inspected by SCHMIDTM	Standardisation SCHMIDTM	Date 2014-07-09	State Final Release
HARTING Electric GmbH & Co. KG D-32339 Espelkamp				Title Han B Hood Coupler HC 2 Levers PG 29			Doc-Key / ECM-Nr. 100186089/UGD/004/A 500000074220	
				Type TB	Number 09 30 032 0731		Rev. A	Page 1/1