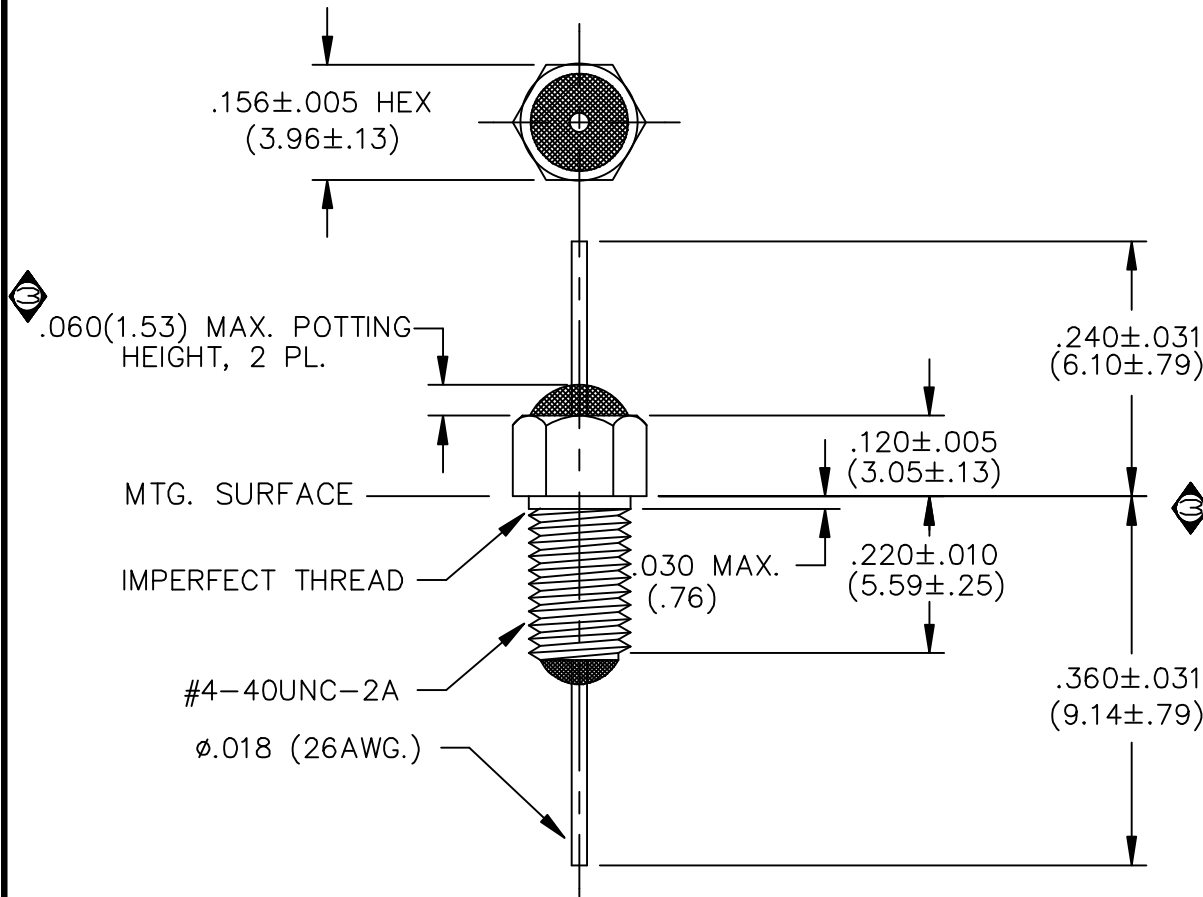
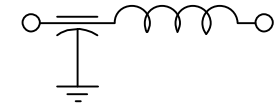


NOTES:  
1. HARDWARE IS INCLUDED.



LEAD FINISH:	SOLDER
BUSHING FINISH:	SILVER
CAPACITANCE	.027 $\mu$ F GMV
TEMP. RANGE	-55°C TO 125°C
CURRENT	10 AMP MAX.
WORKING VOLTAGE	85°C N/A VDC MAX. 125°C 100 VDC MAX.
D.C. RESISTANCE	.01ohms MAX.
MIN. I.L. PER MIL-STD-220 AT 25°C NO LOAD	
FREQ. MHz	I.L. (db)
1	10
10	30
100	50
200	--
1 GHz	70
10 GHz	70

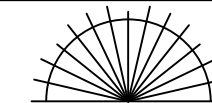
SCHEMATIC



MARKING:

PART: S000  
BAG:  
SCI-3112-000  
DATE CODE  
LOT NO.  
QTY/BAG (200 MAX.)

03	REV. NO.	TOLERANCES UNLESS OTHERWISE SPECIFIED
02	CHANGE NOTICE	Fractions $\pm$ 1/64
CN. 203433		Dec. .xx $\pm$
CN. 169173		Dec. .xxx $\pm$ .010
		Angles $\pm$ 0° 30'
		CODE IDENT. NO. OLSP2



SPECTRUM CONTROL INC.

ERIE, FAIRVIEW  
PENNSYLVANIA

Dwn. KAUFFMAN

Description L

Ckd. 8/28/01

RESIN SEAL FILTER

Apvd.

SCI-3112-000

Scale NONE