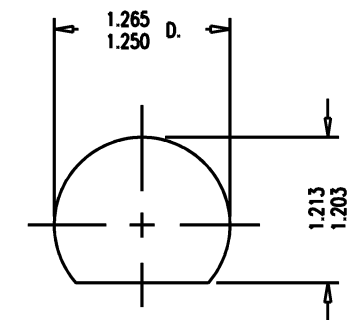
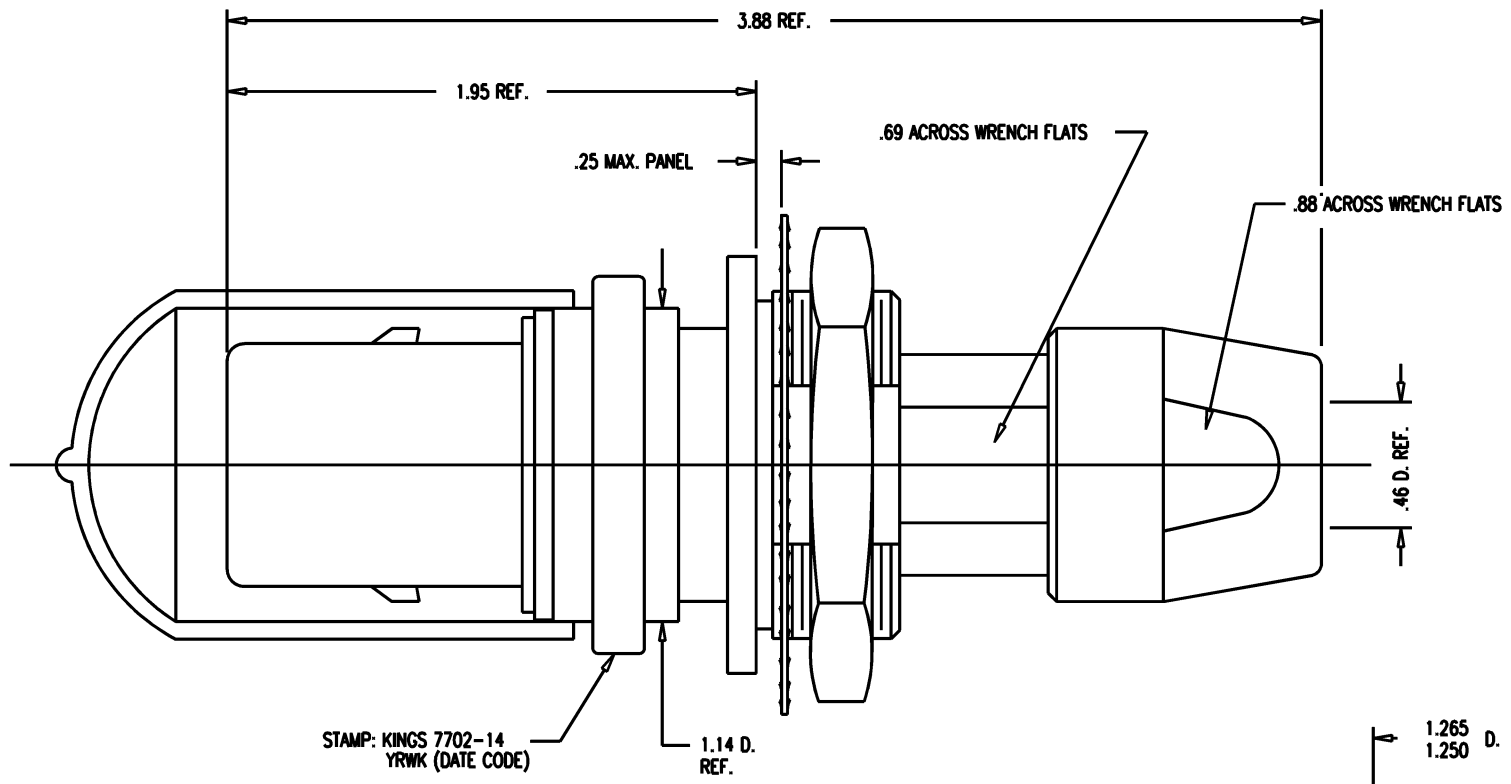


DASH NO.	M CODE	MADE FROM
----------	--------	-----------

GSD

7702-14

REVISIONS	
ISSUE	CHANGES
0	ER 36992 KH 06/05/96
1	CN 37012 E KH 06/18/96
2	CN 38154 C BDH 12/14/00



MOUNTING HOLE

GSD

NOTES:

- FOR USE WITH BELDEN 1859A (79 CABLE GROUP).
- FOR CABLING INSTRUCTIONS SEE KAI-8011.
- FOR CRIMPING USE DIE SIZE 2040.
- MATERIALS:**
 INSULATORS-TEFLON, ASTM-D-4894
 LOCKWASHER-SPRING STEEL, PER ASTM A682
 CONDUCTIVE GASKET-CONSIL C 87-10004, 60-70 DUROMETER
 GASKETS-SILICONE RUBBER, ZZ-R-765
 CAP-VINYL
 K-GRIP SLEEVE-COMMERCIAL BRONZE, ASTM-B-135
 OUTER CONTACT-PHOSPHOR BRONZE, ASTM-B-103
 BODY-BER. COP., ASTM-B-196
 ALL OTHER METAL PARTS-BRASS, ASTM-B16

- FINISHES:**
 CENTER CONTACT-GOLD PLATE PER MIL-G-45204
 LOCKWASHER
 NUTS
 COLLET
 OUTER BODIES
 BODY RING
 ALL OTHER METAL PARTS-SILVER PLATE PER QQ-S-365
 } KINGS TARNISH RESISTANT NICKEL FINISH (TR-5)
- ELECTRICAL CHARACTERISTICS:**
 NOMINAL IMPEDANCE: 75 OHMS
 FREQUENCY RANGE: DC-500 MHZ
 VOLTAGE BREAKDOWN: CENTER CONDUCTOR/INNER GROUND: 1500 VRMS
 INNER GROUND/OUTER GROUND: 500 VRMS

KAM6636

SCALE 2:1	
APPROX SURFACE AREA	
WAS: E-19365	
USED ON	
REF:	
PL, BKHD, TRI-LOC SERIAL DIGITAL	
DRAWN KH	08/31/96
DESIGN DW	08/31/96
APPR.	DATE
 ELECTRONICS CO., INC. ROCK HILL, SOUTH CAROLINA 29730	
7702-14	