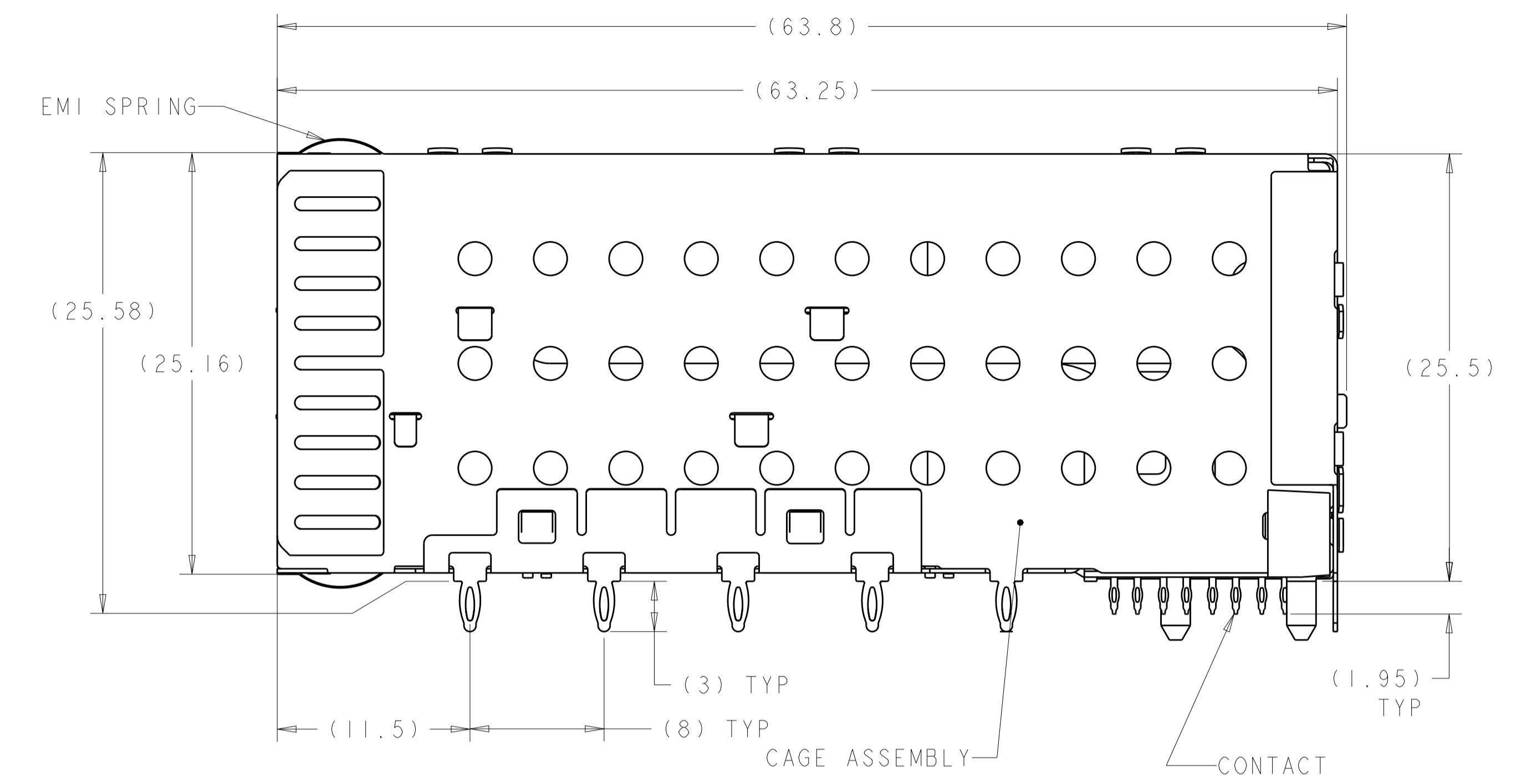
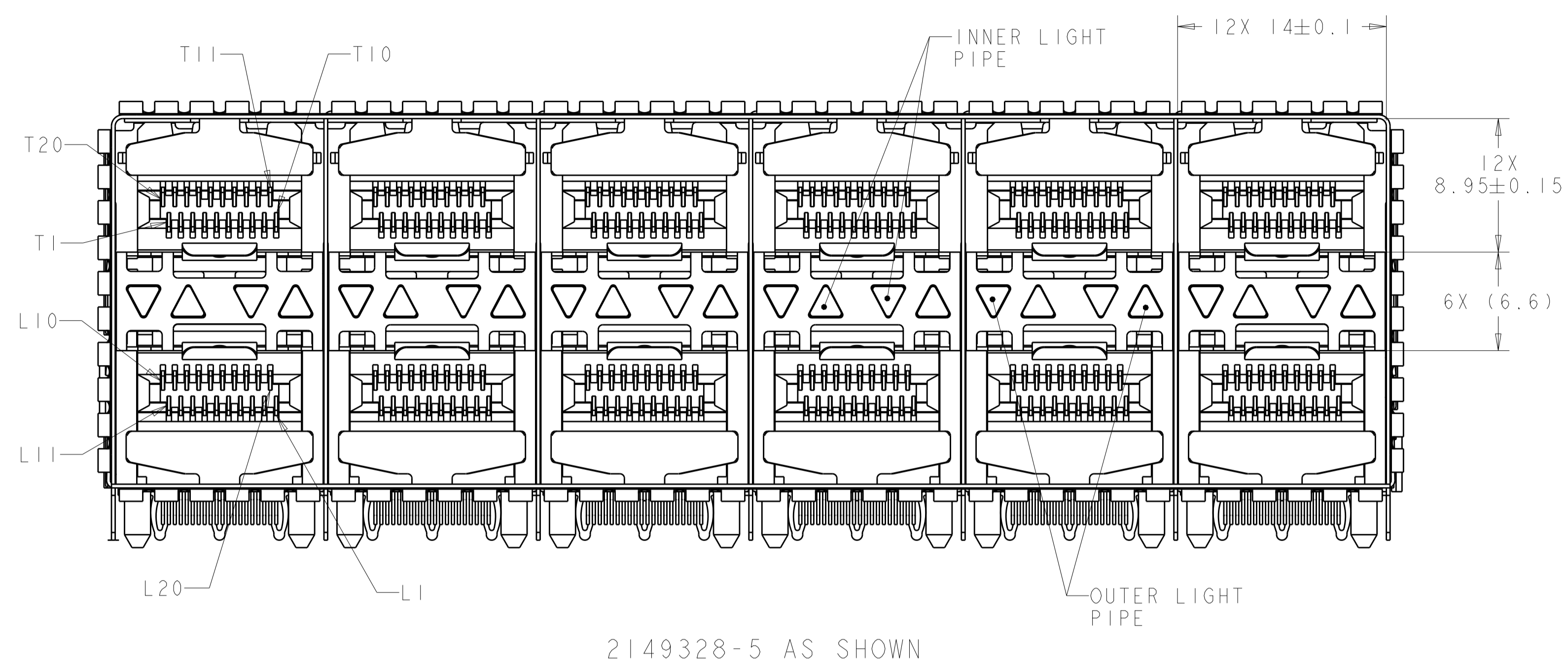
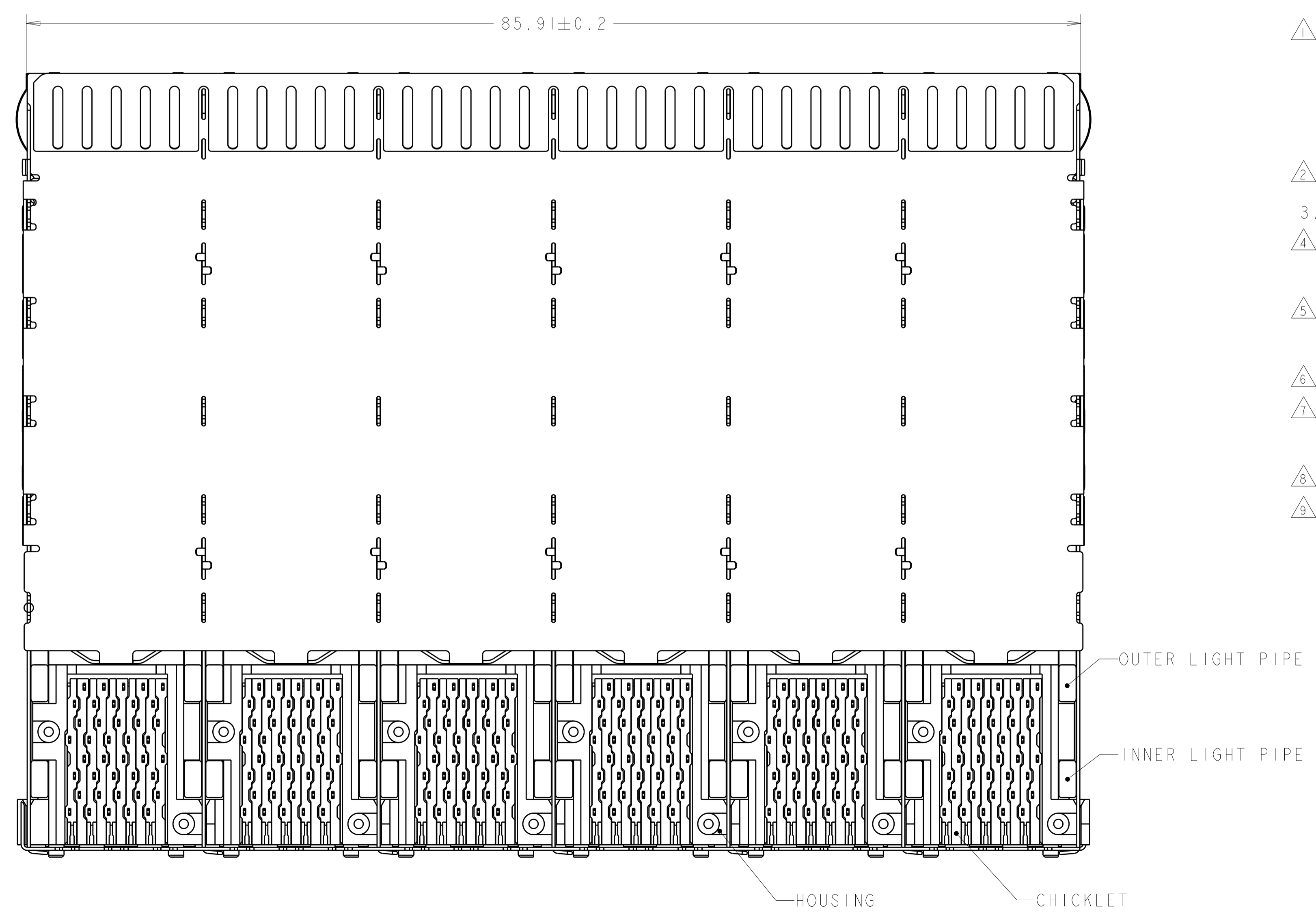


LOC		DIST		REVISIONS			
P	LTN	DESCRIPTION	DATE	DWN	APVD		
A		RELEASED	06JAN2012	CJV	PAR		
B		REVISED PER ECO-15-017919	04APL2016	AP	PR		



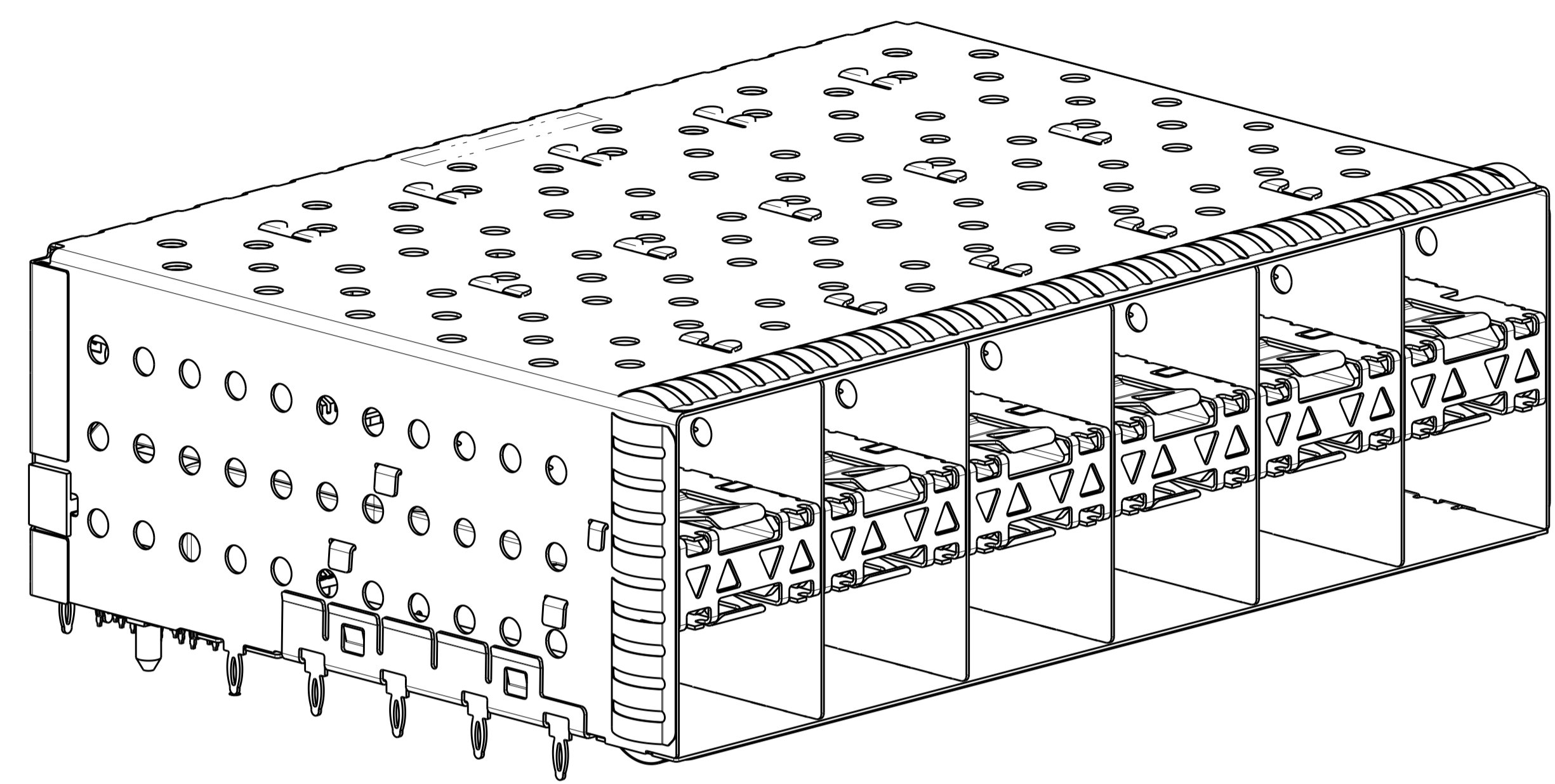
- △ MATERIALS:
 CAGE ASSEMBLY- NICKEL SILVER ALLOY PER ASTM B 122.
 EMI SPRING- COPPER ALLOY.
 HOUSING- BLACK LCP, UL 94V-0 RATED.
 CHICKLET- BLACK LCP, UL 94V-0 RATED.
 LIGHT PIPE- POLYCARBONATE, CLEAR, UL 94V-2 RATED.
 CONTACT- COPPER ALLOY.
- △ DATUM AND BASIC DIMENSIONS ESTABLISHED BY CUSTOMER.
- 3. MINIMUM PCB THICKNESS OF 1.5.
- △ CONTACT FINISH- CONFORMS TO THE REQUIREMENTS OF TE PRODUCT SPECIFICATION 108-2331, BASED ON EIA/ECA-364-1000.01A, (CONTROLLED ENVIRONMENT APPLICATIONS) ON MATING INTERFACE, TIN-LEAD ON NEEDLE EYE.
- △ CONTACT FINISH- CONFORMS TO THE REQUIREMENTS OF TE PRODUCT SPECIFICATION 108-2331, BASED ON EIA/ECA-364-1000.01A, (CONTROLLED ENVIRONMENT APPLICATIONS) ON MATING INTERFACE, TIN ON NEEDLE EYE.
- △ FOR HOLE SIZE AND PLATINGS, SEE APPLICATION SPEC 114-13219.
- △ THE ENTIRE AREA OF THE CONNECTOR FOOTPRINT, INDICATED BY THE DASHED LINE, TO BE CONSIDERED THE KEEPOUT AREA FOR COMPONENTS AND SIGNAL TRACES, TOP SIDE ONLY. TOP SIDE TRACES ALLOWED WITHIN CONNECTOR HOLE PATTERN.
- △ LIGHT PIPE PAD LAYOUT IS FOR 0805 LOW PROFILE LED PACKAGE WITH A HEIGHT OF 0.8mm.
- △ EMI SPRING FINISH: 0.8µm MINIMUM MATTE TIN OVER 0.8µm MINIMUM NICKEL, NONPLATED EDGES PERMISSIBLE.



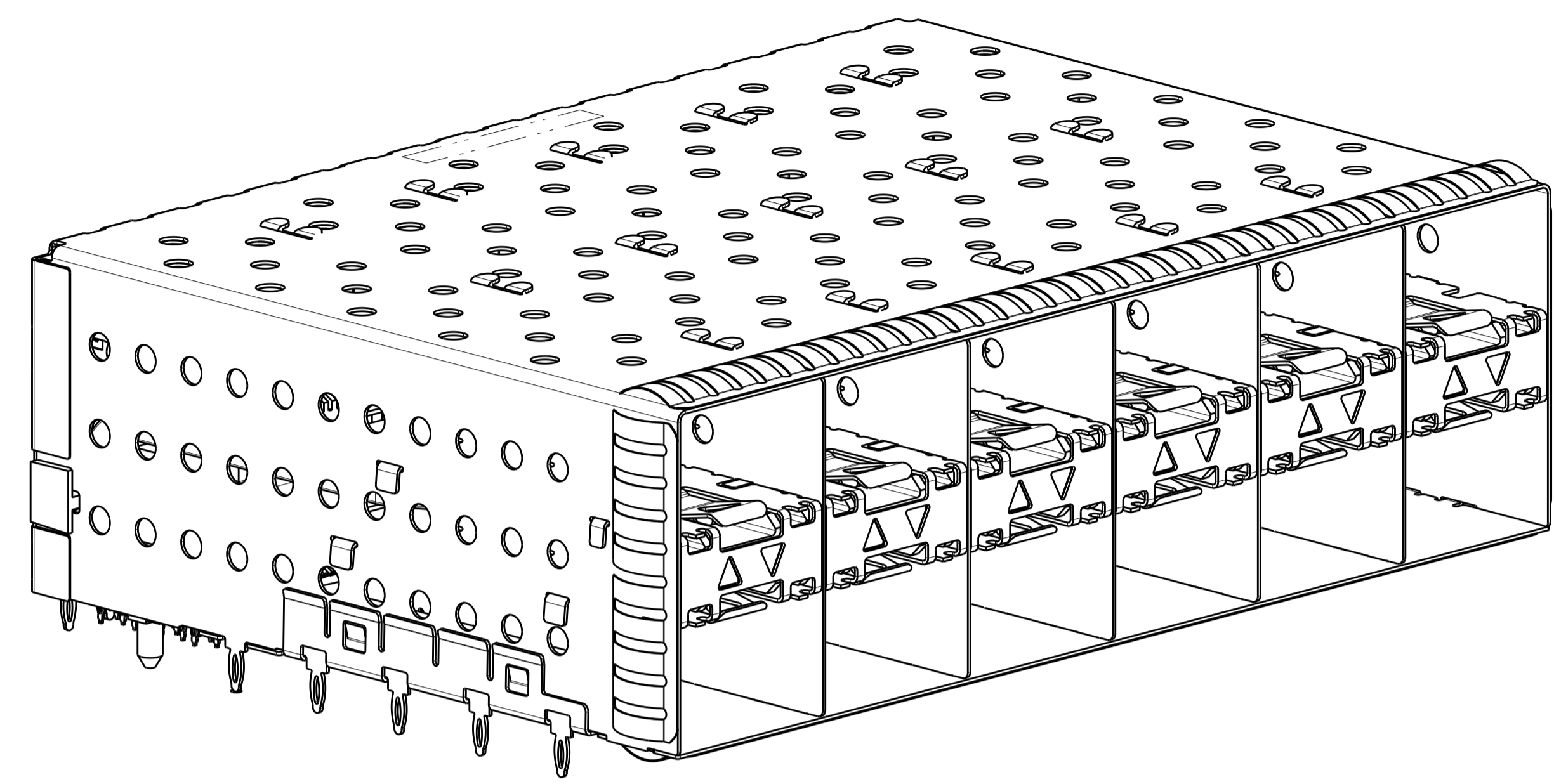
FINISH	DESCRIPTION	PART NUMBER
△5	NO LIGHT PIPES	2149328-8
	OUTER 2 LIGHT PIPES	2149328-7
	INNER 2 LIGHT PIPES	2149328-6
△4	4 LIGHT PIPES	2149328-5
	NO LIGHT LIGHT PIPES	2149328-4
	OUTER 2 LIGHT PIPES	2149328-3
SUPERSEDED	INNER 2 LIGHT PIPES	2149328-2
	4 LIGHT PIPES	2149328-1

THIS DRAWING IS A CONTROLLED DOCUMENT. DIMENSIONING AND TOLERANCING PER ASME Y14.5M-2009.		DWN: C. VALENTINE 02DEC2010	TE Connectivity
DIMENSIONS: mm		CHK: P. RECCE 02DEC2010	
TOLERANCES UNLESS OTHERWISE SPECIFIED:		APVD: P. RECCE 02DEC2010	NAME: CAGE AND PT CONNECTOR ASSEMBLY, WITH EMI SPRINGS, PRESS FIT, 2X6, STACKED SFP+
0 PLC ±0.10		PRODUCT SPEC: 108-2331	
1 PLC ±0.10		APPLICATION SPEC: 114-13219	SIZE: A1 CAGE CODE: 00779 DRAWING NO: 2149328
2 PLC ±0.10		WEIGHT: -	
3 PLC ±0.10		FINISH: △4 △5 △9	RESTRICTED TO
4 PLC ±0.10		CUSTOMER DRAWING	SCALE: 4:1 SHEET 1 OF 4 REV B
ANGLES: ±°			

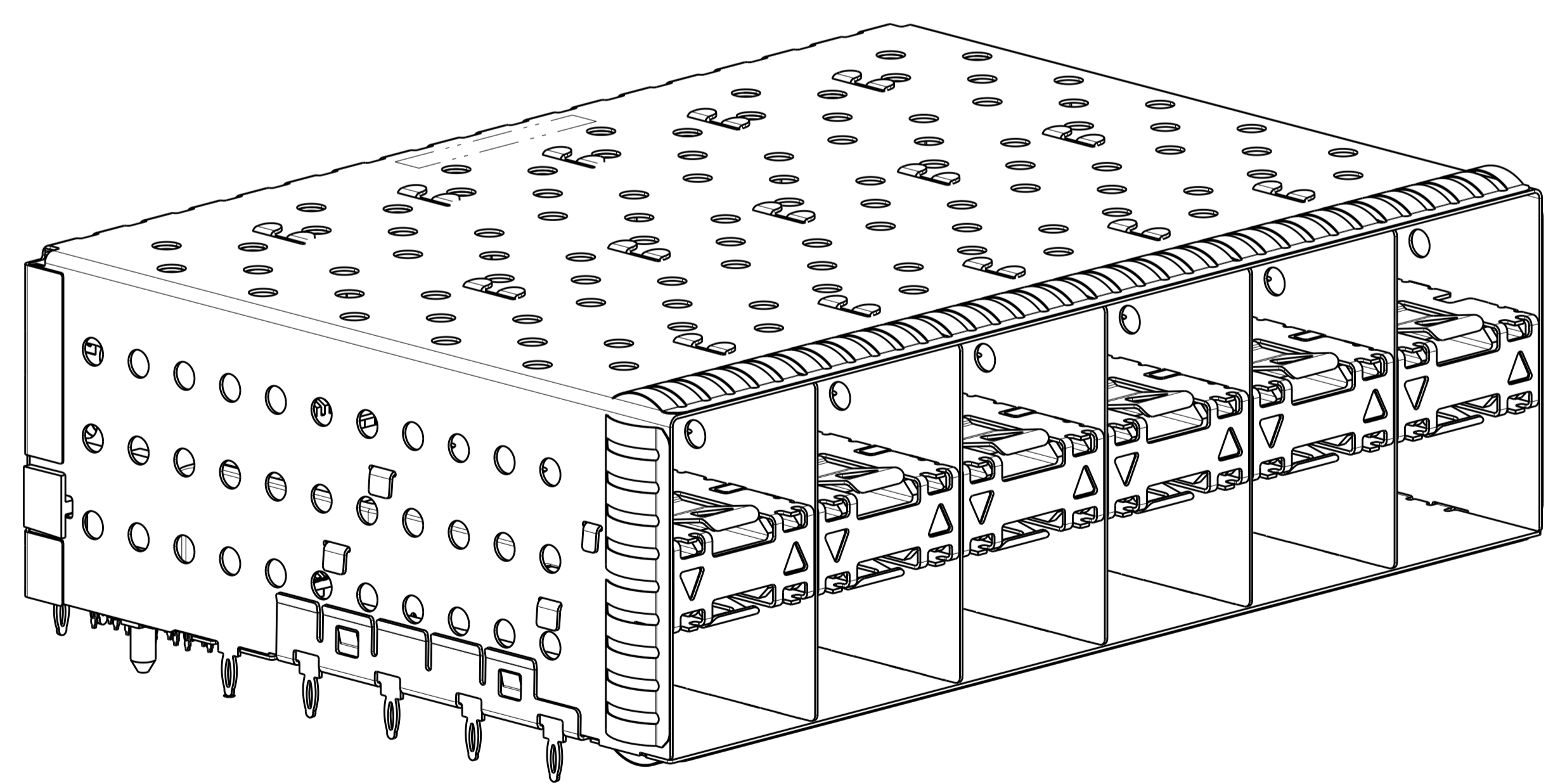
LOC	DIST	REVISIONS			
P	LYR	DESCRIPTION	DATE	DMN	APVD
-	-	SEE SHEET 1	-	-	-



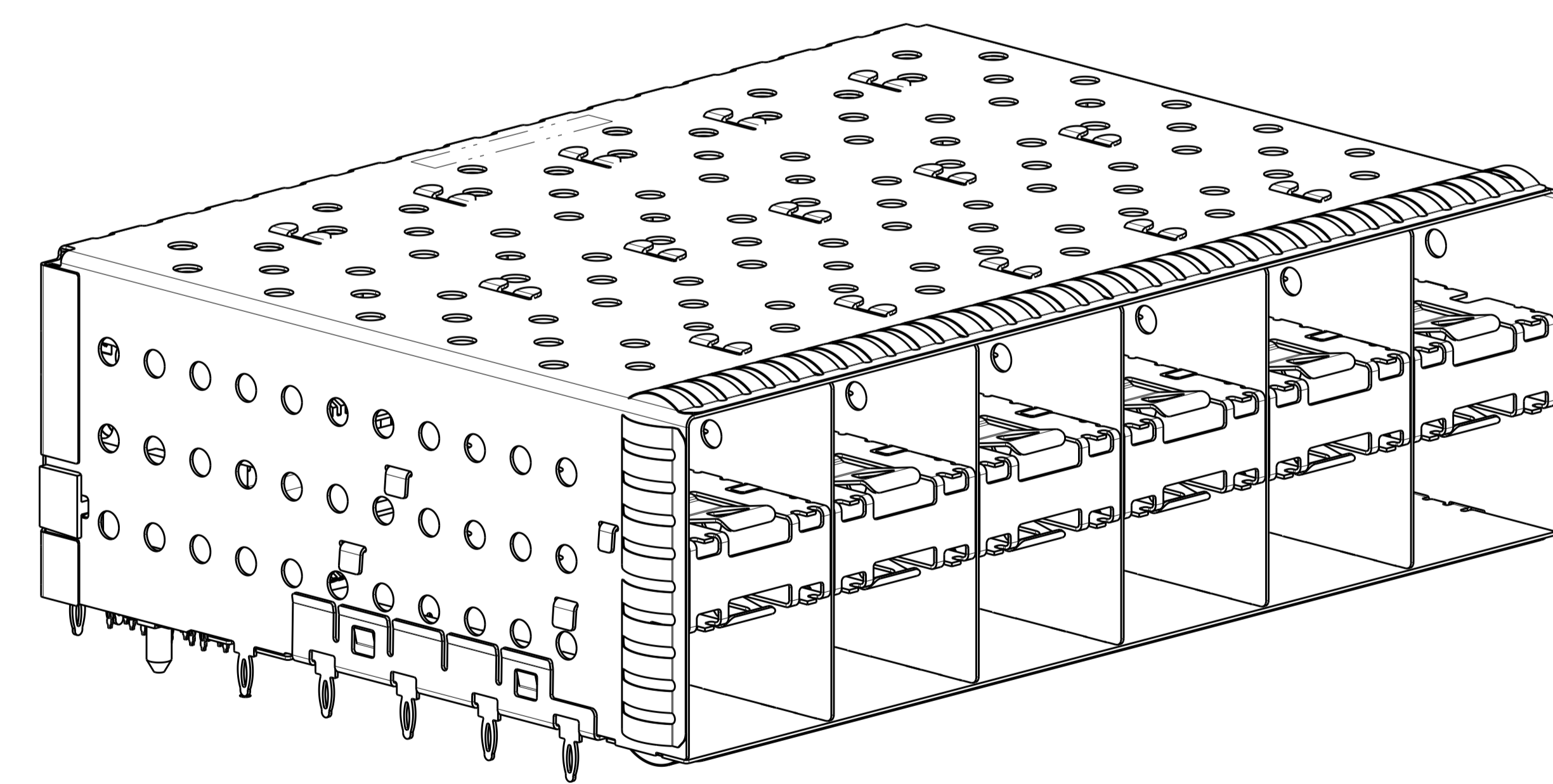
2149328-5
SCALE 3:1



2149328-6
SCALE 3:1



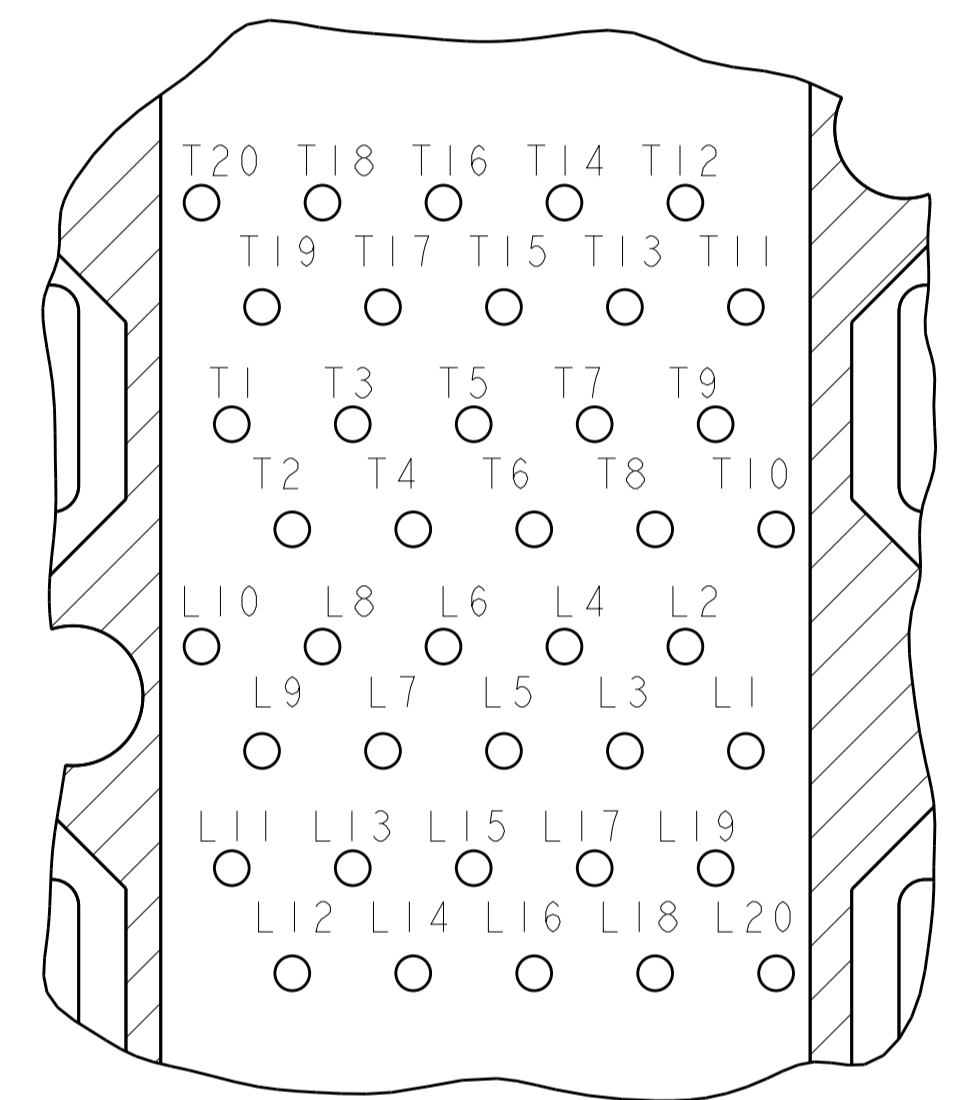
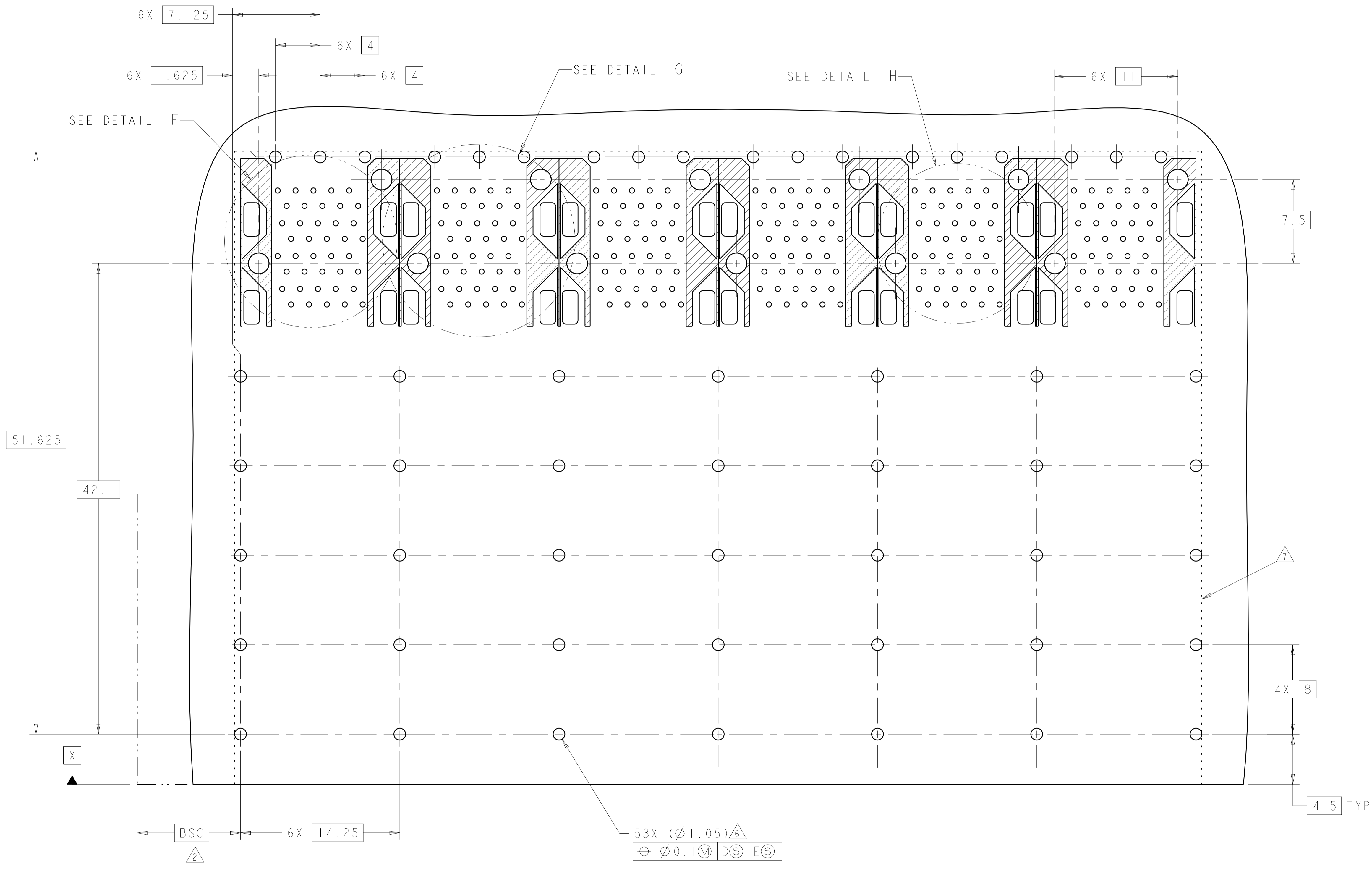
2149328-7
SCALE 3:1



2149328-8
SCALE 3:1

THIS DRAWING IS A CONTROLLED DOCUMENT. DIMENSIONING AND TOLERANCING PER ASME Y14.5M-2009.		DMN C. VALENTINE 02DEC2010	TE Connectivity
DIMENSIONS: mm		CHK P. RECCE 02DEC2010	
TOLERANCES UNLESS OTHERWISE SPECIFIED:		APVD P. RECCE 02DEC2010	NAME CAGE AND PT CONNECTOR ASSEMBLY, WITH EMI SPRINGS, PRESS FIT, 2X6, STACKED SFP+
0 PLC	±0.10	PRODUCT SPEC	SIZE 108-2331
1 PLC	±0.10	APPLICATION SPEC	RESTRICTED TO
2 PLC	±0.10	114-13219	A100779
3 PLC	±0.10	WEIGHT	SCALE 4:1
4 PLC	±0.10	CUSTOMER DRAWING	SHEET 2 OF 4
ANGLES	±°		REV B
FINISH			

LOC	DIST	REVISIONS					
GP	00	P	LTH	DESCRIPTION	DATE	DWN	APVD
		-		SEE SHEET 1			



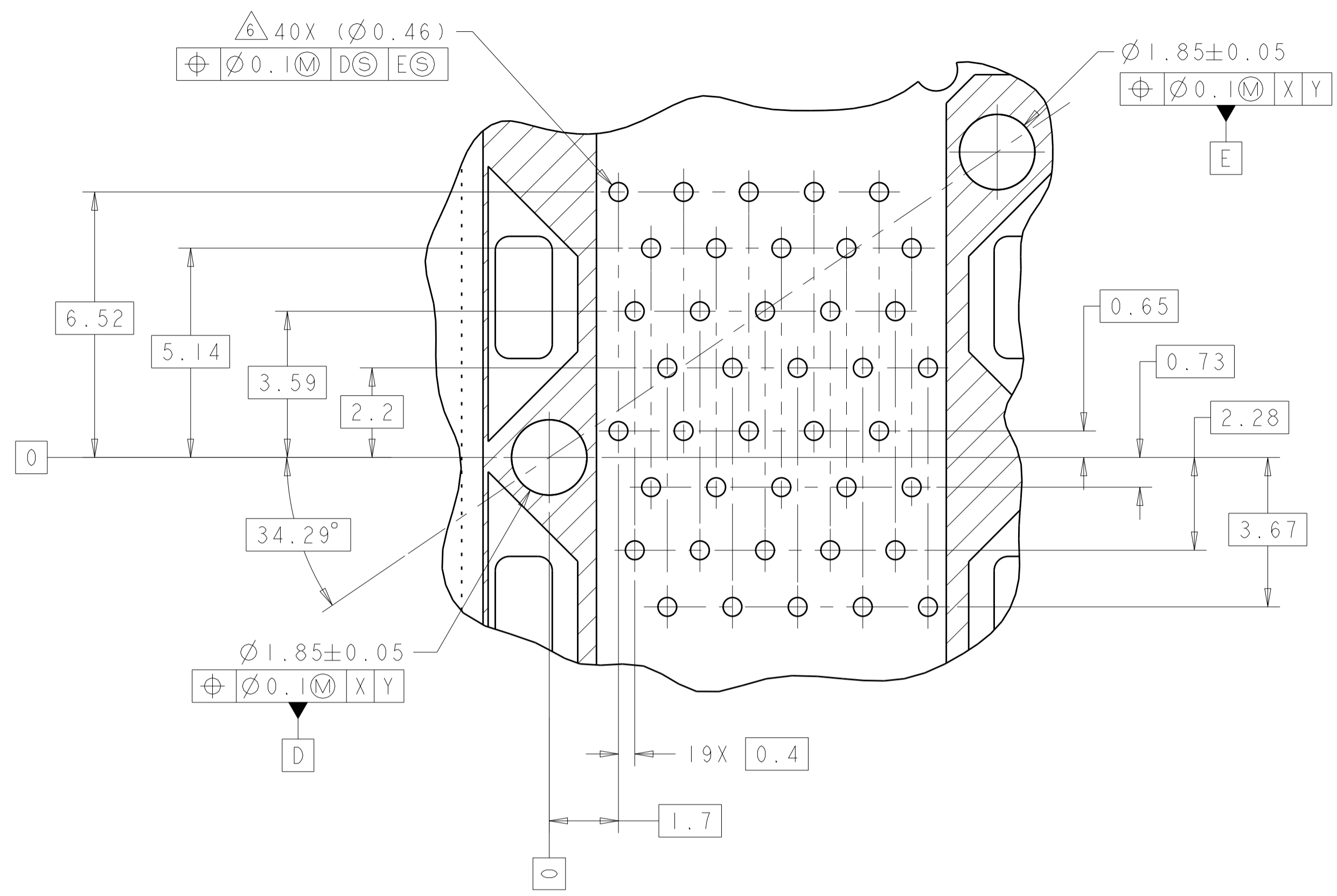
DETAIL H
 CONNECTOR PIN-OUT
 COMPONENT SIDE OF BOARD
 6X INDIVIDUALLY
 SCALE 10:1

RECOMMENDED PCB LAYOUT
 COMPONENT SIDE OF BOARD
 SCALE 5:1

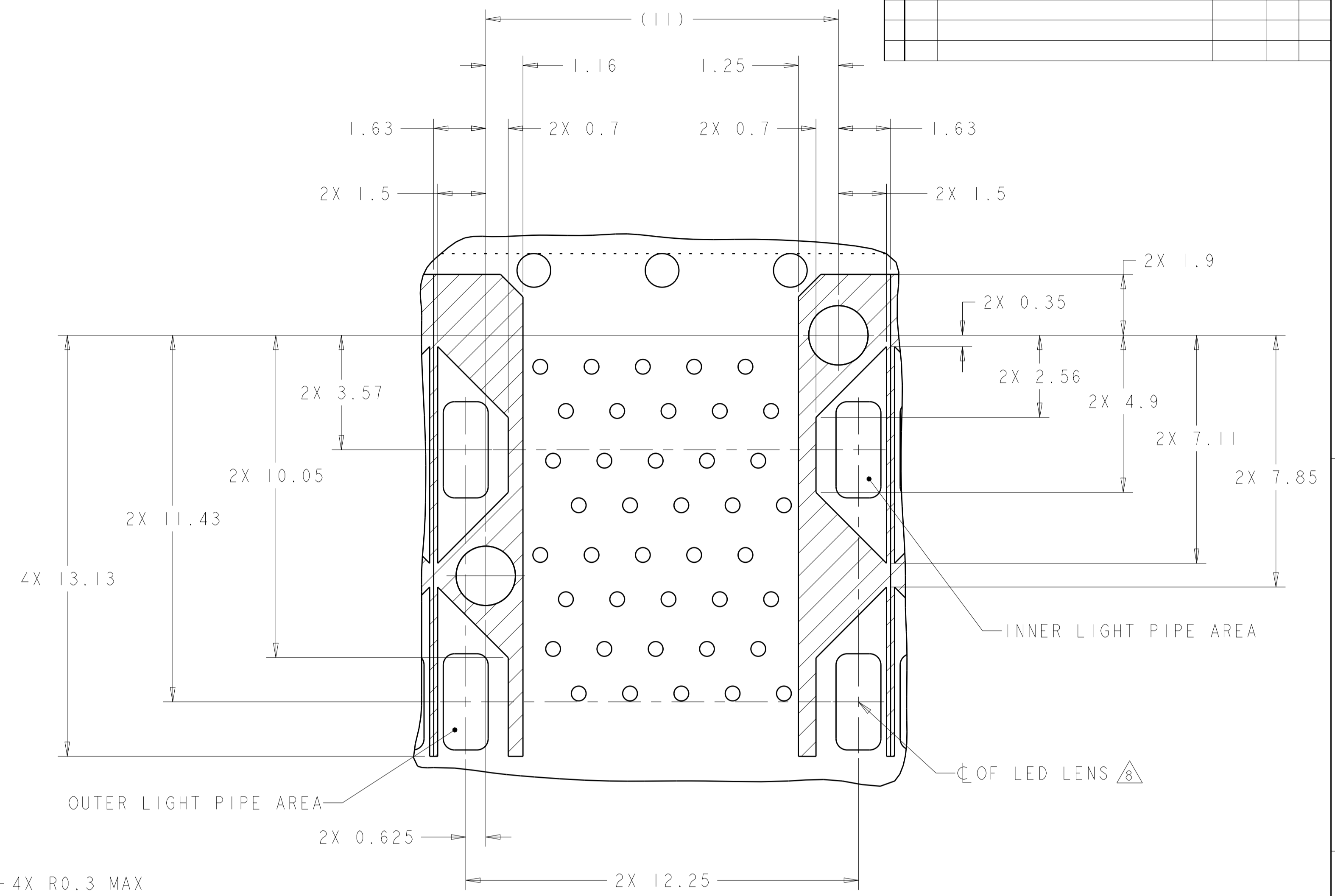
THIS DRAWING IS A CONTROLLED DOCUMENT. DIMENSIONING AND TOLERANCING PER ASME Y14.5M-2009.		DWN C. VALENTINE 02DEC2010	TE Connectivity
DIMENSIONS: mm		CHK P. RECCE 02DEC2010	
TOLERANCES UNLESS OTHERWISE SPECIFIED:		APVD P. RECCE 02DEC2010	NAME CAGE AND PT CONNECTOR ASSEMBLY, WITH EMI SPRINGS, PRESS FIT, 2X6, STACKED SFP+
0 PLC ±0.10 1 PLC ±0.10 2 PLC ±0.10 3 PLC ±0.10 4 PLC ±0.10 ANGLES ±°		PRODUCT SPEC 108-2331 APPLICATION SPEC 114-13219	SIZE A100779
MATERIAL		WEIGHT	RESTRICTED TO
FINISH		CUSTOMER DRAWING	SCALE 4:1 SHEET 3 OF 4 REV B

LOC	DIST	REV	DATE	BY	APPD
GP	00				

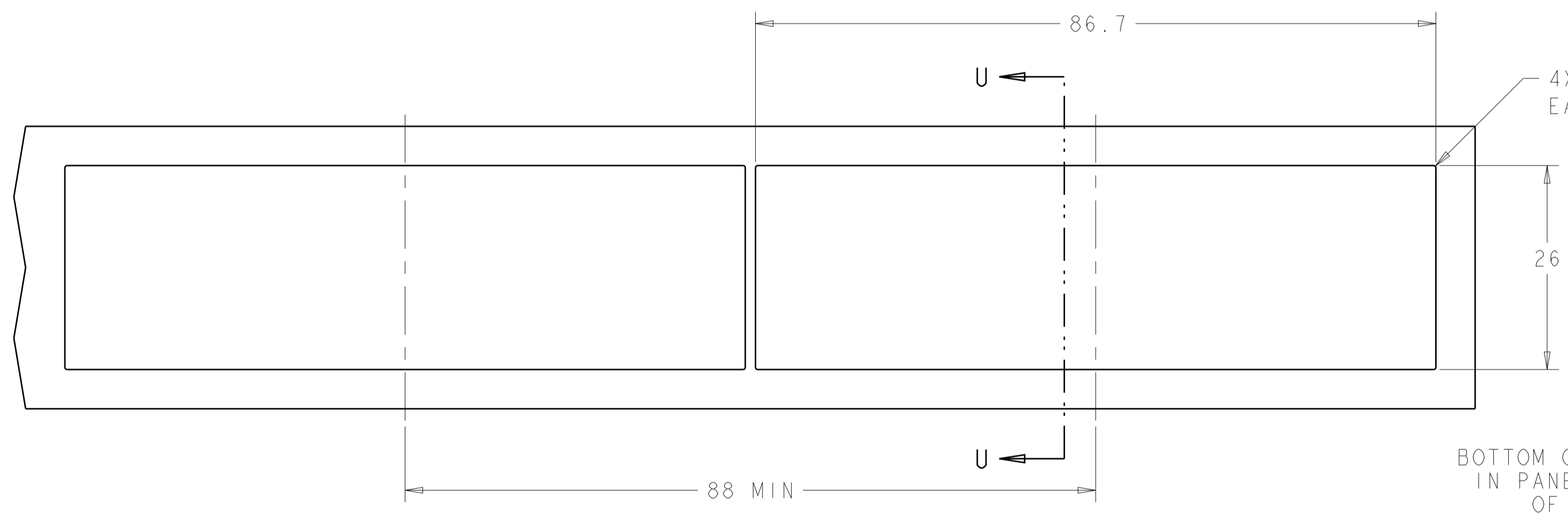
REVISIONS		
NO.	DESCRIPTION	DATE
1	SEE SHEET 1	



DETAIL F
 6X INDIVIDUALLY
 SCALE 10:1

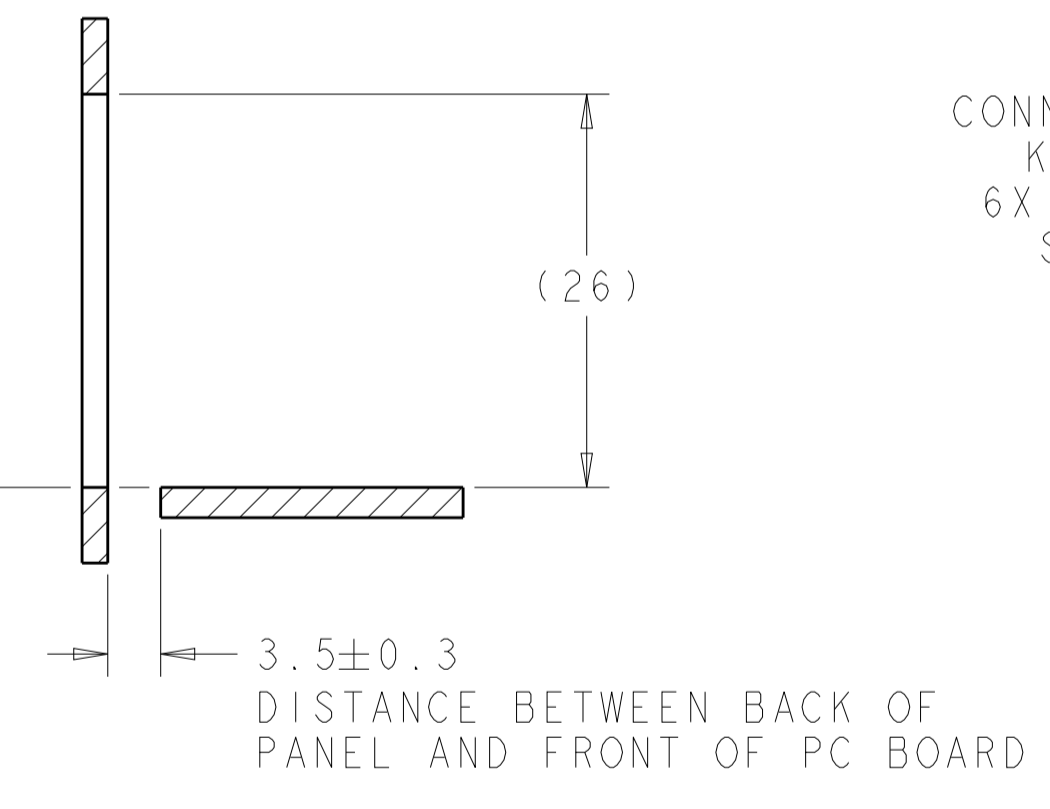


DETAIL G
 CONNECTOR HOUSING
 KEEPOUT ZONE
 6X INDIVIDUALLY
 SCALE 10:1

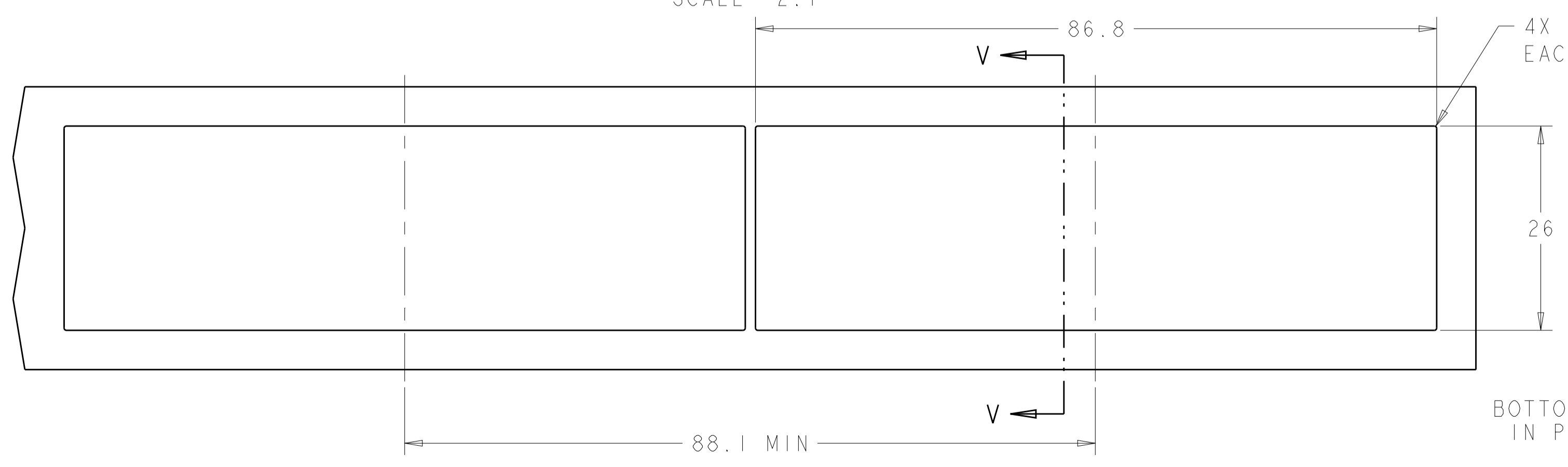


RECOMMENDED PANEL CUTOUT
 AND PC BOARD, PANEL POSITION
 SCALE 2:1

0±0.1
 BOTTOM OF CUTOUT
 IN PANEL TO TOP
 OF PC BOARD

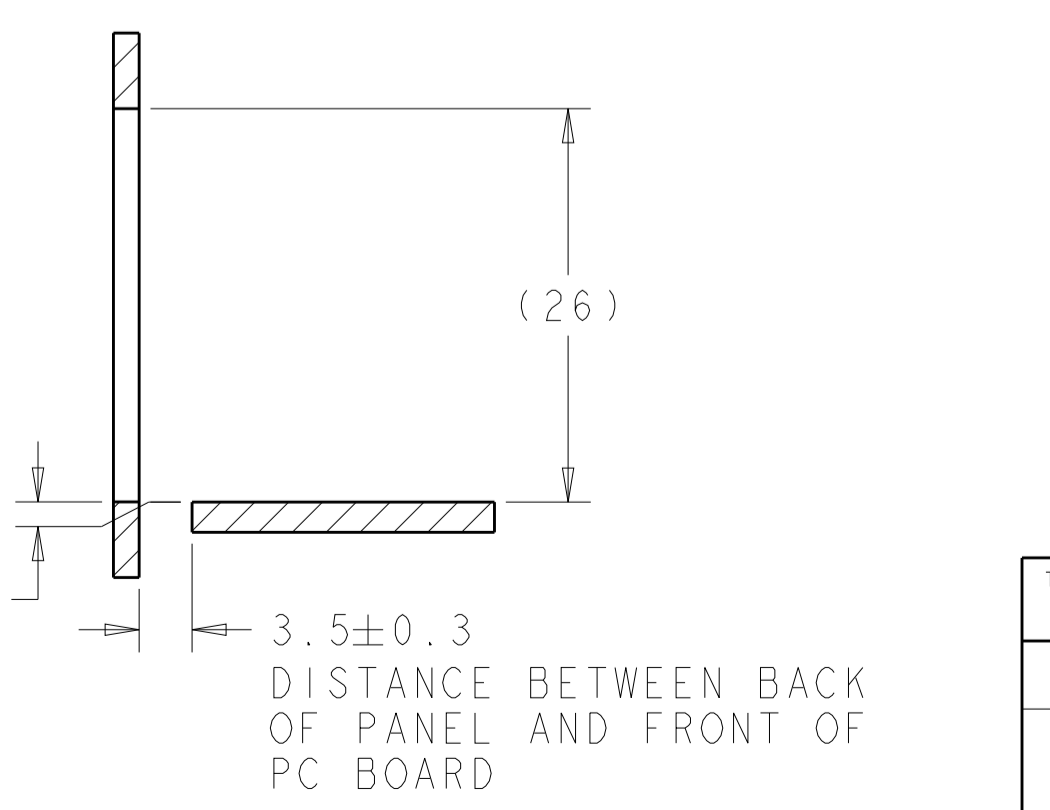


SECTION U-U



ALTERNATE PANEL CUTOUT
 AND PC BOARD, PANEL POSITION
 SCALE 2:1

0.01±0.1
 BOTTOM OF CUTOUT
 IN PANEL TO TOP
 OF PC BOARD



SECTION V-V

THIS DRAWING IS A CONTROLLED DOCUMENT. DIMENSIONING AND TOLERANCING PER ASME Y14.5M-2009.		DWN: C. VALENTINE 02DEC2010 CHK: P. RECCE 02DEC2010 APPD: P. RECCE 02DEC2010	TE Connectivity NAME: CAGE AND PT CONNECTOR ASSEMBLY, WITH EMI SPRINGS, PRESS FIT, 2X6, STACKED SFP+
DIMENSIONS: mm	TOLERANCES UNLESS OTHERWISE SPECIFIED:	PRODUCT SPEC: 108-2331 APPLICATION SPEC: 114-13219	
MATERIAL:	FINISH:	WEIGHT: 1.14-13219	SIZE: A100779 CAGE CODE: 2149328 CUSTOMER DRAWING
SCALE: 4:1			SHEET: 4 OF 4 REV: B