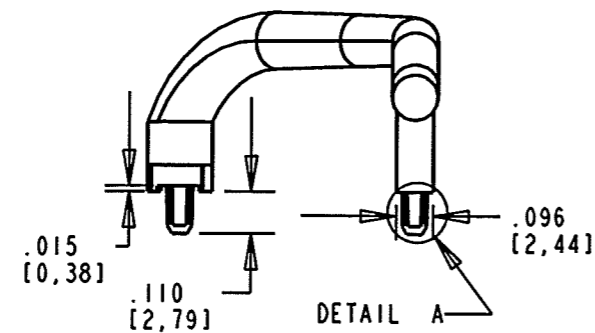
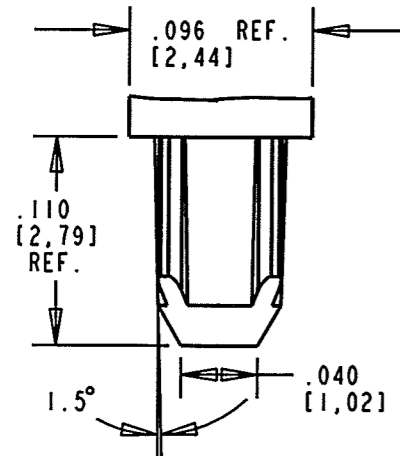
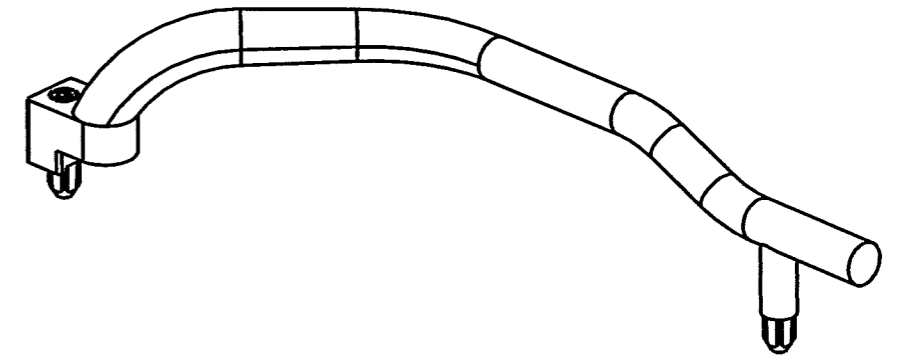
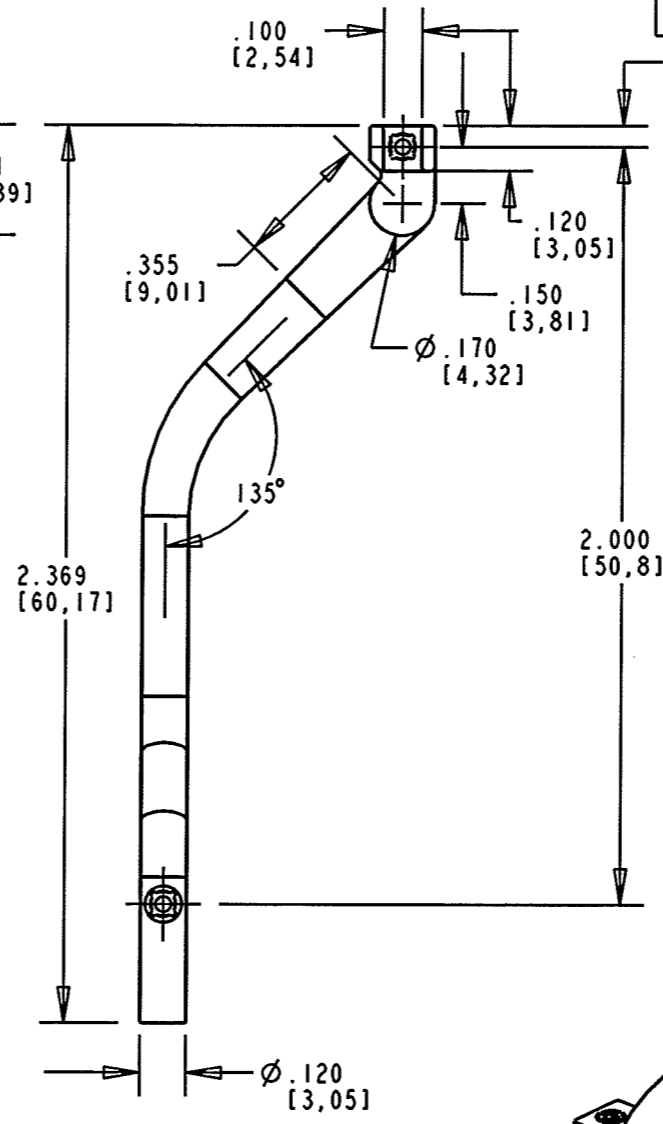
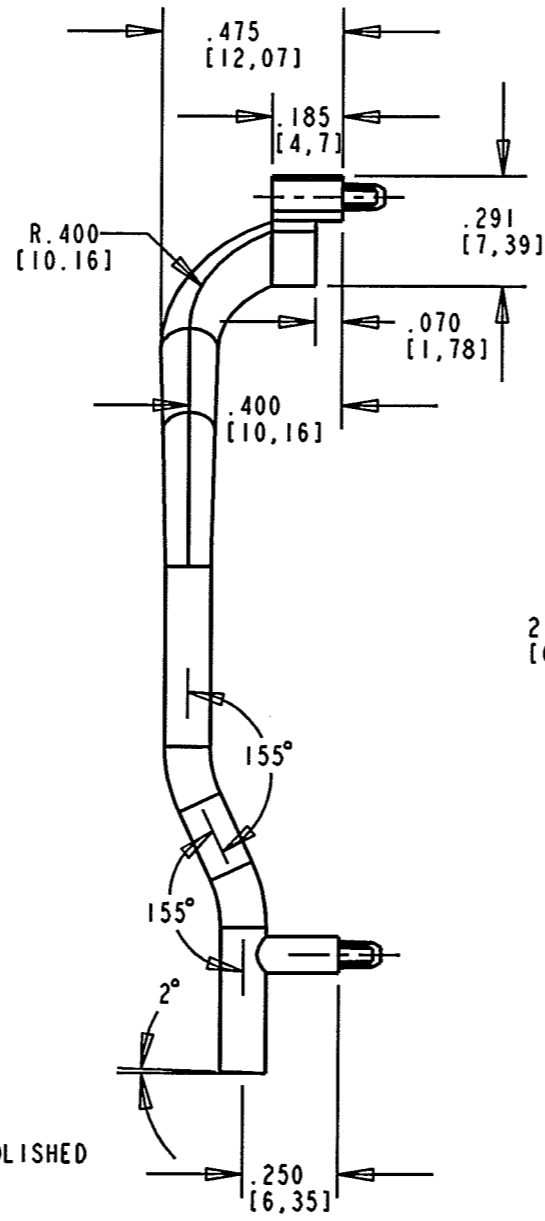
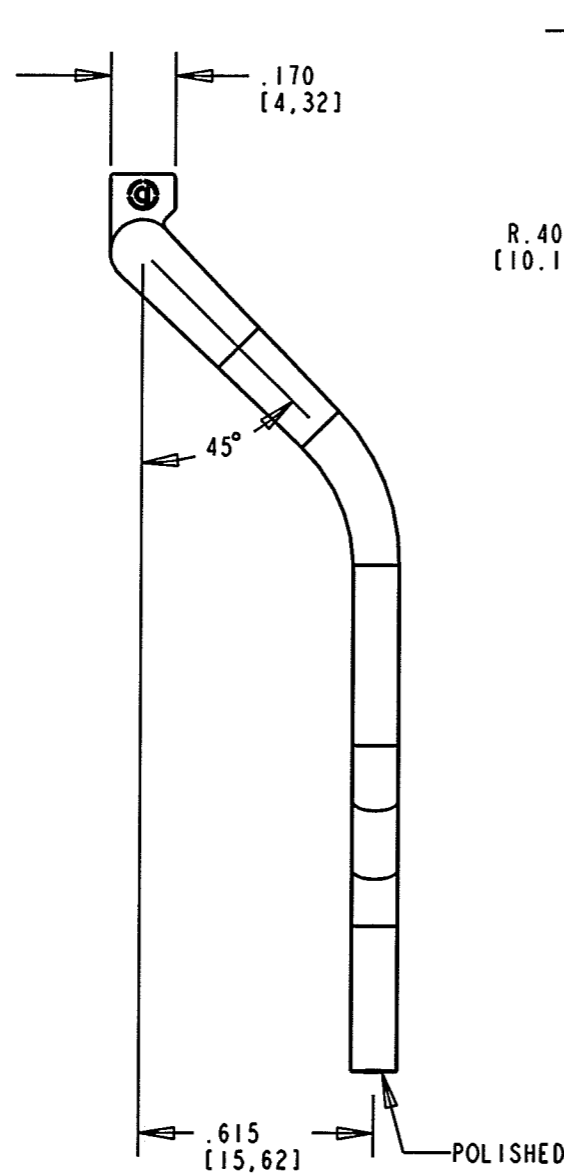
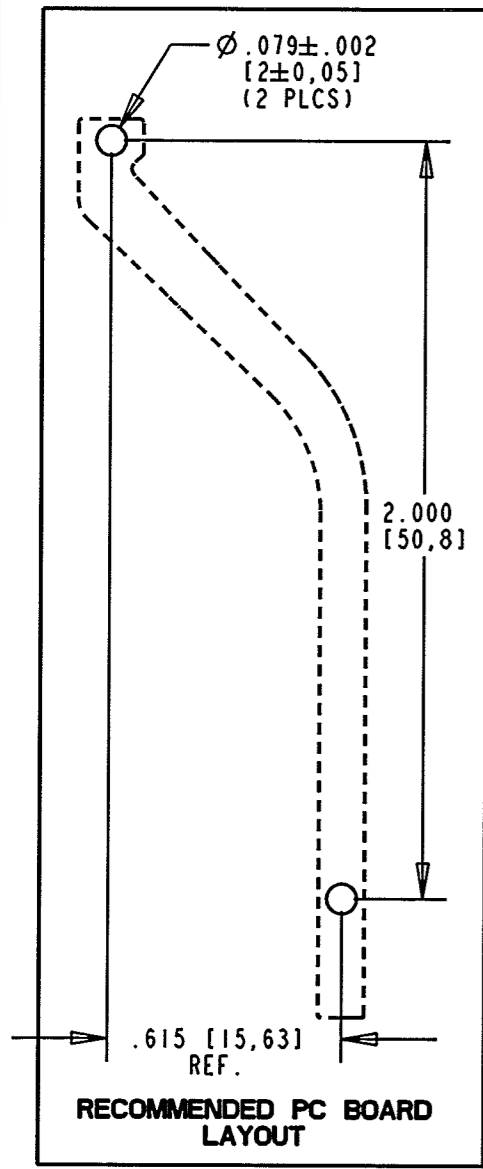
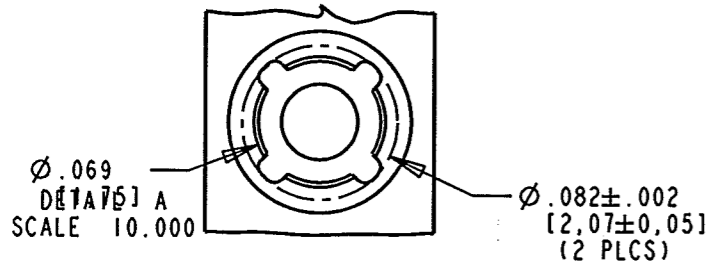


REV.	ECN NO.	REVISIONS	DRN.	CKD.	APP.	DATE
A		NEW RELEASE	YIS	JMC	NO	8-21-03
B		ADDED DRAFT ANGLE 1.5° AND 0.04 DIA. IN PRESS FIT DETAIL VIEW.	YIS	JMC	M.D.	8-22-03



NOTES:

1. KNOCKOUT PROJECTIONS OR RECESSES NOT TO EXCEED .005.
2. FLASH NOT TO EXCEED .003.
3. SINK MARKS NOT TO EXCEED .005 UNLESS OTHERWISE SPECIFIED.
4. NO BUBBLES IN CRITICAL LIGHTPATH GREATER THAN .005".
5. UNLESS OTHERWISE SPECIFIED, ALL SURFACES MUST HAVE FINISH OF SPI A2 TO B1.
6. DIALIGHT LIGHTPIPE PART NUMBER: 515-1136.



THIS DRAWING AND THE CONTENTS HEREIN ARE CONFIDENTIAL AND THE SOLE PROPERTY OF DIALIGHT. REPRODUCTION OF THIS DRAWING OR CONSTRUCTION OF ANY PARTS WITHIN THIS DRAWING ARE FORBIDDEN WITHOUT THE WRITTEN CONSENT OF DIALIGHT.		
SCALE: 2.000 ALL DIM'S IN: INCHES (MM)	DRAWING NUMBER C-17077	REV B
TOLERANCES: UNLESS OTHERWISE SPECIFIED FRACTIONS: ±1/64 DECIMALS (.XX): ±.01 DECIMALS (.XXX): ±.005 DECIMALS (.XXXX): ±.0005 ANGLES: ±1°	TITLE LIGHTPIPE, RIGHT SIDE	
FINISH:	MATERIAL CLEAR POLYCARBONATE (UL94 V-0)	
FSCM 83330	Dialight	1501 ROUTE 34 SOUTH FARMINGDALE, NJ 07727
	SHEET OF	FAMILY TABLE: