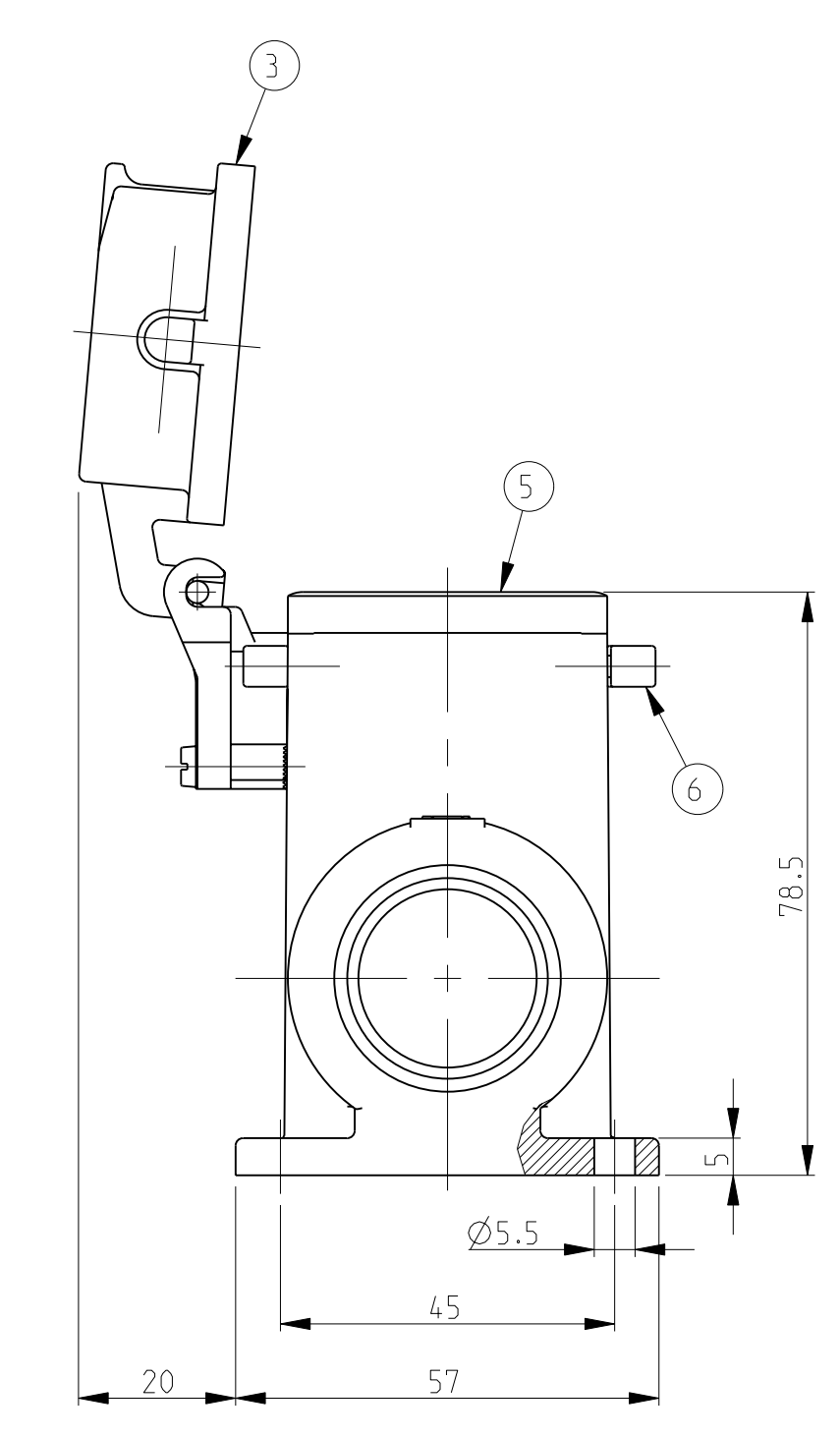
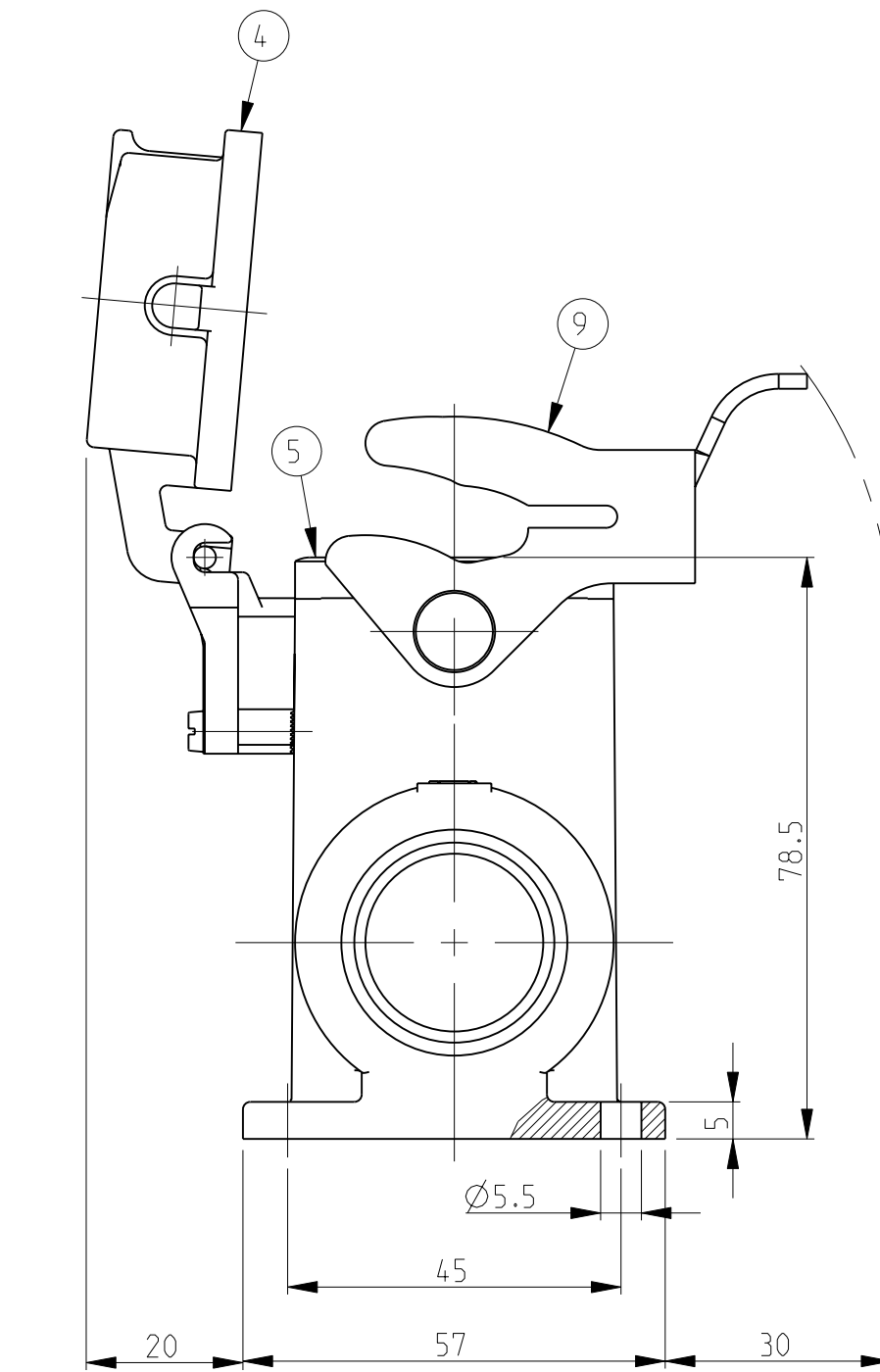
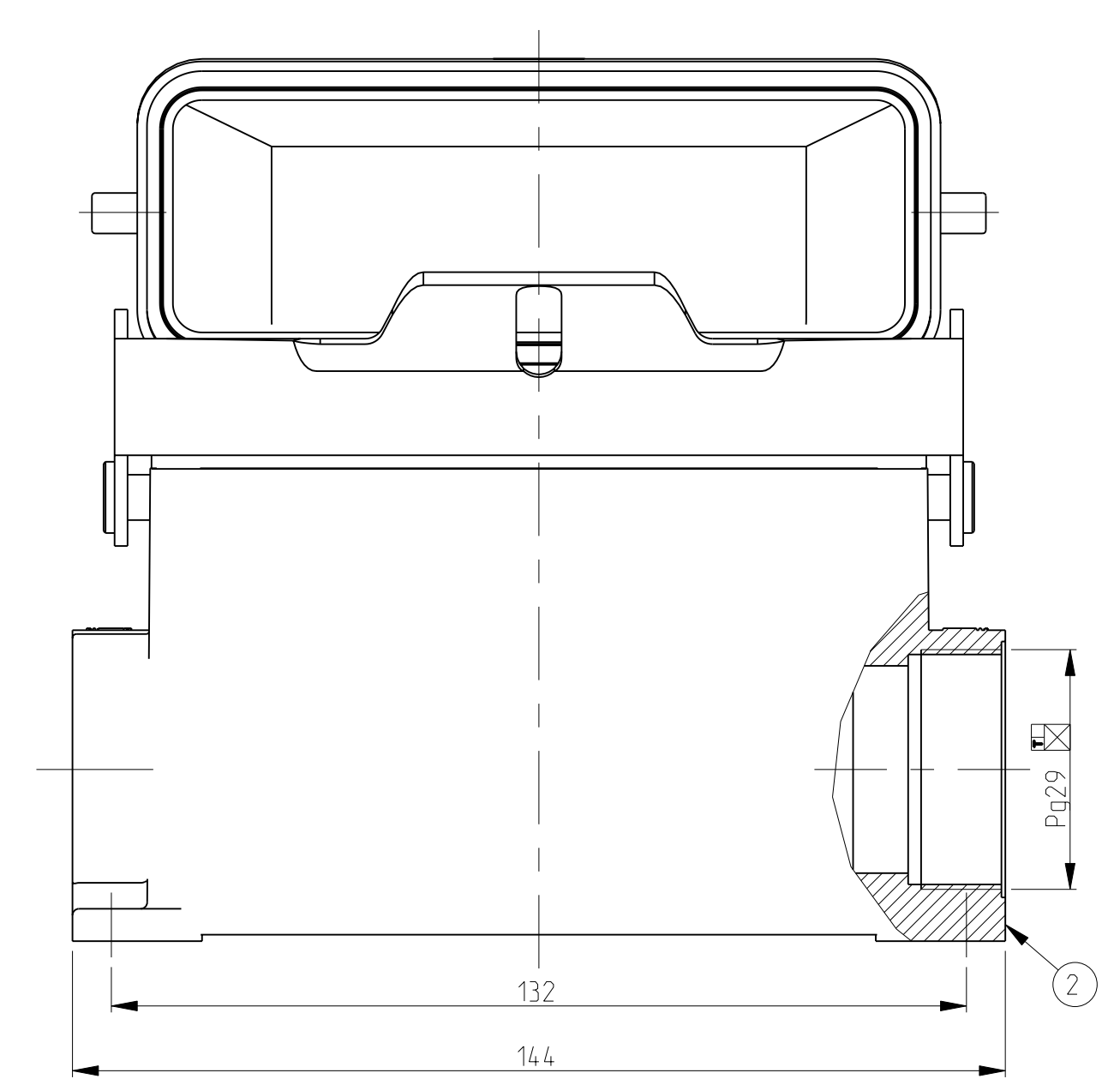


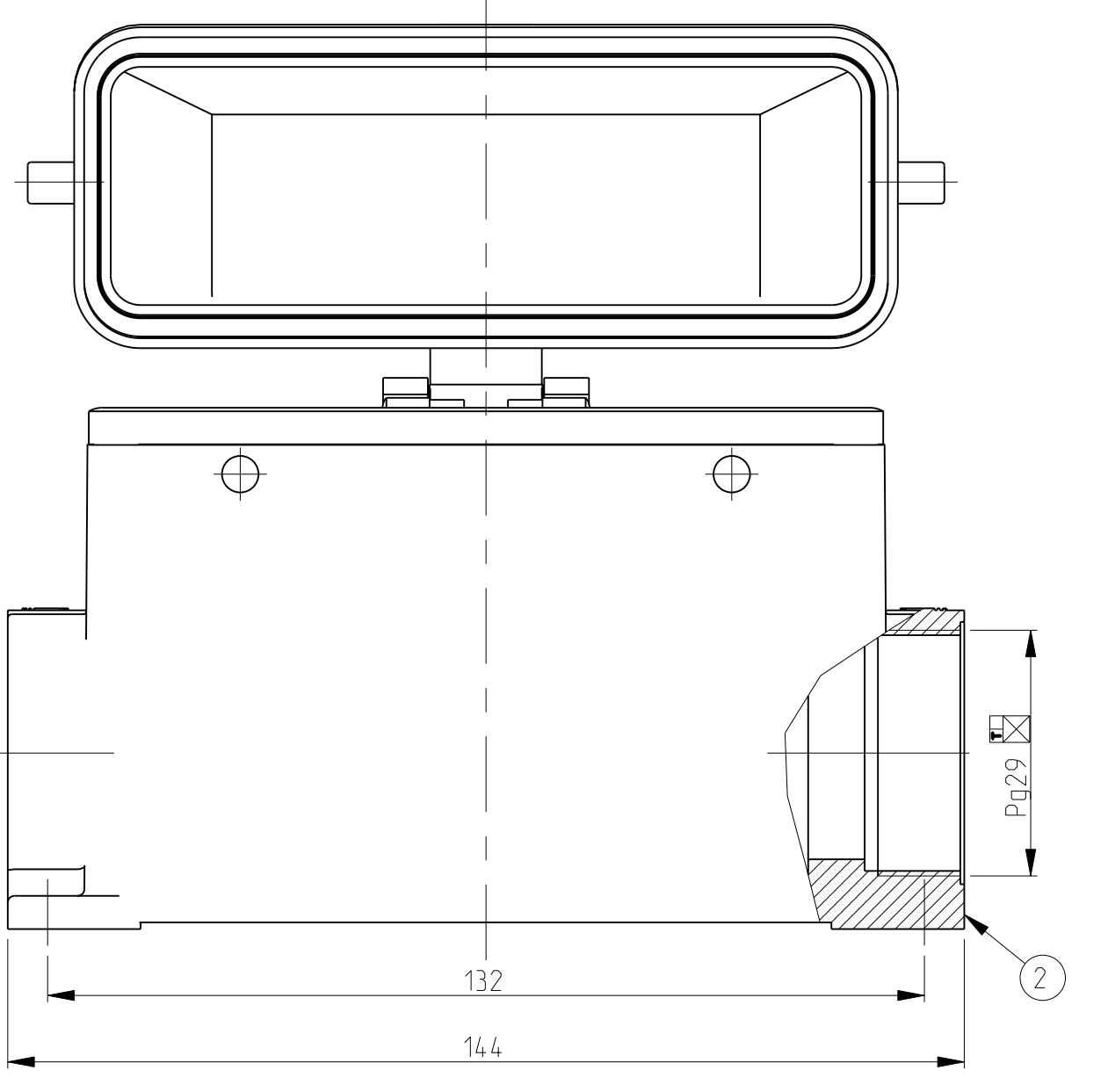
PN 1-6



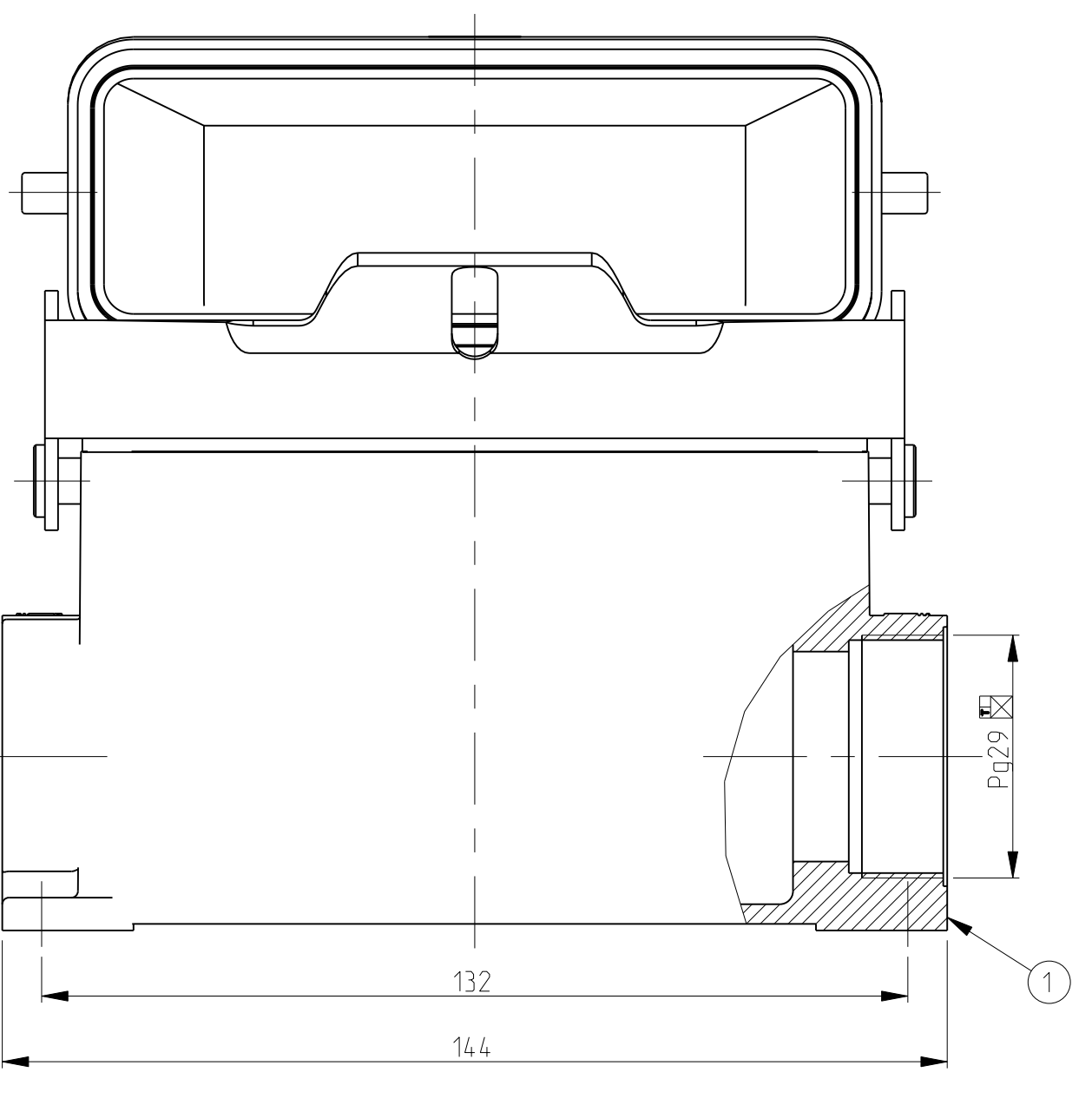
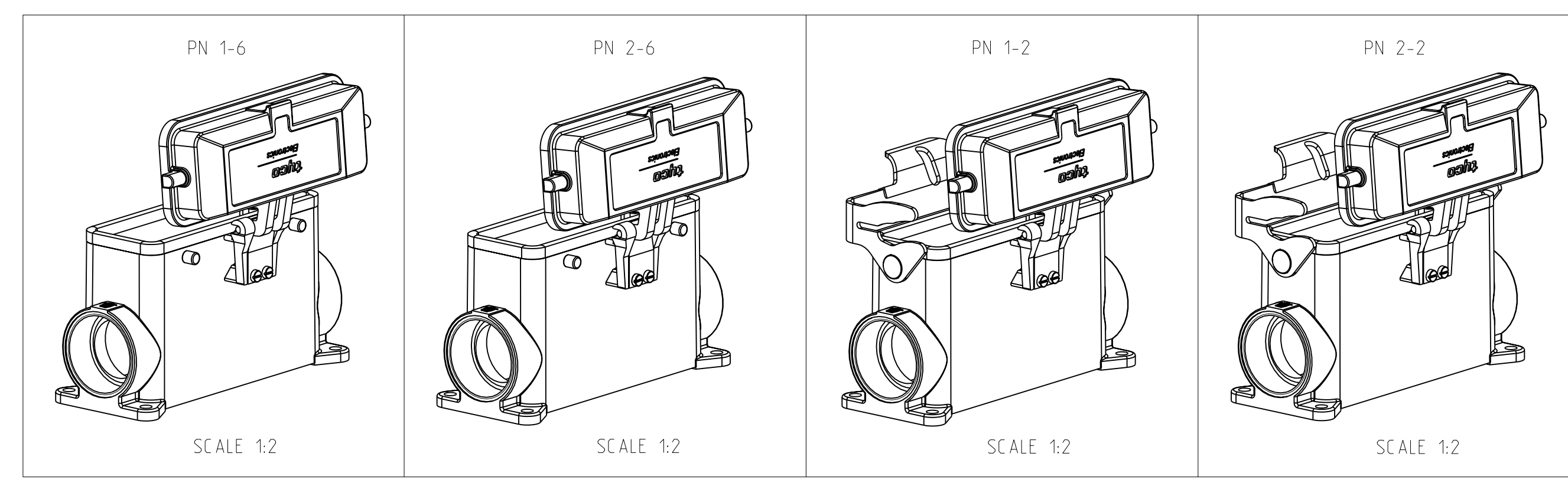
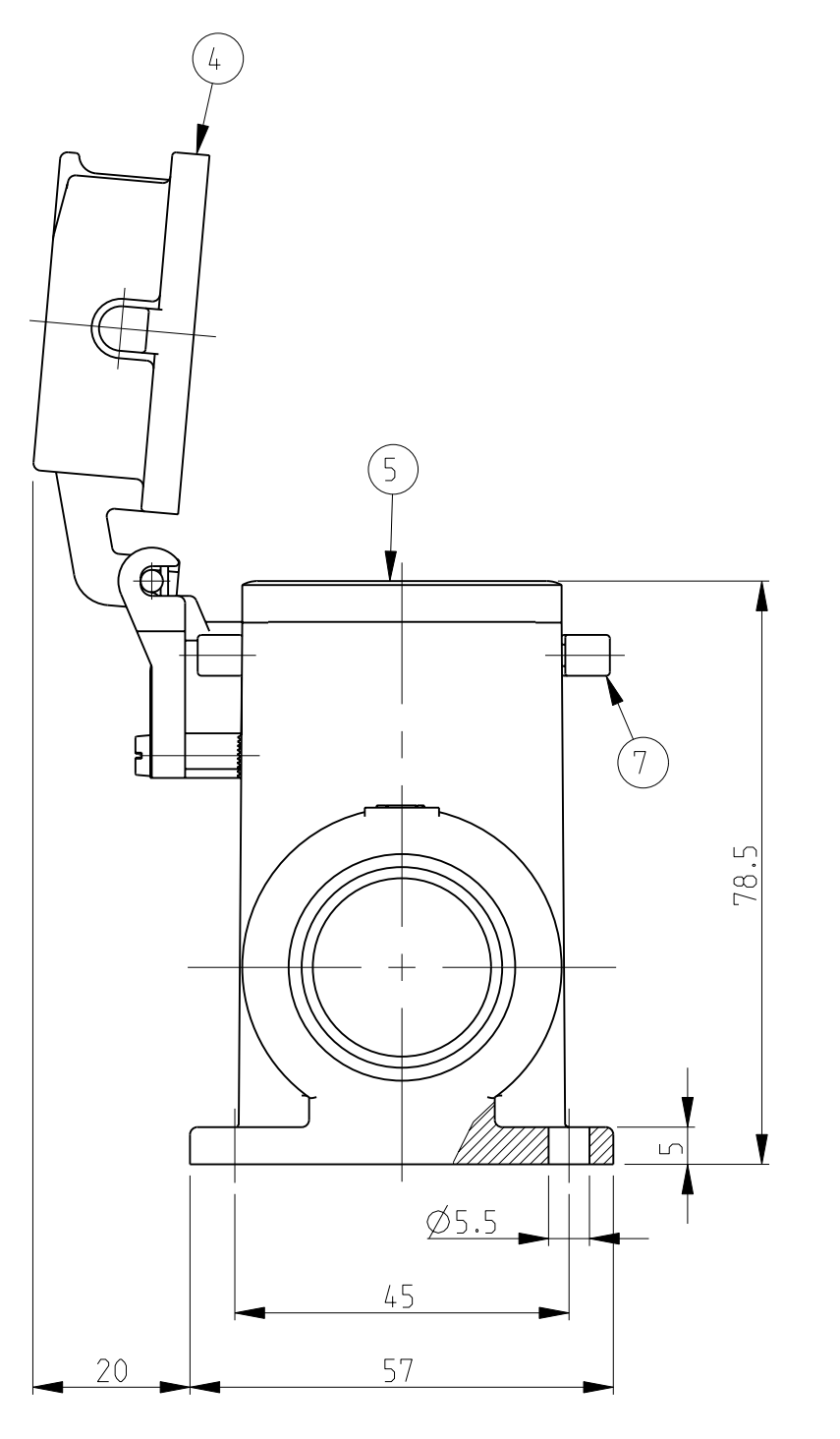
PN 2-2



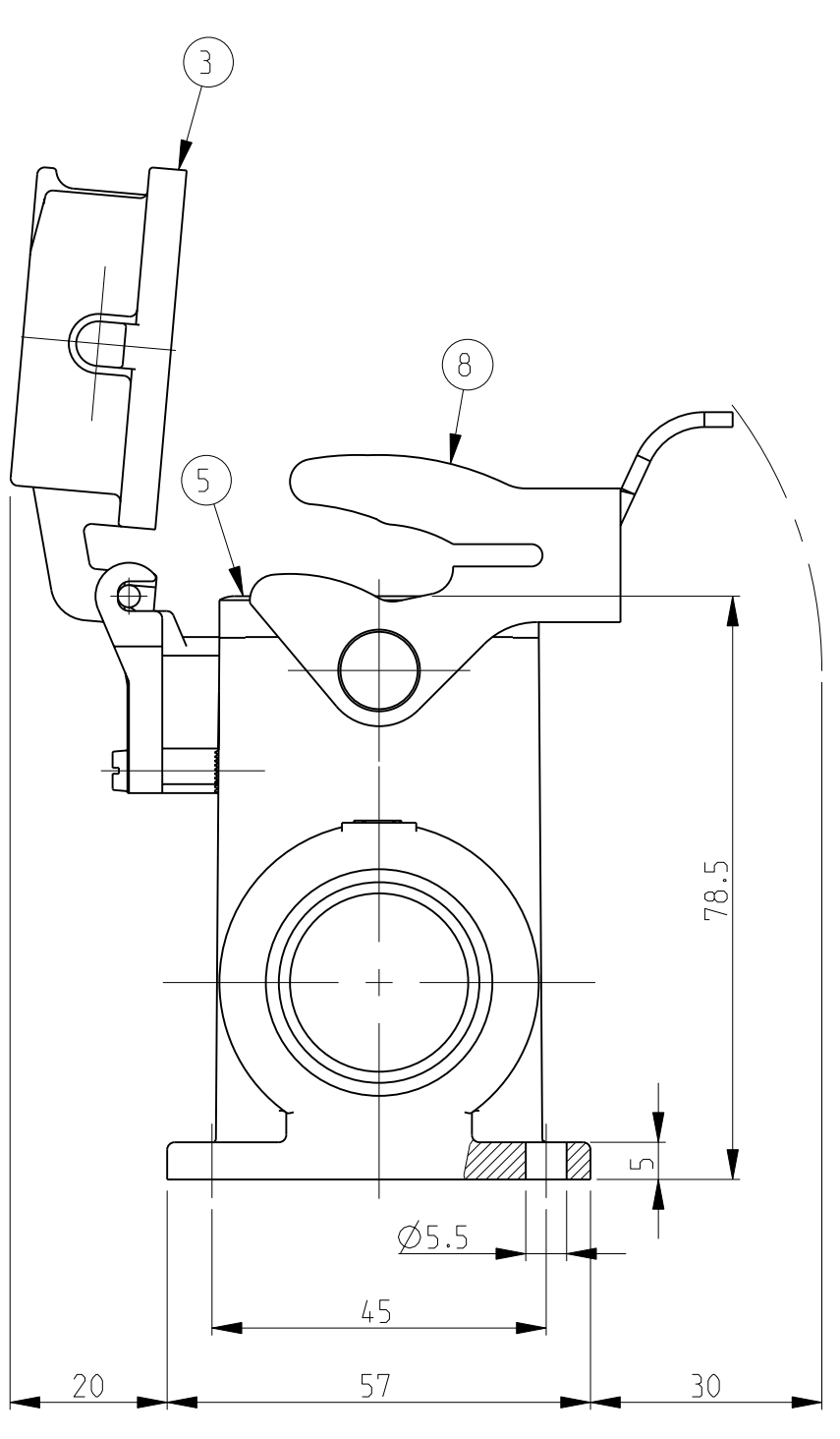
- NOTES.
- 1 Material:Housing:Aluminium Diecasting Alloy  
Seals:Neoprene
  - 2 Surface:Varnish grey  
-Aluminium Oxide +Varnish Black
  - 3 Varnish on the inside not necessary
  - 4 Packaging  
Quantity 5 Pieces in a box



PN 2-6



PN 1-2



| QTY  | DESCRIPTION  | MATERIAL        | SURFACE     | COLOR | ITEM NO | REMARKS                                 |           |                 |       |   |  |
|--|--------------|-----------------|-------------|-------|---------|---|-----------|-----------------|-------|---|--|
| 1  | LB-Side clip | Stainless steel |             | Blank | 9       |   |           |                 |       |   |  |
| 1  | LB-Side clip | Steel           | Zinc plated | Blue  | 8       |   |           |                 |       |   |  |
| 4  | VS-Clip bolt | Stainless steel |             | Blank | 7       |   |           |                 |       |   |  |
| 4  | VS-Clip bolt | Steel           | Zinc plated | Blue  | 6       |   |           |                 |       |   |  |
| 1  | 1            | 1               | 1           | 1     | 1       | Profile seal                            | Neoprene  |                 | Black | 5 |  |
| 1  | 1            | 1               | 1           | 1     | 1       | Cover finished product HB-K             | Aluminium | Aluminium oxide | Black | 4 |  |
| 1  | 1            | 1               | 1           | 1     | 1       | Cover finished product HB               | Aluminium | Aluminium oxide | Black | 3 |  |
| 1  | 1            | 1               | 1           | 1     | 1       | Surface mounted housing side entry HD-K | Aluminium | Aluminium oxide | Black | 2 |  |
| 1  | 1            | 1               | 1           | 1     | 1       | Surface mounted housing side entry HD   | Aluminium |                 | Grey  | 1 |  |
| 2-2  | 1-2          | 2-6             | 1-6         |       |         | ORDERING TEXT                           |           |                 |       |   |  |
| HD.64.SGD.1.29.Z   |              |                 |             |       |         |   |           |                 |       |   |  |
| HD-K.64.SGD.1.29.Z   |              |                 |             |       |         |   |           |                 |       |   |  |
| HD.64.SGD-LB.1.29.Z  |              |                 |             |       |         |   |           |                 |       |   |  |
| HD-K.64.SGD-LB.1.29.Z  |              |                 |             |       |         |   |           |                 |       |   |  |
| DIMENSIONS: (mm) TOLERANCES UNLESS OTHERWISE SPECIFIED: DIMENSIONS IN PARENTHESES ARE FOR INFORMATION ONLY |              |                 |             |       |         |   |           |                 |       |   |  |
| DRAWN: Schneider 30.09.03  |              |                 |             |       |         |   |           |                 |       |   |  |
| CHK: Schneider 30.09.03  |              |                 |             |       |         |   |           |                 |       |   |  |
| APPD: Schneider 30.09.03   |              |                 |             |       |         |   |           |                 |       |   |  |
| NAME: Tyco Electronics   |              |                 |             |       |         |   |           |                 |       |   |  |
| ADDRESS: Tyco Electronics AMP GmbH, D-53819 Neunkirchen, Germany   |              |                 |             |       |         |   |           |                 |       |   |  |
| PRODUCT SPEC: Surface mounted housing side entry HD.64.SGD.1.29.Z  |              |                 |             |       |         |   |           |                 |       |   |  |
| APPLICATION SPEC:  |              |                 |             |       |         |   |           |                 |       |   |  |
| MATERIAL: FINISH:  |              |                 |             |       |         |   |           |                 |       |   |  |
| REMARKS:   |              |                 |             |       |         |   |           |                 |       |   |  |
| CUSTOMER DRAWING: SCALE: 1:1 SHEET: 1 OF 1 REV: A2   |              |                 |             |       |         |   |           |                 |       |   |  |