

4

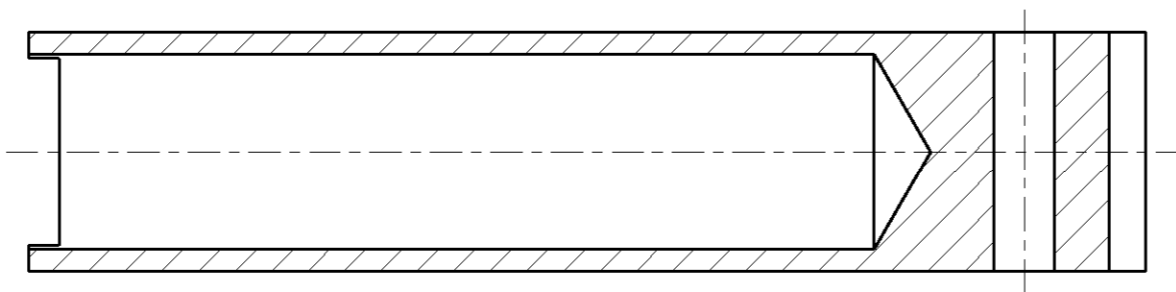
3

2

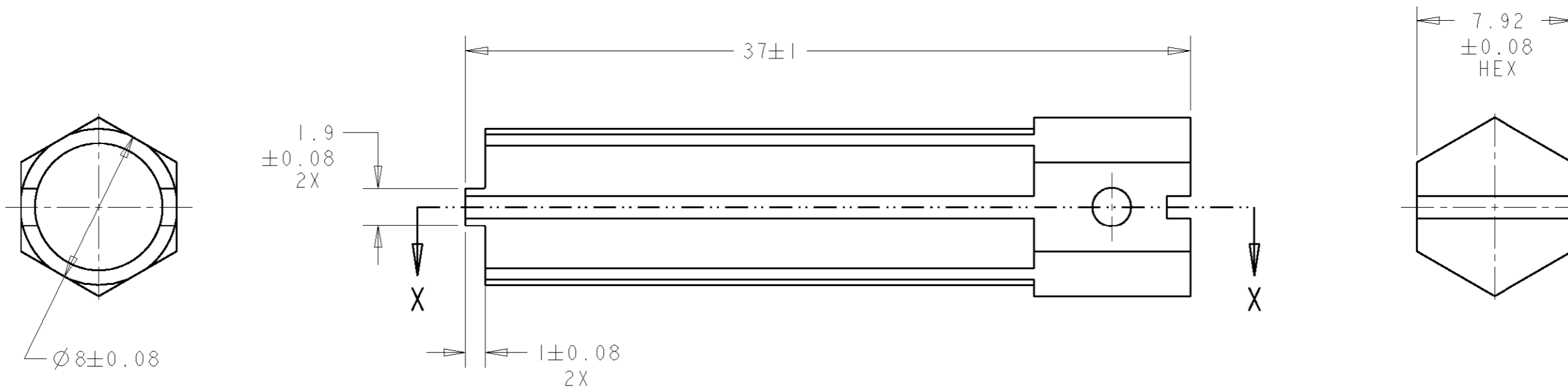
1

THIS DRAWING IS UNPUBLISHED. RELEASED FOR PUBLICATION 20
© COPYRIGHT 20 BY TYCO ELECTRONICS CORPORATION. ALL RIGHTS RESERVED.

LOC	DIST	REVISIONS			
P	LTR	DESCRIPTION	DATE	DWN	APVD
DF	A5	0	RELEASED PER 0H14-0474-04	13JUL2004	BY WB



SECTION X - X



AS SHOWN	1604972-1
DESCRIPTION	PART NO.

1. MATERIAL: STAINLESS STEEL.

<small>THIS DRAWING IS A CONTROLLED DOCUMENT FOR TYCO ELECTRONICS CORPORATION IT IS SUBJECT TO CHANGE AND THE CONTROLLING ENGINEERING ORGANIZATION SHOULD BE CONTACTED FOR THE LATEST REVISION.</small>		DWN Brent D. Yohn 13JUL2004 CHR W.H. BERNHART 13JUL2004 APVD W.H. BERNHART 13JUL2004	tyco Electronics Tyco Electronics Harrisburg, PA 17105-3608
DIMENSIONS: mm 	TOLERANCES UNLESS OTHERWISE SPECIFIED: 0 PLC ± 1 PLC ± 2 PLC ± 3 PLC ± 4 PLC ± ANGLES ±	PRODUCT SPEC - APPLICATION SPEC - WEIGHT -	NAME WRENCH, RETENTION NUT, JACKSCREW AND JACKPOST, QUADRAX RECTANGULAR CONNECTOR
MATERIAL -	FINISH -	CUSTOMER DRAWING	SIZE A3 CAGE CODE 00779 DRAWING NO C-1604972 RESTRICTED TO - SCALE 4:1 SHEET 1 OF 1 REV 0