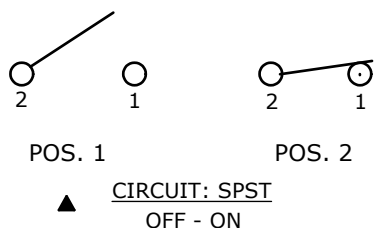
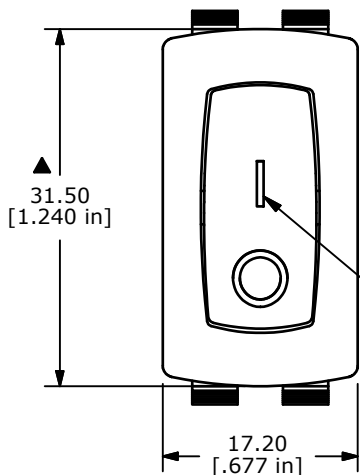


SUGGESTED PANEL CUTOUT



NOTES:

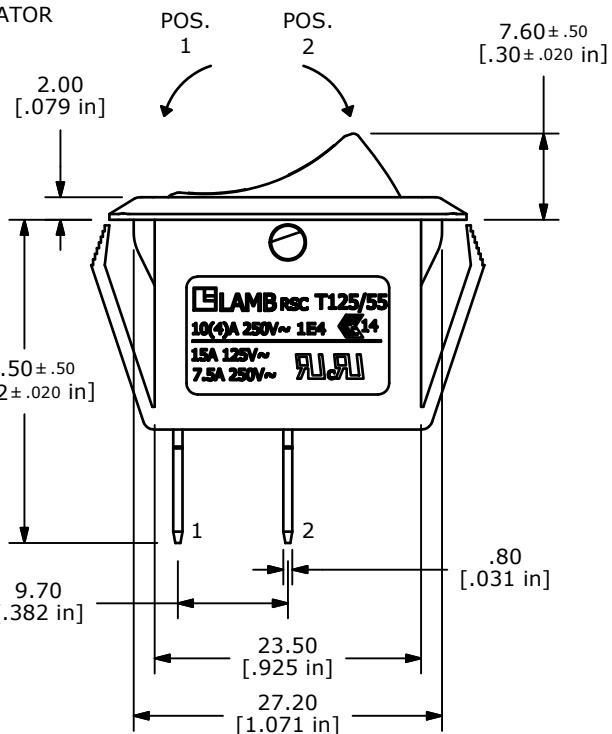
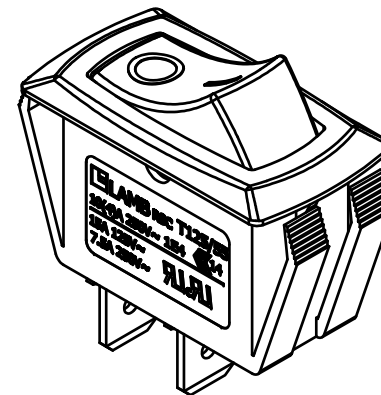
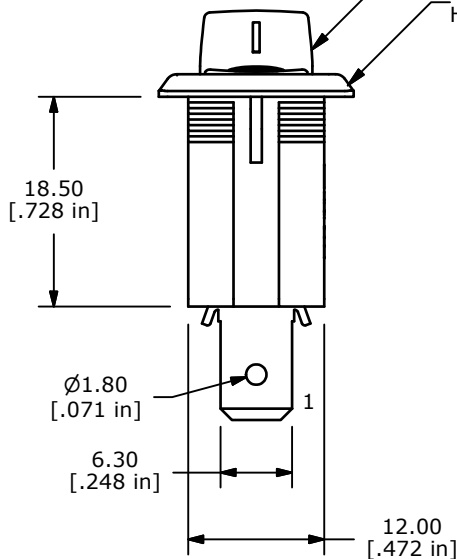
1. ALL DIMENSIONS IN MM [INCH]
2. GENERAL TOLERANCE: X.X=±0.4
X.XX=±0.25
3. TERM. NOS. FOR REF. ONLY
- ▲ 4. RATING: 15A @ 125VAC T105 [cURus]
10(4)A @ 250V~ 1E4 T85/55 [ENEC10, VDE]
15A @ 125VAC [NOM]
5. MATERIAL:
CONTACT SURFACE: SILVER PLATED COPPER
CIRCUIT TERMINAL: BRASS ALLOY w/SILVER PLATE
6. ELECTRICAL LIFE: 10,000 CYCLES MIN.
7. CONTACT RESISTANCE: 20 mΩ MAX.
8. INSULATION RESISTANCE: 1,000 MΩ MIN. @ 500VDC
8. OPERATING TEMP: -20°C TO 85°C @ 1A 5VDC
9. DIELECTRIC STRENGTH: >1,000V AC 1MIN
10. ▲ DENOTES CRITICAL PARAMETER.
11. 2002/95/EC (ROHS) COMPLIANT.



▲ WHITE GRAPHICS
I/O VERTICAL (1)

▲ BLACK ACTUATOR

▲ BLACK HOUSING



TITLE RSC241C1121

A	20288	Release For Production	11/16/11	BGL
REV	PCR NO	DESCRIPTION	DATE	BY

SCALE	DATE	DR	DWG	REV
1.5 : 1	11/16/2011	BGL	38-RSC241C1121	A

THE INFORMATION CONTAINED IN THIS DOCUMENT IS PROPRIETARY TO E-SWITCH AND IS NOT TO BE COPIED OR TRANSFERRED