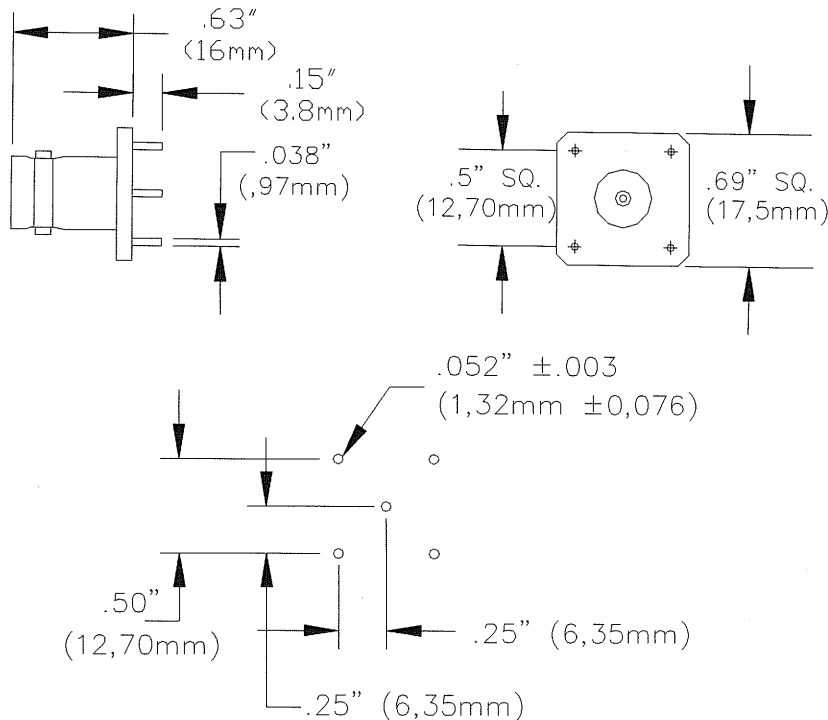


MUELLER®

MODEL: BU-P4578

Female BNC, PCB Mount



RECOMMENDED
PC MOUNTING

MATERIALS:

Body – Brass, Tarnish resistant nickel plating, Mtg. Pins – Nickel Plated Brass
Center Contact – Gold plated Beryllium copper, Center Pin – Gold Plated Brass
Dielectric – PTFE

RATING:

50 Ohms Impedance
30 VAC/60VDC Max shield/earth
500 VRMS Inner conductor/shield
Temperature: -70°C to 170°C