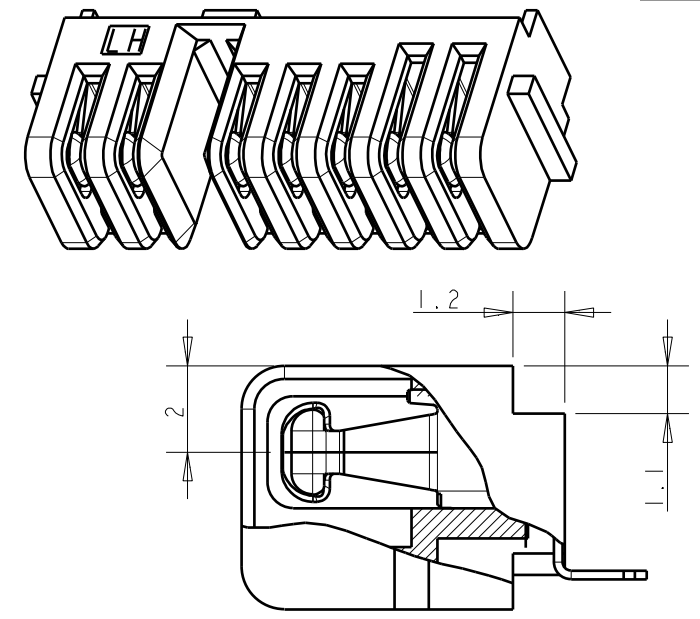
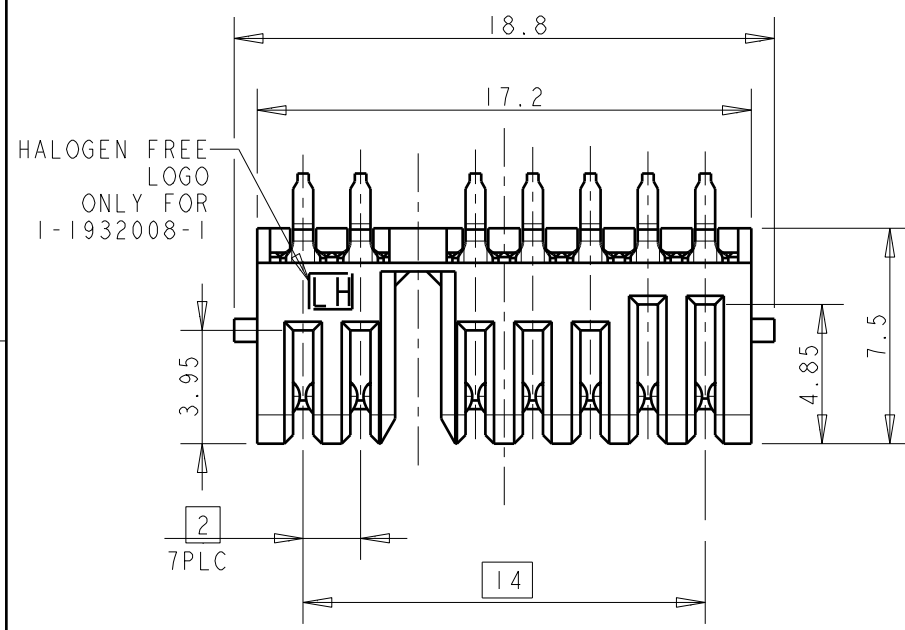


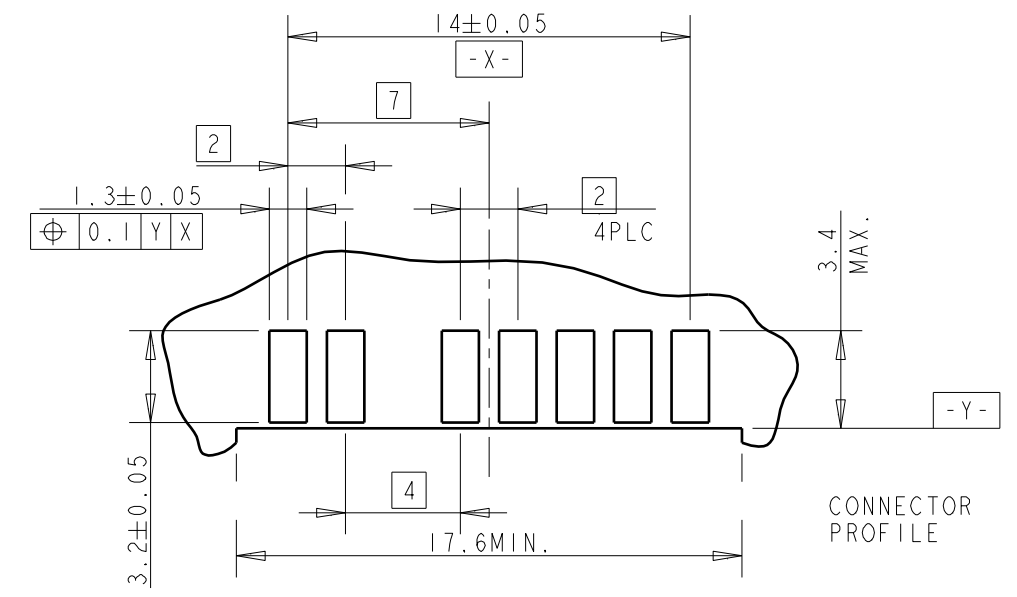
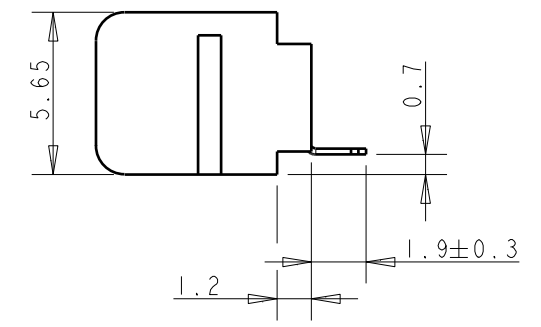
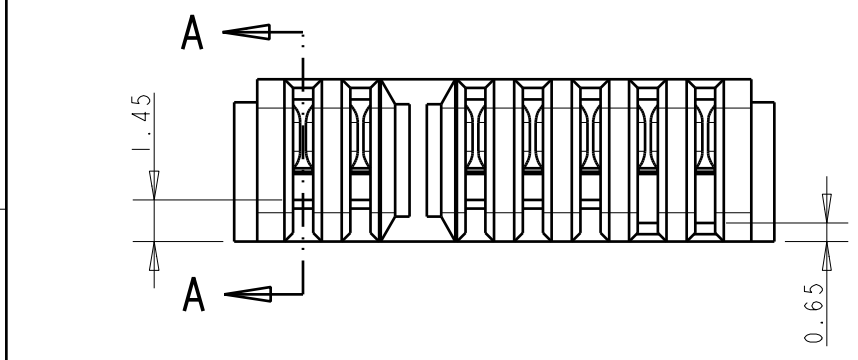
THIS DRAWING IS UNPUBLISHED. RELEASED FOR PUBLICATION  
 © COPYRIGHT 20 BY TYCO ELECTRONICS CORPORATION. ALL RIGHTS RESERVED.

LOC	DIST	REVISIONS			
P	LTR	DESCRIPTION	DATE	DWN	APVD
ES	-				
	A	RELEASED PER ECR-07-015664	03JUL2007	A.S	S.Y
	B	RELEASED PER ECR-07-023182	15OCT2007	A.S	S.Y
	B3	REVISED PER ECR-09-000157	08JAN2009	S.W	S.Y

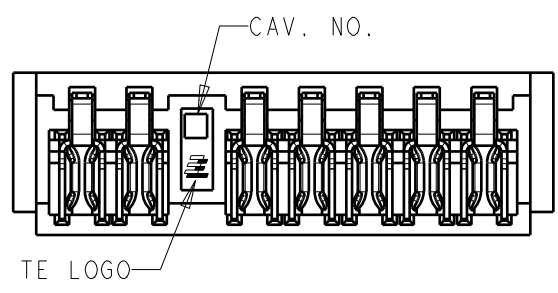
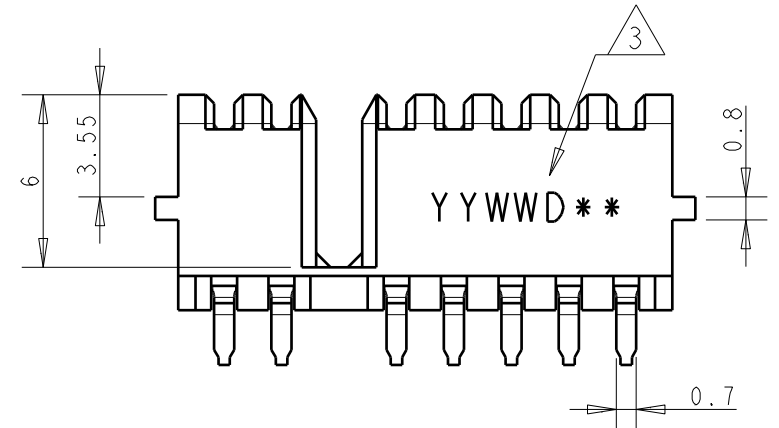


SECTION A-A  
SCALE 6:1

- 1 MATERIAL  
HOUSING: THERMOPLASTIC RESIN, UL94V-0, BLACK  
CONTACT: COPPER ALLOY
- 2 FINISH  
CONTACT: NICKEL ALL OVER UNDERPLATING  
GOLD PLATING AT CONTACT AREA  
TIN PLATING AT SOLDER AREA
- 3 DATE CODE: 7 DIGIT NUMBER.



REFERENCE PCB LAYOUT  
PCB THICKNESS 0.8~1.2  
(VIEW FROM CONNECTOR MOUNTING SIDE)

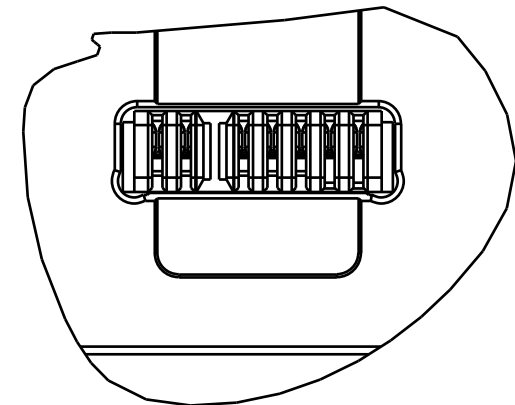
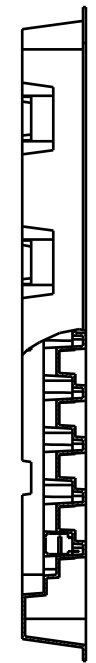
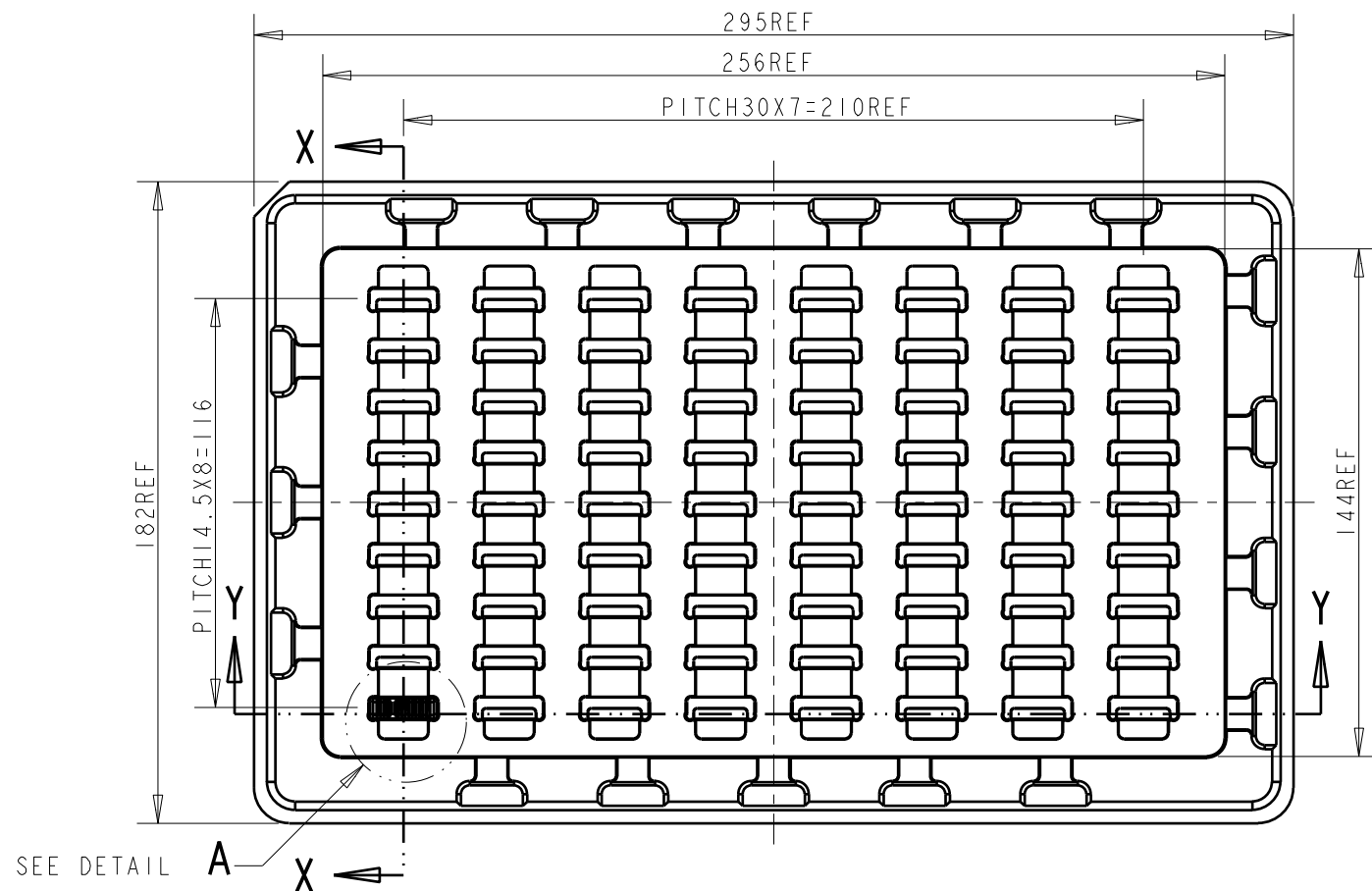


THERMOPLASTIC RESIN (HALOGEN FREE)	I-1932008-1
THERMOPLASTIC RESIN	1932008-1
HOUSING MATERIAL	P/N

<small>THIS DRAWING IS A CONTROLLED DOCUMENT FOR TYCO ELECTRONICS CORPORATION. IT IS SUBJECT TO CHANGE AND THE CONTROLLING ENGINEERING ORGANIZATION SHOULD BE CONTACTED FOR THE LATEST REVISION.</small>		DWN 29APR2007 ALEX SHOAL CHK 29APR2007 WENKE HE APVD 29APR2007 STEVEN YAO PRODUCT SPEC 108-78292 APPLICATION SPEC - WEIGHT 0.87g		<b>Tyco Electronics</b> Tyco Electronics Corporation Shanghai P.R.CHINA 200233	
DIMENSIONS: mm 		TOLERANCES UNLESS OTHERWISE SPECIFIED: 0 PLC ±- 1 PLC ±0.3 2 PLC ±0.3 3 PLC ±0.3 4 PLC ±- ANGLES ±-		NAME <b>RECEPTACLE ASSEMBLY</b> 2.0mm PITCH 7POS. BATTERY CONNECTOR	
MATERIAL 1		FINISH 2		SIZE A3 CAGE CODE 00779 DRAWING NO. C=1932008 RESTRICTED TO -	
CUSTOMER DRAWING				SCALE 4:1 SHEET 1 OF 2 REV B3	

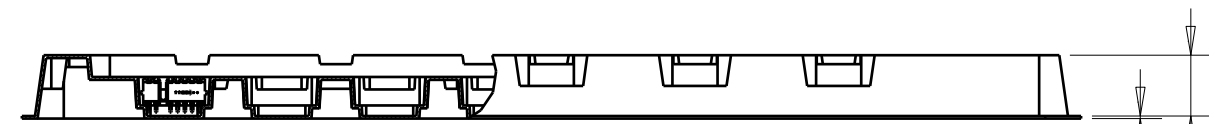
THIS DRAWING IS UNPUBLISHED. RELEASED FOR PUBLICATION  
 © COPYRIGHT 20 BY TYCO ELECTRONICS CORPORATION. ALL RIGHTS RESERVED.

LOC	DIST	REVISIONS			
P	LTR	DESCRIPTION	DATE	DWN	APVD
ES	-	SEE SHEET 1	-	-	-



DETAIL A  
SCALE 2:1

SECTION X-X



SECTION Y-Y

0.8REF  
16.9REF

AS SHOWN: 1932008-1/1-1932008-1  
72PCS/TRAY

<small>THIS DRAWING IS A CONTROLLED DOCUMENT FOR TYCO ELECTRONICS CORPORATION IT IS SUBJECT TO CHANGE AND THE CONTROLLING ENGINEERING ORGANIZATION SHOULD BE CONTACTED FOR THE LATEST REVISION.</small>		DWN 29APR2007 ALEX SHOAL CHK 29APR2007 WENKE HE APVD 29APR2007 STEVEN YAO		Tyco Electronics Corporation Shanghai P.R.CHINA 200233	
DIMENSIONS: mm		TOLERANCES UNLESS OTHERWISE SPECIFIED: 0 PLC ±- 1 PLC ±0.3 2 PLC ±0.3 3 PLC ±0.3 4 PLC ±- ANGLES ±-		NAME RECEPTACLE ASSEMBLY 2.0mm PITCH 7POS. BATTERY CONNECTOR	
MATERIAL -		FINISH -		PRODUCT SPEC 108-78292	
		APPLICATION SPEC -		SIZE A3 CAGE CODE 00779 DRAWING NO. ©=1932008 RESTRICTED TO -	
		WEIGHT 0.87g		SCALE 4:1 SHEET 2 OF 2 REV B3	
CUSTOMER DRAWING					