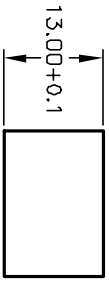
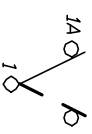


PANEL THICKNESS	X dimension
0.75-1.25 [0.30-.049]	19.2-.01 [7.56]
1.25-2.0 [0.49-.079]	19.4-.01 [7.64]
2.0-3.0 [0.79-1.18]	19.8-.01 [7.80]



PANEL CUTOUT
NOT TO SCALE

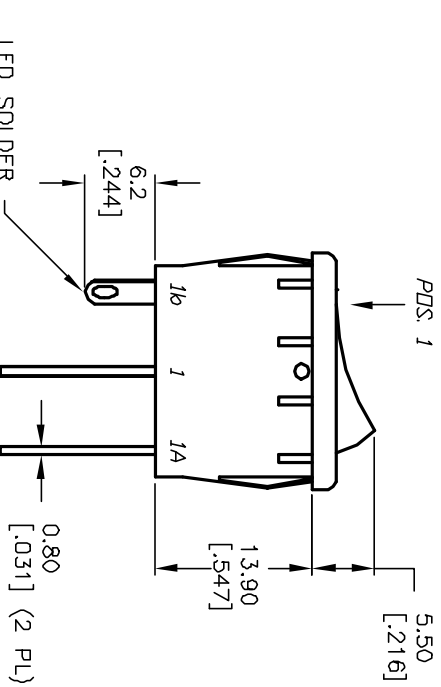
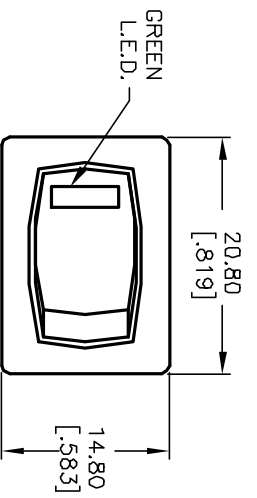
SWITCH FUNCTION	
PDS. 1	PDS. 2
DN	OFF
1-1a	OPEN



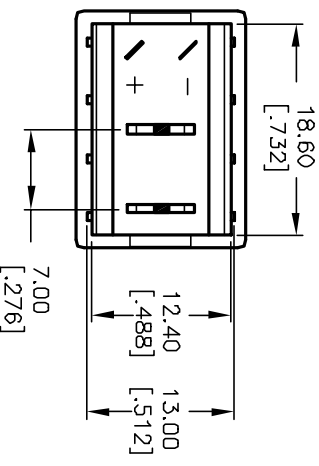
CIRCUIT: SPST

NOTES:

1. ALL DIMENSIONS IN MM [INCH]
2. GENERAL TOLERANCE: X.X=±0.4
X.XX=±0.25
3. TERMINAL NUMBERS FOR REF ONLY
4. RATING: 15A @ 125VAC OR 6A @ 250VAC
5. MATERIALS: (TERMINALS) SILVER PLATED COPPER
(CONTACTS) COIN SILVER, SILVER PLATED.
6. CONTACT RESISTANCE: <20 Mega
7. ELECTRICAL LIFE: 10,000 cycles
8. INSULATION RESISTANCE: >1000 Mega
9. DIELECTRIC STRENGTH: >1500V 1 minute
>3000V between Poles
10. OPERATING TEMP. RANGE: -25°C to +85°C

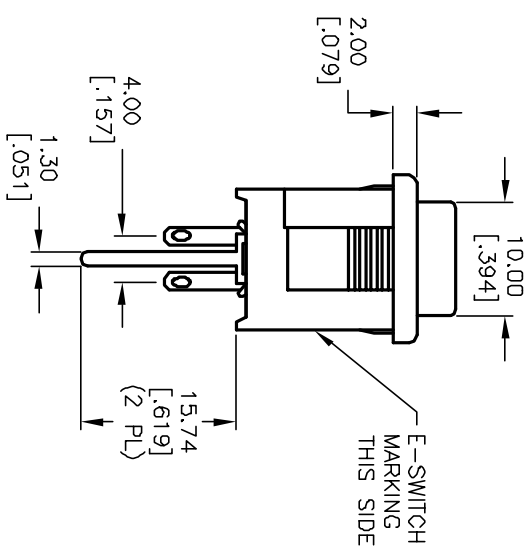


LED SOLDER TERMINALS
0.15thk x 2.00
[.006 x .078]

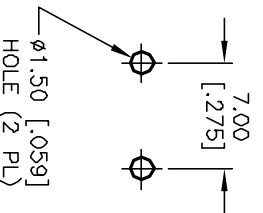


PARAMETERS	SYMBOL	MAX. TYP.	UNITS
POWER DISSIPATION	P _d	80	mW
AVE FORWARD CURRENT	I _{AF}	--	mA
PEAK FORWARD CURRENT	I _{PF}	100	mA
REVERSE VOLTAGE	V _R	5	V
FORWARD VOLTAGE	V _F	2.6	V
REVERSE CURRENT	I _R	100	µA
EMISSION WAVELENGTH	λ _p	585	nm
LUMINOUS INTENSITY	I _v	30	mcad

YELLOW L.E.D



E-SWITCH MARKING THIS SIDE



RECOMMENDED P.C.B. LAYOUT

REV.	ECN No.	DESCRIPTION	DATE	CHKD	AR
A	13209	RELEASED FOR PRODUCTION	6/13/03		

TITLE		SCALE	DATE	DR	DWG	REV
R1966ABLKBLKEPYEL		1.5:1	6/13/03	AR	M300103	A

E-SWITCH®

THE INFORMATION CONTAINED IN THIS DOCUMENT IS PROPRIETARY TO E-SWITCH AND IS NOT TO BE COPIED OR TRANSFERRED