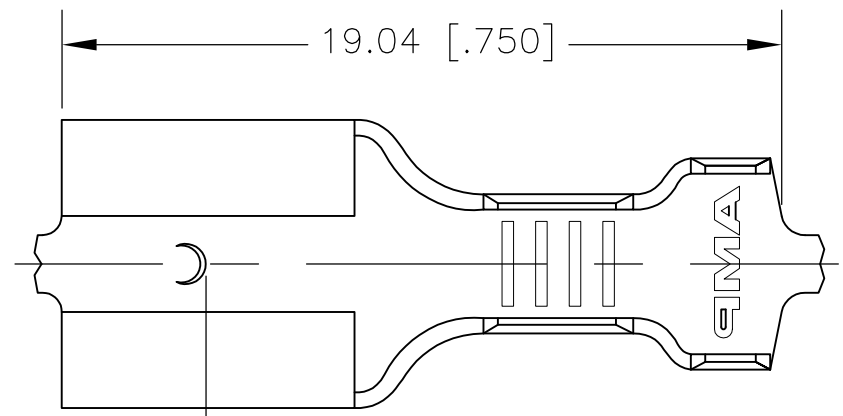
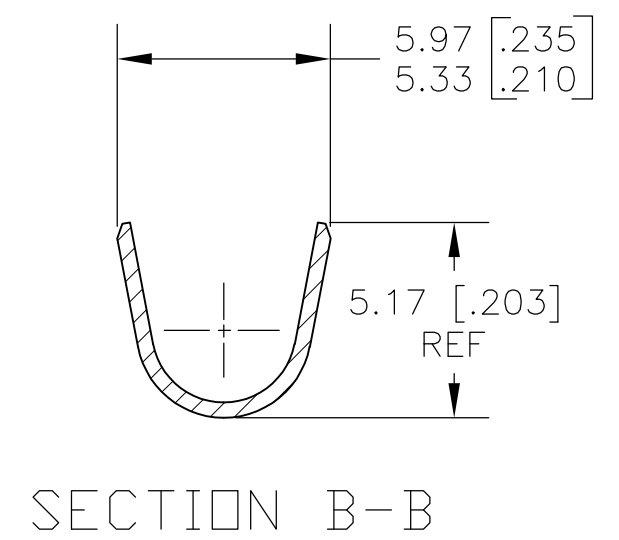
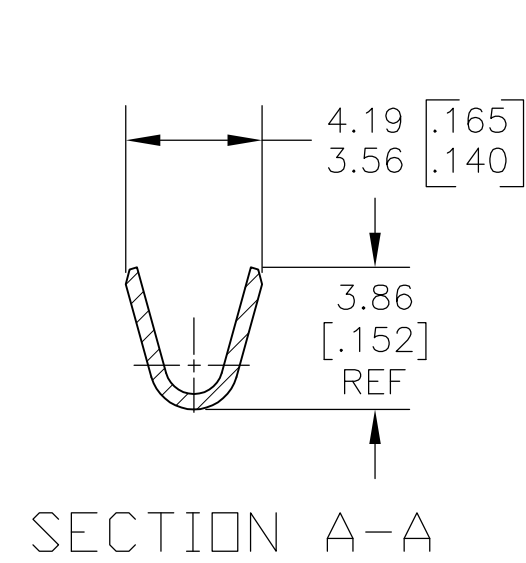
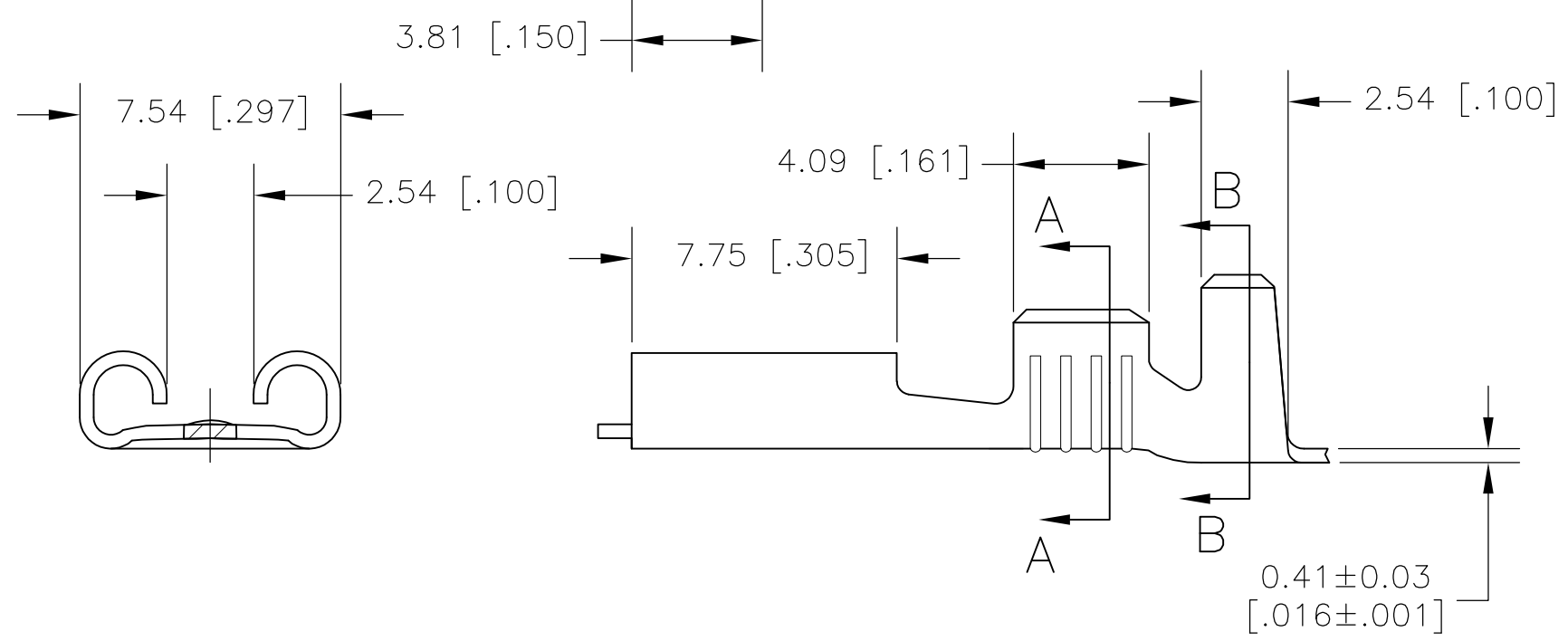


THIS DRAWING IS UNPUBLISHED. RELEASED FOR PUBLICATION
 © COPYRIGHT - By - ALL RIGHTS RESERVED.

LOC	DIST	REVISIONS			
P	LTR	DESCRIPTION	DATE	DWN	APVD
AF	50	H	REVISED PER ECR-11-018063	22DEC11	KH PD



- CONTINUOUS STRIP ON REELS AT A FEED OF 21.33±0.13 [0.840±0.005].
- MATING TAB THK IS 0.81±0.03 [0.032±0.001]
- WIRE SIZE IS #18-#14 AWG
- INSULATION RANGE IS 3.05-4.32 [0.120-0.170] DIA



TIN	60650-2
-	60650-1
FINISH	PART NO

THIS DRAWING IS A CONTROLLED DOCUMENT.		DWN	jr_ruth	30JAN08	TE Connectivity RECEPTACLE, FASTON, .250 SERIES						
DIMENSIONS: INCHES		CHK	P_DESANTIS	30JAN08				NAME			
TOLERANCES UNLESS OTHERWISE SPECIFIED:		APVD	P_DESANTIS	30JAN08				PRODUCT SPEC			
0 PLC ± - 1 PLC ± - 2 PLC ± 0.38 [0.015] 3 PLC ± - 4 PLC ± - ANGLES ± 5°		APPLICATION SPEC						RESTRICTED TO			
MATERIAL: BRASS		FINISH: SEE TABLE		WEIGHT	-	SIZE	A3	CAGE CODE	00779	DRAWING NO	C-60650
CUSTOMER DRAWING						SCALE	5:1	SHEET	1 OF 1	REV	H