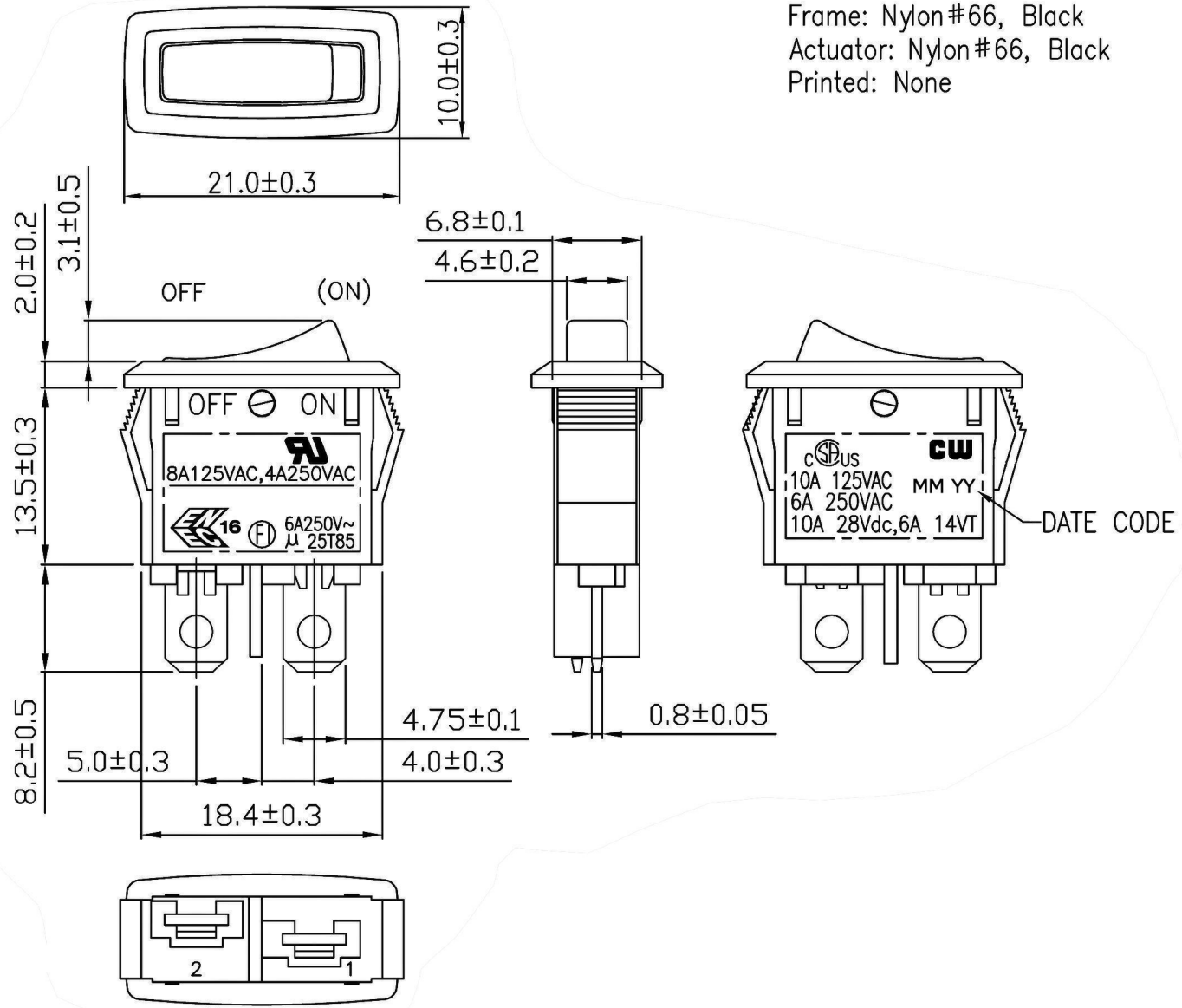


THIS INFORMATION IS CONFIDENTIAL AND PROPRIETARY TO CW INDUSTRIES INCORPORATED AND ITS AFFILIATES. IT MAY NOT BE DISCLOSED TO ANYONE, OTHER THAN CW INDUSTRIES PERSONNEL, WITHOUT WRITTEN AUTHORIZATION FROM CW INDUSTRIES INCORPORATED, SOUTHAMPTON, PENNSYLVANIA USA.

Rating	8A 125V AC, 4A 250V AC	UL	Mounting Hole	Circuit Diagram												
	10A 125V AC, 6A 250V AC				c SP US											
	10A 28V DC, 6A 14 VT															
	6A 250V ~	EN 16 FI														
Contact Resistance	50m ohm max.		<table border="1"> <thead> <tr> <th>Thickness</th> <th>X</th> <th>Y</th> </tr> </thead> <tbody> <tr> <td>0.75 - 1.25</td> <td>19.2 - 0.1</td> <td>7.0 + 0.1</td> </tr> <tr> <td>1.25 - 2.00</td> <td>19.4 - 0.1</td> <td>7.0 + 0.1</td> </tr> <tr> <td>2.00 - 3.00</td> <td>19.8 - 0.1</td> <td>7.0 + 0.1</td> </tr> </tbody> </table>	Thickness	X	Y	0.75 - 1.25	19.2 - 0.1	7.0 + 0.1	1.25 - 2.00	19.4 - 0.1	7.0 + 0.1	2.00 - 3.00	19.8 - 0.1	7.0 + 0.1	<p><b>SPST (ON) - OFF</b> ( ) = Momentary</p>
Thickness	X	Y														
0.75 - 1.25	19.2 - 0.1	7.0 + 0.1														
1.25 - 2.00	19.4 - 0.1	7.0 + 0.1														
2.00 - 3.00	19.8 - 0.1	7.0 + 0.1														
Insulation Resistance	DC 500V 100M ohm min.															
Dielectric Strength	AC 1500V 1 minute															
Operating Temperature	-25°C ~ 85°C															
Switch Function	2P SPST (ON)-OFF															

Material:  
 Frame: Nylon#66, Black  
 Actuator: Nylon#66, Black  
 Printed: None



RoHS Compliant	1 Updated drawing. Rotated button to opposite direction. 7/22/10			
<b>CW INDUSTRIES</b> Southampton, Pa. 18966 Tel 215.355.7080/www.cwind.com	Date Drawn: 12/21/09	Rev. 1	Unit: mm	Checked By: G.GULD
	Title: <b>ROCKER SWITCH</b>		CW P/N: <b>GRB243F02BB</b>	