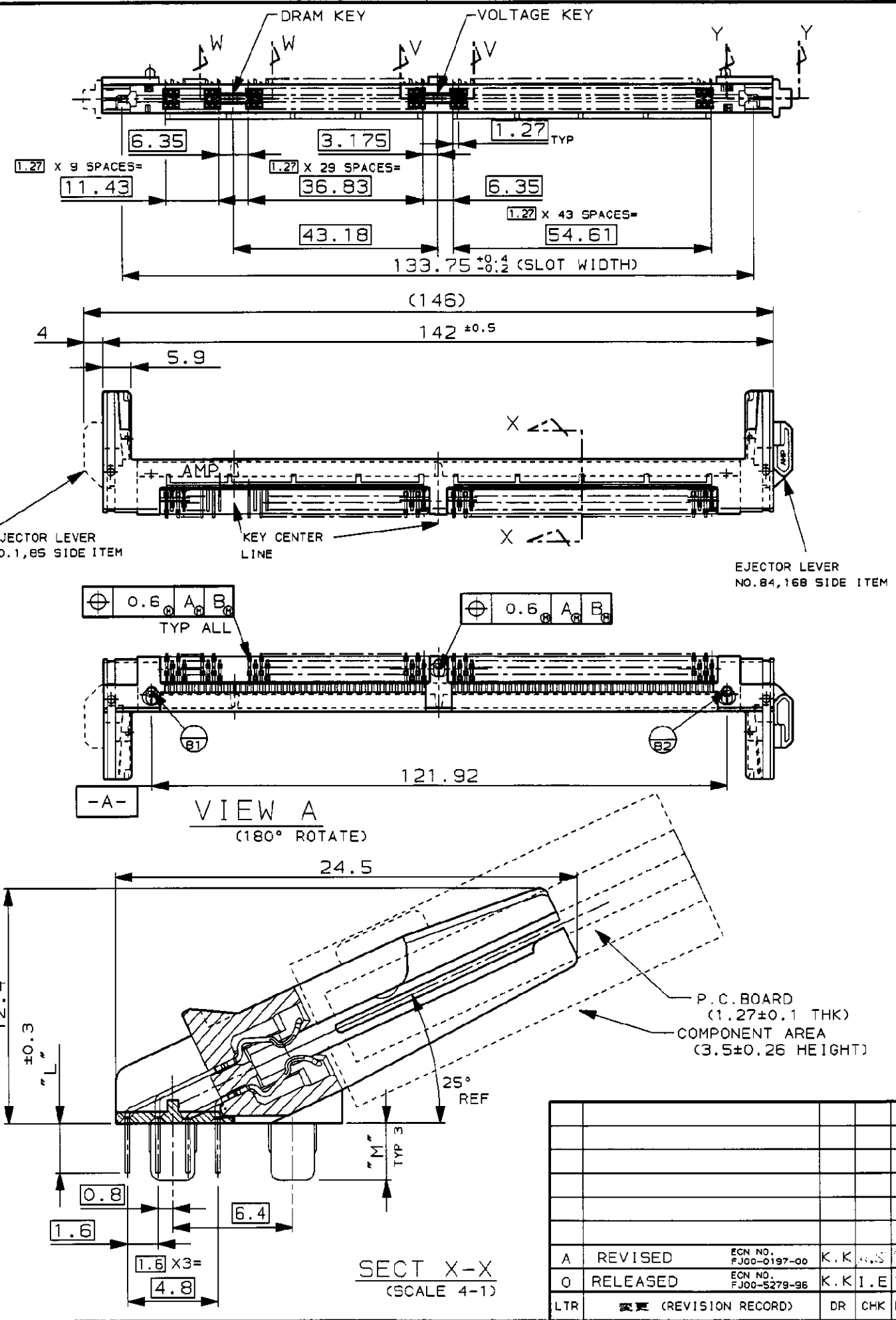
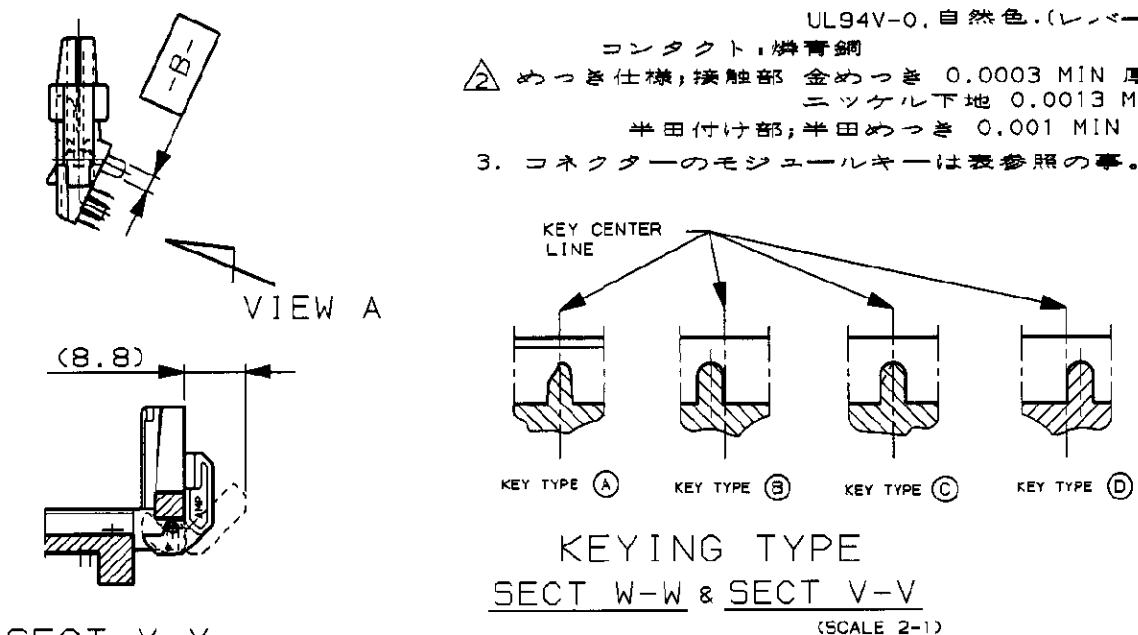


NUMBER C-353476
 METRIC
 PROJECT NO. 696-105
 PRINT DIST
 AMP-J010-2C
 REV. 3/93



NOTES,
 1 MATERIAL, HOUSING & EJECTOR LEVER:
 L.C.P (HIGH TEMP THERMO PLASTIC)
 UL 94V-0, NATURAL. (LEVER: BLACK)
 CONTACT: PHOS-BRZ
 2 FINISH; CONTACT AREA: 0.0003 MIN GOLD ON
 0.0013 MIN ALL OVER NICKEL.
 SOLDERING AREA: 0.001 MIN TIN-LEAD.
 3. MODULE KEY POSITION OF CONNECTOR SEE TABLE.

注記,
 1 材料;ハウジング & エジエクターレバー:
 L.C.P (耐熱熱可塑性樹脂)
 UL94V-0, 自然色. (レバー: 黒色)
 コンタクト, 燐青銅
 2 めっき仕様; 接触部 金めっき 0.0003 MIN 厚
 ニッケル下地 0.0013 MIN 厚
 半田付け部; 半田めっき 0.001 MIN 厚
 3. コネクターのモジュールキーは表参照の事。



3	3	RESERVED 5.0V	CIRCUIT NO. 84,168 SIDE	(D)	(B)	168	2-353476-1
		RESERVED 3.3V		(D)	(C)		1- -2
		RESERVED 5.0V	CIRCUIT NO. 84,168 SIDE	(D)	(B)	168	1-353476-1
		RESERVED 3.3V		(D)	(C)		-2
2.6	3	RESERVED 5.0V	CIRCUIT NO. 1,85 SIDE	(D)	(B)	168	353476-1
±0.3 "L"	"M"	REMARKS (POWER SUPPLY)	EJECTOR LEVER MOUNT SIDE	KEYING TYPE		POS	PART NO.

Copyright ©1996年 Tyco Electronics AMP K.K.		Copyright ©1996 Tyco Electronics AMP K.K. ALL RIGHTS RESERVED.		AMP		Tyco Electronics AMP K.K. Kawasaki, Japan	
組合電線断面積 (WIRE RANGE) mm ² (AWG -)		被覆外径 (INSULATION DIA.) mmφ		名称 (NAME) LOW PROFILE M64 CARD EDGE CONNECTOR, SLANT (25°) TYPE. (FOR 8 BYTE DIMM RESERVED TYPE)			
材料 (MATERIAL) SEE NOTE		仕上 (FINISH) SEE NOTE		一般公差 (GENERAL TOLERANCE) 10以下: ±0.2 10~30以下: ±0.25 30~100以下: ±0.3 角 度: ±3'		LOC B J	番号 (No.) C-353476
A REVISED ECN NO. FJ00-0197-00 K.K.	O RELEASED ECN NO. FJ00-5279-96 K.K.I.E.	DR. K.KOBAYASHI 27-AUG-'96	DE. K.KOBAYASHI 27-AUG-'96	尺度 (SCALE) 1-1		REV. A	SHEET 1 OF 3
LTR 変更 (REVISION RECORD)	DR	CHK	DATE	CHK. I.ENOMOTO 27-AUG-'96	APP. Y.YOSHIMURA 27-AUG-'96		

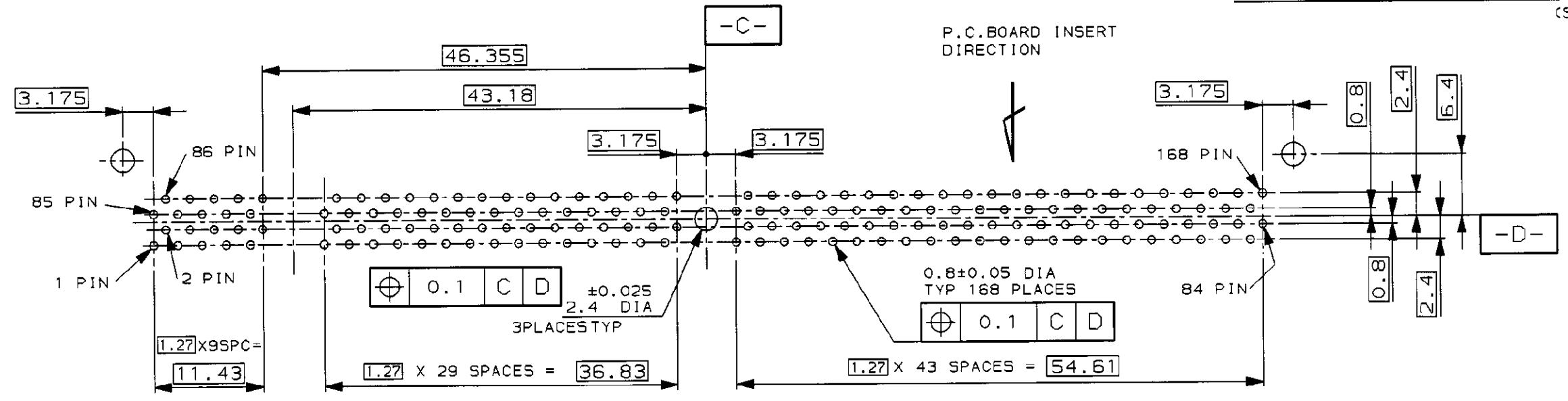
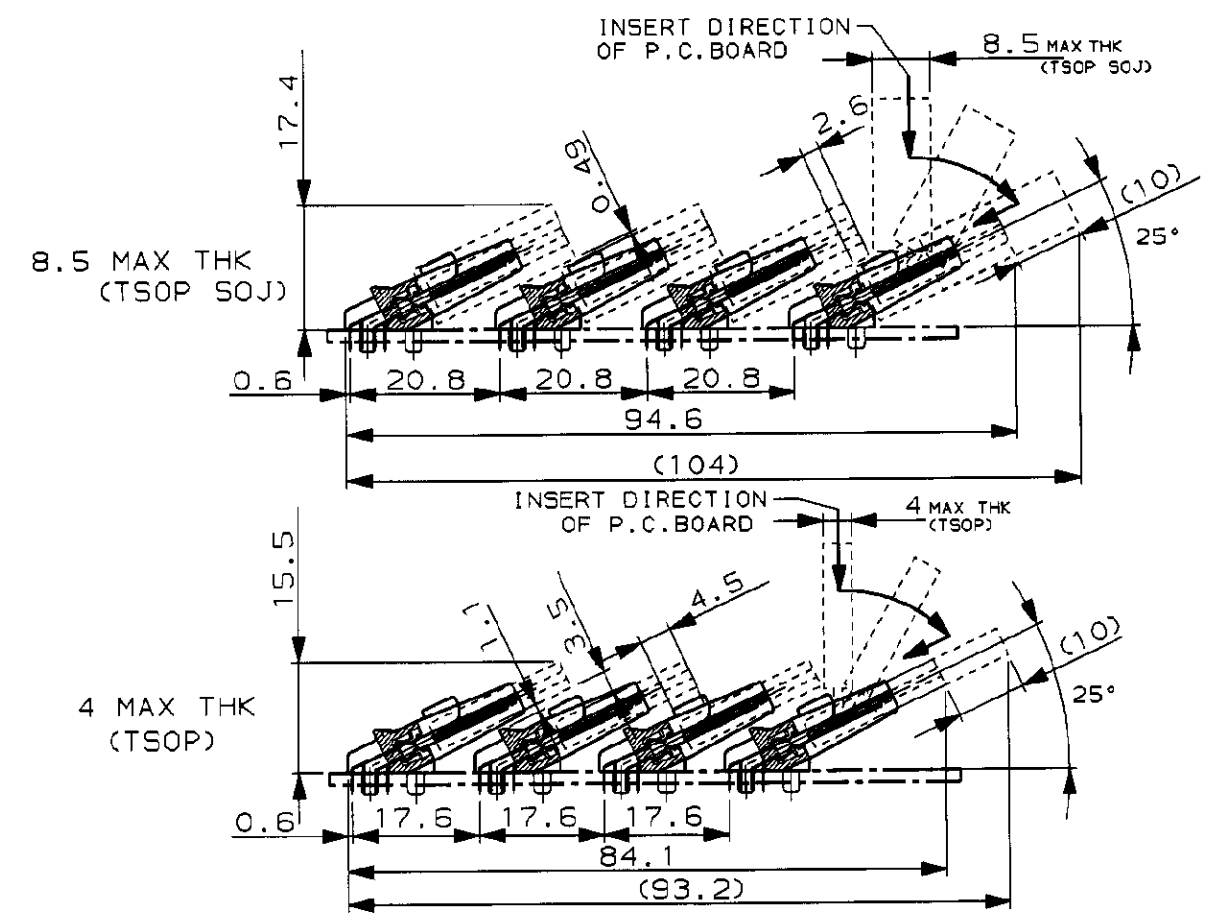
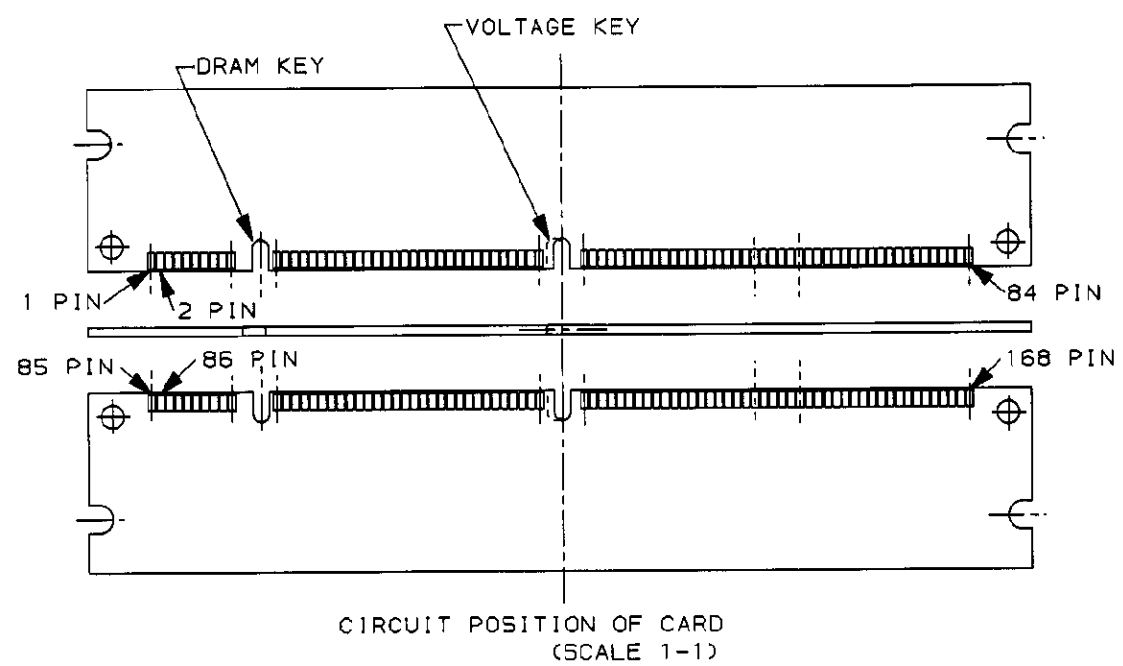
(CUSTOMER DRAWING) 参 考 図 面

NUMBER
C-353476

三等角投影 (3rd ANGLE PROJECTION)

METRIC

PRINT DIST
DIMENSIONS IN MM. DO NOT SCALE PRINT
PROJ. NO. 696-105

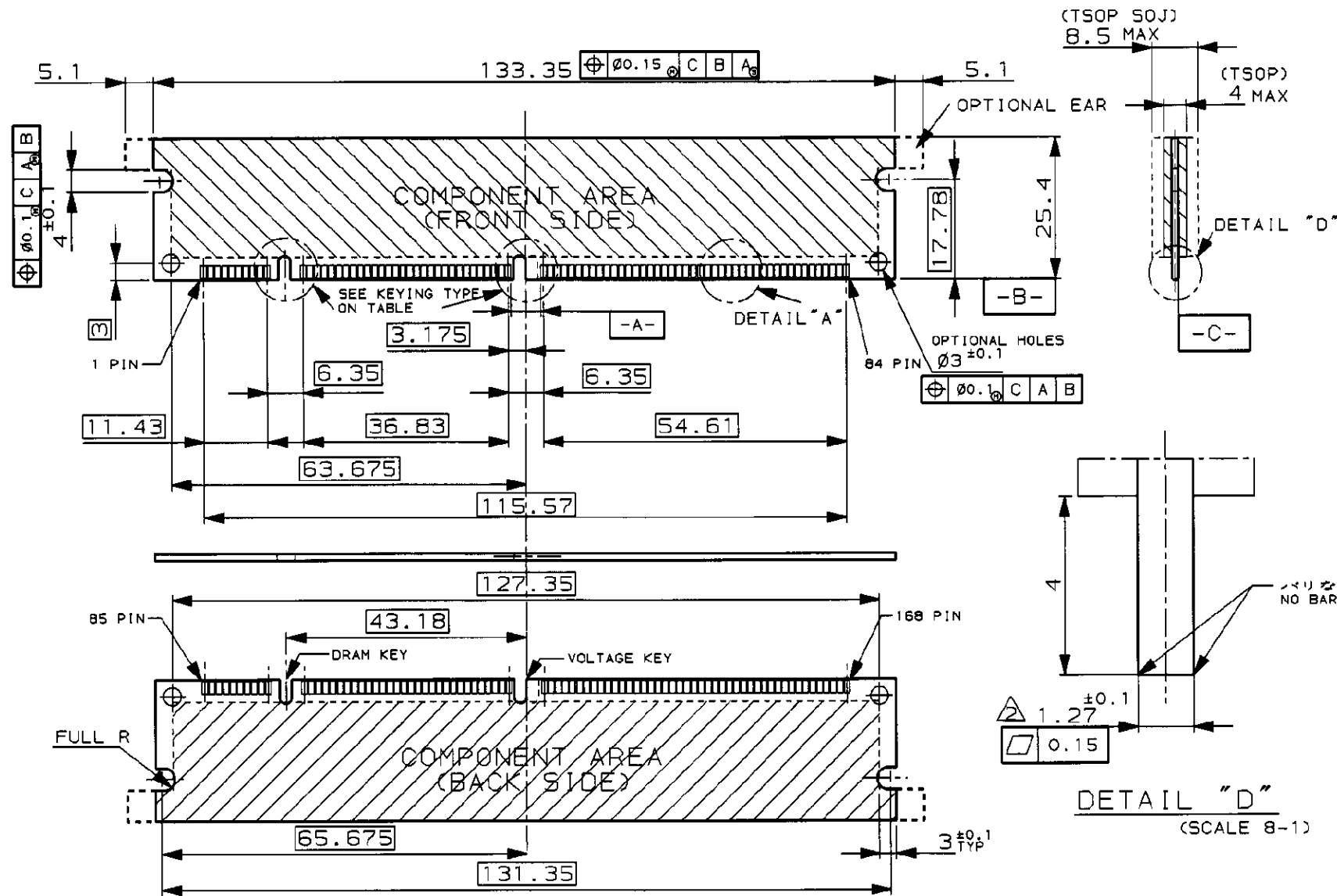


推奨取付け穴仕様 (コネクタ一取付け側)
RECOMMENDED P.C. BOARD HOLE LAYOUT (CONNECTOR MOUNTING SIDE)
推奨基板厚
P.C. BOARD THK 1.6 ±0.1

SEE SHEET 1 OF 3

LTR	変更 (REVISION RECORD)	DR	CHK	DATE	CHK.
-----	----------------------	----	-----	------	------

Copyright ©1996年 Tyco Electronics AMP K.K.		Copyright ©1996 Tyco Electronics AMP K.K. ALL RIGHTS RESERVED.		AMP Tyco Electronics AMP K.K. Kawasaki, Japan	
包合電線断面積 (WIRE RANGE) mm ² (AWG -)		被覆外径 (INSULATION DIA.) mmφ		名称 (NAME) LOW PROFILE M64 CARD EDGE CONNECTOR, SLANT (25°) TYPE. (FOR 8 BYTE DIMM RESERVED TYPE)	
材料 (MATERIAL)		仕上 (FINISH)		一般公差 (GENERAL TOLERANCE) 10以下 ±0.2 10を超え30以下 ±0.25 30を超え100以下 ±0.3 角度 ±3°	
DR.		DE.		LOC B J	番号 (No.) C-353476
CHK.		REV. A		尺度 (SCALE) 2-1	SHEET 2 OF 3



NOTES;

1. TOLERANCES ON ALL DIMENSIONS ±0.13 UNLESS OTHERWISE SPECIFIED.
2. P.C.BOARD THICKNESS APPLIES ACROSS TABS AND INCLUDES PLATING AND/OR MATALIZATION.
3. FINISH OF PAD : GOLD PLATING 0.00076 MIN OVER NI PLATING 0.002 MIN.

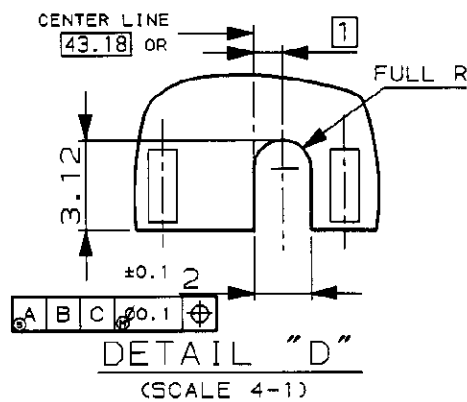
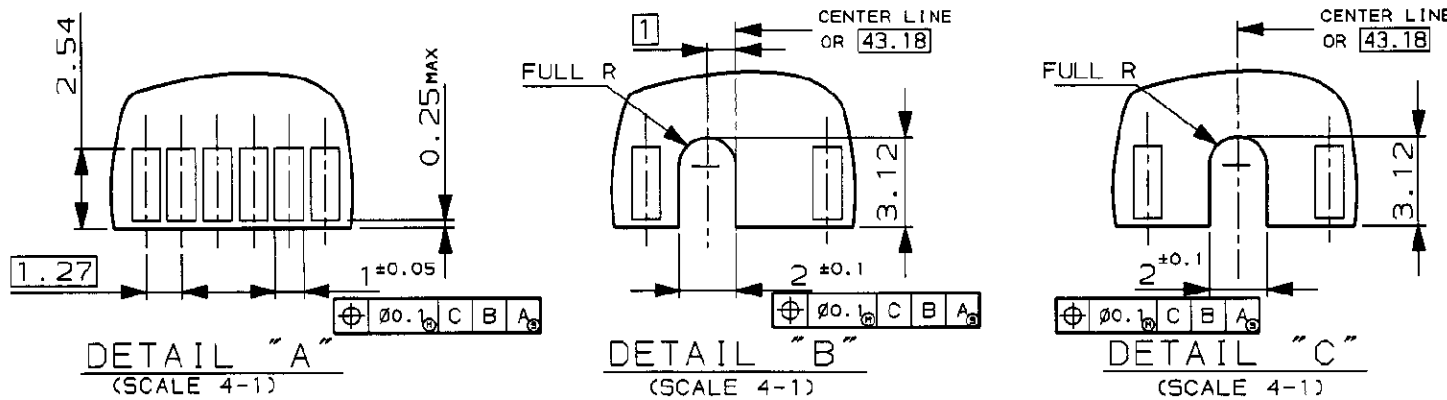
注記;

1. 一般公差 ±0.13
2. 基板厚寸法は、めっき厚を含む。
3. パッド部の仕上げ: ニッケル下地めっき 0.002 MIN 厚の上に、金めっき 0.00076 MIN 厚を施す。

DETAIL "D" (SCALE 8-1)

推奨基板仕様

RECOMMENDED MATING BOARD CONFIGURATION.



RESERVED 3.3V				DETAIL "C"		1-	-2
RESERVED 5.0V	NO.84, 168 SIDE			DETAIL "B"		1-	353476-1
RESERVED 3.3V				DETAIL "C"			-2
RESERVED 5.0V	NO.1, 85 SIDE	DETAIL "D"	DETAIL "B"	168			353476-1
REMARKS (POWER SUPPLY)	EJECTOR LEVER MOUNT SIDE	DRAM KEY	VOLTAGE KEY	KEYING TYPE	POS	CONNECTOR PART NO.	

Copyright ©1995年 Tyco Electronics AMP K.K.		Copyright ©1996 Tyco Electronics AMP K.K. ALL RIGHTS RESERVED.		AMP		Tyco Electronics AMP K.K. Kawasaki, Japan	
包含電線断面積 (WIRE RANGE)		被覆外径 (INSULATION DIA.)		名称 (NAME)			
mm ² (AWG -)		mmφ		LOW PROFILE M64 CARD EDGE CONNECTOR, SLANT (25°) TYPE. (FOR 8 BYTE DIMM RESERVED TYPE)			
材料 (MATERIAL)		仕上 (FINISH)		一般公差 (GENERAL TOLERANCE)		LOC	番号 (No.)
		SEE NOTE		10mm以下: ±0.2 10mm以上 30mm以下: ±0.25 30mm以上 100mm以下: ±0.3 角度: ±3°		B J	C-353476
DR.		DE.		尺度 (SCALE)	REV.	SHEET	
CHK.		CHK.		1-1	A	3 OF 3	
LTR		変更 (REVISION RECORD)		DR		CHK DATE	

SEE SHEET 1 OF 3