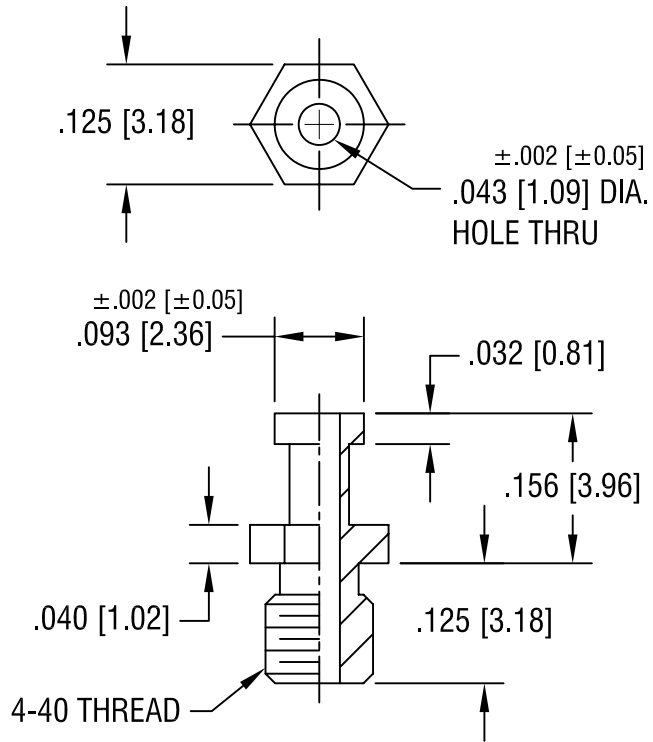


THIS DOCUMENT IS THE PROPERTY OF
KEYSTONE ELECTRONICS CORP. AND
SHALL NOT BE REPRODUCED, DISTRIBUTED
OR USED AS A BASIS FOR MANUFACTURE
WITHOUT PRIOR WRITTEN PERMISSION
FROM KEYSTONE ELECTRONICS CORP.



KEYSTONE ELECTRONICS CORP.

ASTORIA, N.Y. 11105-2017

PART NAME

TURRET TERMINAL, THREADED BASE

MATERIAL

BRASS

FINISH

TIN PLATE

DRN BY

BOONE

DATE

6.17.82

APPD

LN

SCALE

5X

TOLERANCES

INCH [MM]

DECIMAL ± .005 [± 0.15]

ANGULAR ± 1°

UNLESS OTHERWISE SPECIFIED

CODE

C

DWG NO.

1563

12.5.01 CHANGE AS PER ECN 01-102

A

DATE

DESCRIPTION

REV.