

Type BMB-P Series

Key Features

Effective EMI Protection

Low DC Resistance

High Current Handling

Various Package Sizes Available

Inorganic Material Construction

Suited to Noise Filtering applications

Terminal finish matte Sn over Cu/Ni underplate



The P Series of multilayer beads is suitable for use in high current circuits due to its low dc resistance. It can match power lines to a maximum of 6 amps. The P series is available in 0402, 0603, 0805 and 1206 package sizes

Electrical Performance

Part Number	Impedance (Ω) at 100MHz	DC Resistance (Ω) maximum	Rated Current (mA) maximum
BMB-1E-0010P-N8	10 \pm 25%	0.05	1000
BMB-1E-0120P-N8	120 \pm 25%	0.095	1500
BMB-1E-0220P-N8	220 \pm 25%	0.28	700
BMB-1J-0010P-N8	10 \pm 25%	0.01	5000
BMB-1J-0025P-N8	25 \pm 25%	0.03	3000
BMB-1J-0030P-N8	30 \pm 25%		
BMB-1J-0060P-N8	60 \pm 25%	0.04	2500
BMB-1J-0120P-N8	120 \pm 25%	0.05	
BMB-1J-0150P-N8	150 \pm 25%	0.10	2000
BMB-1J-0220P-N8	220 \pm 25%		
BMB-1J-0300P-N8	300 \pm 25%		
BMB-1J-0470P-N8	470 \pm 25%	0.15	1500
BMB-1J-0600P-N8	600 \pm 25%	0.20	
BMB-2A-0010P-N8	10 \pm 25%	0.01	6000
BMB-2A-0020P-N8	20 \pm 25%	0.03	4000
BMB-2A-0030P-N8	30 \pm 25%	0.015	3000
BMB-2A-0060P-N8	60 \pm 25%	0.025	
BMB-2A-0080P-N8	80 \pm 25%	0.04	5000
BMB-2A-0120P-N8	120 \pm 25%		3000
BMB-2A-0150P-N8	150 \pm 25%		
BMB-2A-0220P-N8	220 \pm 25%		
BMB-2A-0300P-N8	300 \pm 25%	0.07	2000
BMB-2A-0470P-N8	470 \pm 25%	0.1	
BMB-2A-0600P-N8	600 \pm 25%		

Electrical Performance (continued)

Part Number	Impedance (Ω) at 100MHz * 50MHz * 30MHz	DC Resistance (Ω) maximum	Rated Current (mA) maximum
BMB-2B-0030P-N8	30 \pm 25	0.03	4000
BMB-2B-0050P-N8	50 \pm 25		
BMB-2B-0080P-N8	80 \pm 25		
BMB-2B-0120P-N8	120 \pm 25	0.04	3000
BMB-2B-0300P-N8	300 \pm 25	0.06	2500
BMB-2B-0500P-N8	500 \pm 25	0.07	2000

Operating temperature range - -55 ~ +125°C

Temperature should be less than 40°C when rated current is applied.

Storage:

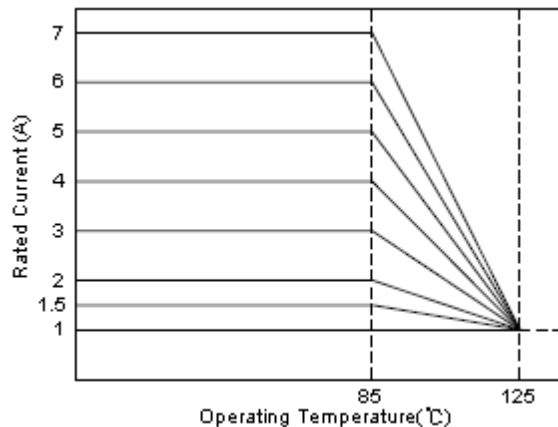
Temperature Range: -40 ~ +85°C

Humidity: Less than 75% RH

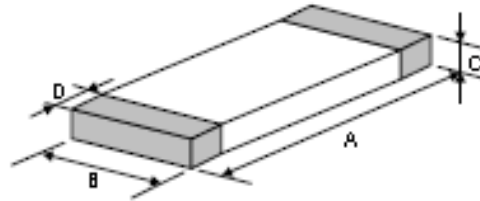
Current Derating

In operating temperatures exceeding +85°C derating of current is necessary for chip ferrite beads for which rated current is 1.5A or over.

Please apply the derating curve shown below according to the operating temperature

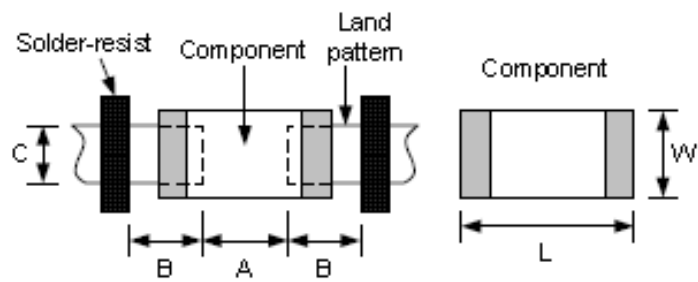


Product Dimensions



Size	A (mm)	B (mm)	C (mm)	D (mm)
0402	1.0 ±0.10	0.5 ±0.10	0.5 ±0.10	0.25 ±0.10
0603	1.6 ±0.15	0.8 ±0.15	0.8 ±0.15	0.3 ±0.20
0805	2.0 ±0.20	1.2 ±0.20	0.9 ±0.20	0.5 ±0.30
1206	3.2 ±0.20	1.6 ±0.20	1.1 ±0.20	0.5 ±0.30

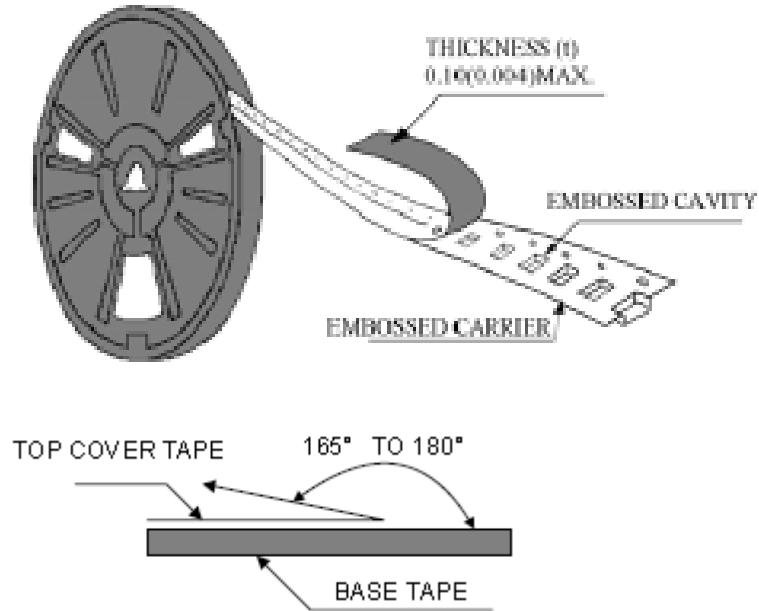
Recommended PCB Layout



Size	0402	0603	0805	1206	
Component	L	1.0	1.6	2.0	3.2
	W	0.5	0.8	1.2	1.6
A	0.45 ~ 0.55	0.6 ~ 0.8	0.8 ~ 1.2	1.8 ~ 2.2	
B	0.40 ~ 0.50	0.6 ~ 0.8	0.8 ~ 1.2	1.1 ~ 1.6	
C	0.40 ~ 0.50	0.6 ~ 0.8	0.9 ~ 1.6	0.9 ~ 1.6	

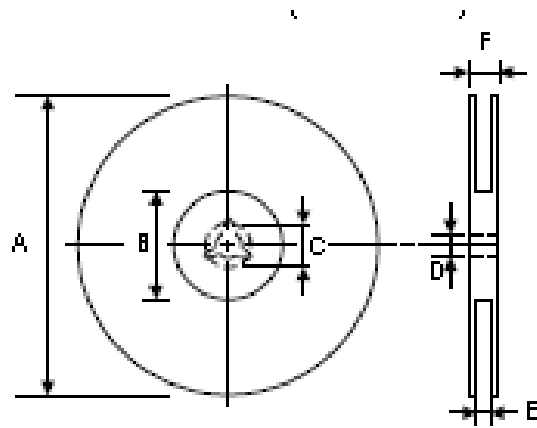
Packaging

Peel off force:

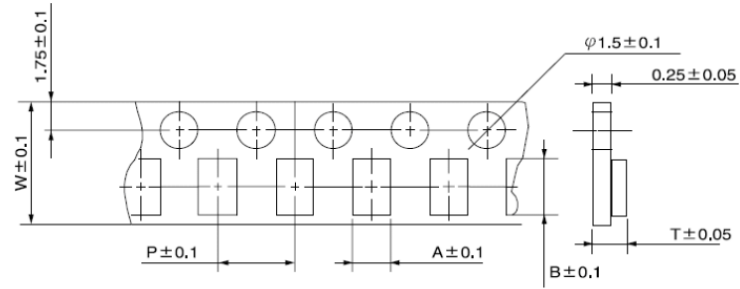


The force for peeling off cover tape is 10 grams in the direction shown

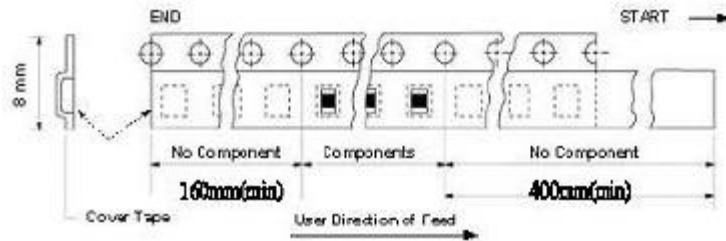
Dimensions (mm)



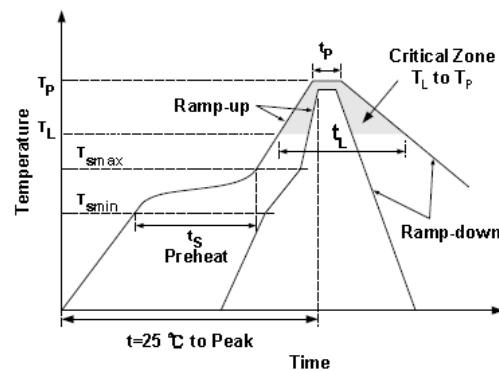
A	B	C	D	E	F
178 ±1	60 +0.5 -0.1	--	13 ±0.2	9 ±0.5	12 ±0.5



Size	A	B	W	P	T	Chips / Reel
0402	0.6	1.1	8	2	1.0	10000
0603	1.1	1.9	8	4	1.1	4000
0805	1.5	2.3	8	4	1.3	4000
1206	1.9	3.5	8	4	1.5	3000



Recommended Reflow Solder Profile



Profile Feature		Pb Free
Preheat	ts	60 ~ 180 seconds
	Tsmin	150°C
	Tsmax	200°C
Average Ramp up rate (Tsmax to Tp)		3°C/second max.
Time main above	Temperature (TL)	217°C
	Time (tL)	60 ~ 150 seconds
Peak Temperature (Tp)		250 ~ 260°C
Time within 5°C of actual peak temperature ((tp)		10 seconds
Ramp down rate		6°C/second max.
Time 25°C to peak temperature		8 minutes max.

Typical Characteristic Curves (T=25°C)

