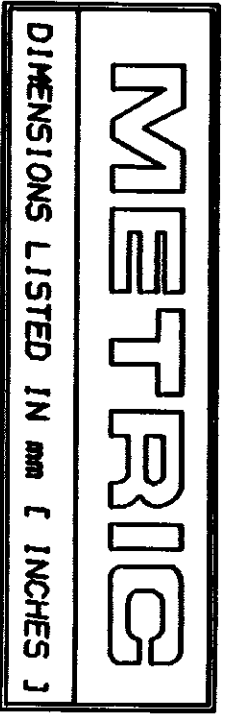
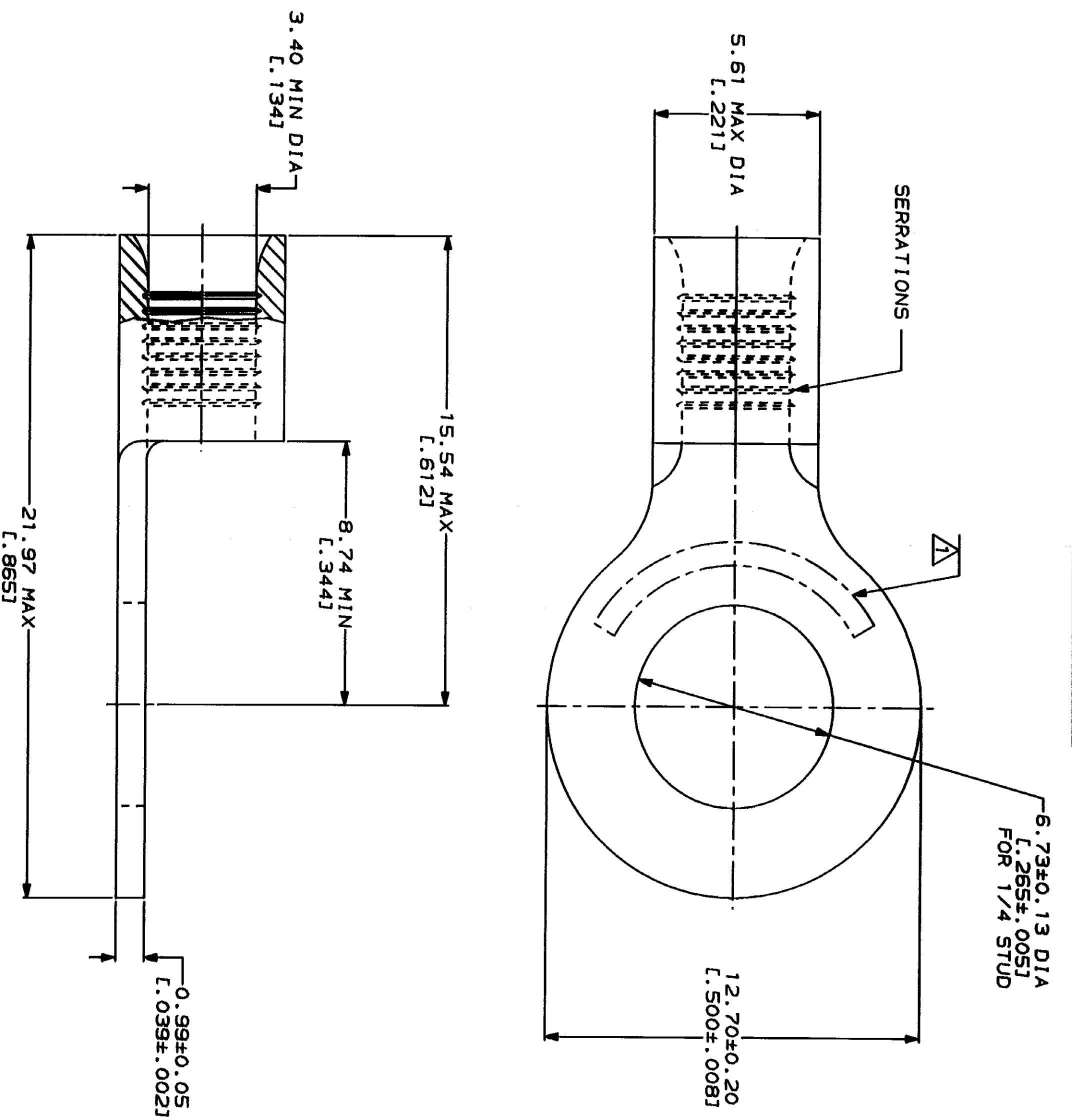


LOC	DIST	ZONE	LTN	REVISIONS	DATE	APPD
G	14	A	REVISED PER 0720-0230-93	08201/PT/10H	2/28/94	Paul



WIRE RANGE	E13288 Listed
12-10 AWG STRANDED	12-10 AWG STRANDED
LR7189 Certified NOT CERTIFIED	MILITARY P/N AND CLASS NOT APPLICABLE

△ STAMP AMP 12-10* APPROX AS SHOWN



AMP INCORPORATED
CUSTOMER SERVICE SYSTEMS

FOR ADDITIONAL
PRODUCT INFORMATION OR
COPIES OF DRAWINGS
AND TECHNICAL DOCUMENTS

FOR APPLICATION
TOOLING INFORMATION
FOR ORDER ENTRY

MAX RECOMMENDED OPERATING
TEMPERATURE: 170°C MAX

VOLTAGE RATING:
NOT APPLICABLE

WIRE CROSS SECTIONAL AREA RANGE:
2.62-6.64mm² [5,180-13,100] CIR MILS
STRANDED

DO NOT SCALE PRINT.
UNLESS SPECIFIED
DIMENSIONS IN MILLIMETERS
TOLERANCES ON:
2 PLG DEC ± .1
3 ANGLES ± .1

FINISH: TIN PLATE
0.00254 [L.000100] MIN
THK PER MIL-T-10727

DR 2-9-93 TA BRINKMAN
CHK 2-9-93 DA PATTERSON
APPD 2-9-93 DE MILLER
APPD 2-9-93 JL NECKLEY
PRODUCT SPEC

AMP Incorporated
Harrisburg, PA 17105-3608

TERMINAL, RING TONGUE,
BUDGET

SIZE: 00779
CAGE CODE: 00779
DRAWING NO: 34965
SCALE: 8:1

34965
PART NO

34965

CUSTOMER DRAWING