

CT05 SERIES MOLDED SWITCH




CT05 Series

The CT05 is a molded dry reed switch. It is single-pole, single throw (SPST) type, having normally open ruthenium contacts.

The sensor is a double-ended type and may be actuated with an electromagnet, a permanent magnet or a combination of both.

The device is designed for SMD mounting and is available in Gull Wing or J-lead configurations.

CT05 Series Features

- ▶ Ideal for SMD pick and place
- ▶ Tape and reel packaging
- ▶ 5W rating
- ▶ Rugged encapsulation
- ▶ Excellent life and reliability
- ▶ RoHS compliant 

APPLICATIONS

- ▶ Proximity Sensing
- ▶ Medical Applications
- ▶ Hearing Aids
- ▶ Pulse Counter

MODEL NUMBER		CT05-XXXX-G1	CT05-XXXX-J1
Parameters	Units		
OPERATING CHARACTERISTICS			
Operate Range	AT	15-50	15-50
Release Range	AT	5-45	5-45
ELECTRICAL CHARACTERISTICS			
Switched Power (max)	W	5	5
Switched Voltage DC (max)	V	140	140
Switched Voltage AC, RMS value (max)	V	100	100
Switched Current DC (max)	mA	350	350
Switched Current AC, RMS value (max)	mA	250	250
Carry Current DC (max)	A	0.5	0.5
Breakdown Voltage (min)	V	230	230
Contact Resistance (initial max)	mΩ	160	160
Contact Resistance (initial typ.)	mΩ	140	140
Insulation Resistance (min)	MΩ	10 ⁶	10 ⁶
ENVIRONMENTAL RATINGS			
Storage Temperature	°C	-40 to + 125	-40 to + 125
Operating Temperature	°C	-40 to + 125	-40 to + 125
Vibration Resistance	G	10	10
Shock Resistance	G	100	100

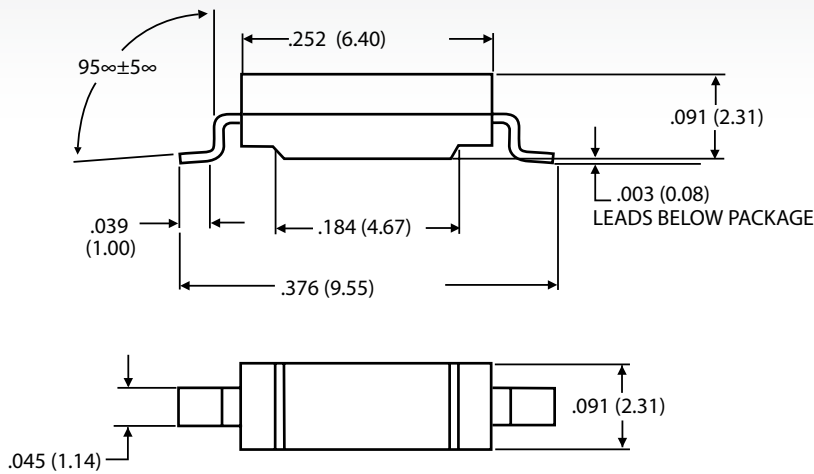
NOTES

- ▶ AT values measured using a Philips 10JK coil.
- ▶ Surface mount component processing temperature: 500°F(260°C) max for 1 minute dwell time.
- ▶ Temperature measured on leads where lead exits molded package.

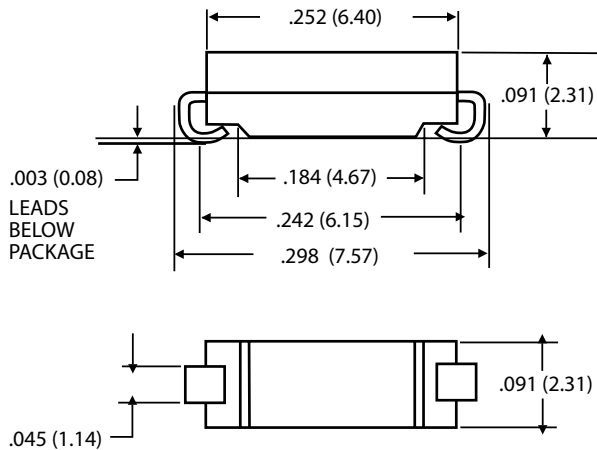
DIMENSIONS

max Inches (Millimeters)

CT05-XXXX-G1



CT05-XXXX-J1



ORDERING INFORMATION

A complete part number is represented by the digits to the right of the CT05 series prefix followed by a suffix as shown below.

EXAMPLE: CT05-3050-G1 is

- ▶ a CT05 sensor (5mm encapsulated switch)
- ▶ with a sensitivity range from 30 to 50AT
- ▶ lead ends are formed according to the G1 version
- ▶ CT05-XXXX (0001-1999) without a suffix is a customer special.

CT05-XXXX-YY	
Series	Lead Configuration Subset:
CT05	G1 for Gull Wing Version J1 for J-Lead Version
Std. AT Ranges (measured after mold & lead form)	
15-35; 30-50	

22102013