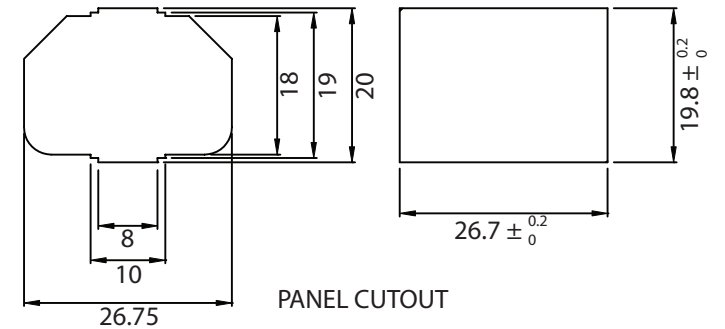
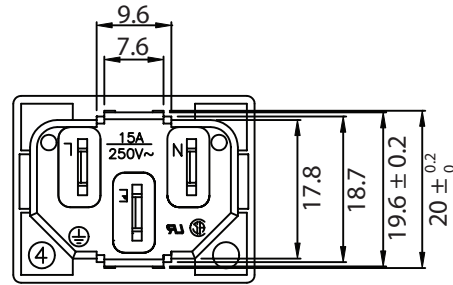
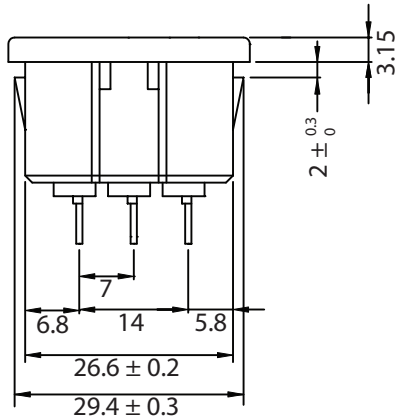
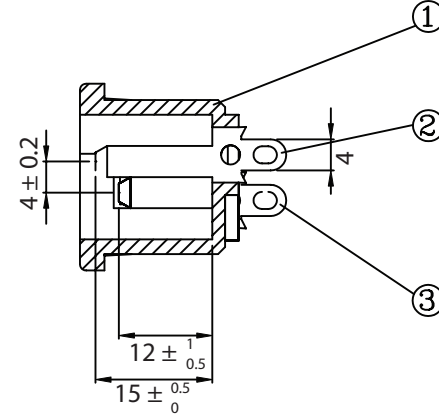
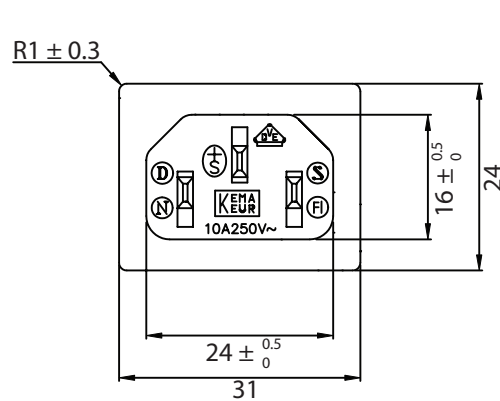


THESE DRAWINGS ARE THE PROPERTY OF QUALTEK ELECTRONICS AND NOT TO BE REPRODUCED FOR OR COMMUNICATED TO A THIRD PARTY WITHOUT THE EXPRESS WRITTEN PERMISSION OF AN OFFICER OF QUALTEK ELECTRONICS.

| REVISION | | | |
|----------|-----------------|----------|----------|
| REV. | DESCRIPTION | DATE | APPROVED |
| B | RoHS Compliancy | 06-01-06 | DP |
| | | | |



NOTES:

RATING:

UL, CSA: 15A 250V AC

VDE: 10A 250V AC

APPROVALS: UL, CSA, VDE

PANEL THICKNESS: 2.0mm

RoHS COMPLIANT

CONTROLLED

| | | |
|---|---|---|
| 3 | Contact PIN Bronze Strip t=2mm Tin-Plated | 2 |
| 2 | Contact PIN Bronze Strip t=2mm Tin-Plated | 1 |
| 1 | Body Insulator PC 940A Black Color | 1 |

| Dim range (mm) | Tolerance +/- (mm) | Qualtek Electronics Corp. PPC DIVISION | | |
|----------------|--------------------|---|------------|----------------|
| | | Part Number: | 701W-20/49 | RoHS Compliant |
| 0-1 | 0.15 | Description: AC RECEPTACLE | | |
| 1-6 | 0.20 | | | |
| 6-18 | 0.30 | | | |
| 18-50 | 0.50 | | | |
| 50-120 | 0.70 | Drawn / Date | UNIT: mm | REV. B |
| 120-250 | 0.90 | Checked / Date | | |
| 250-500 | 1.20 | B.Zhang 04-09-02 | 04-09-02 | JJH / 04-09-02 |