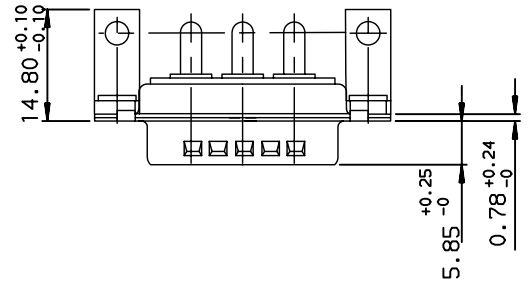
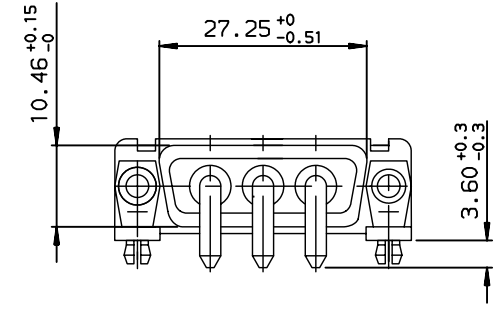
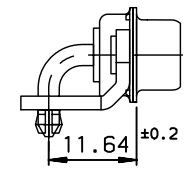
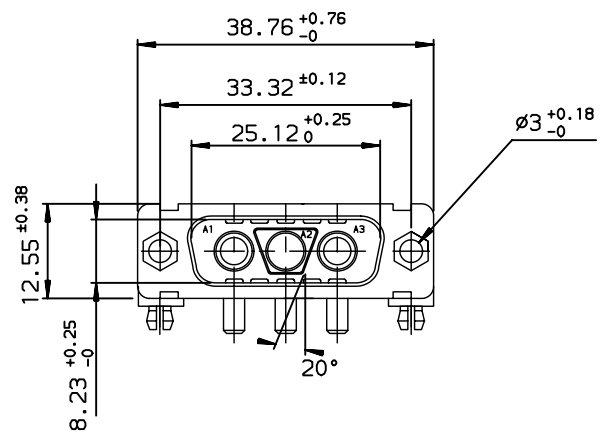
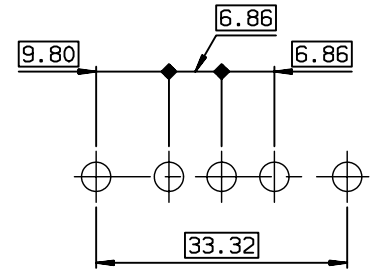


GENERAL CHARACTERISTICS : SEE DRAWING C01-8639-0001



DA3V3P500G40  
PART NUMBER

LAYOUT DIMENSIONS (after plating)  
CONNECTOR SIDE VIEW



www.fciconnect.com		surface ISO 1302 ✓	tolerance std ISO 406 ISO 1101	projection A3	mm
TOLERANCES UNLESS OTHERWISE SPECIFIED					
ANGULAR	LINEAR	0.X	±0.1	size A3	Scale 1.5
0.XX' ±2'		0.XX	±0.1	ECN LS07-0094	
0.XXX		0.XXX	±0.1	Spec ref -	
Product family SUB				Product family SUB	
<b>PIN CONNECTOR</b> FOR POWERS CONTACTS				dwg no <b>C01-8639-1762</b>	Rev. <b>C</b>
catalog no -				CUSTOMER	sheet 1 of 1

rev	ecn no	dr	date
B	-	MPE	2003/09/29
C	LS07-0094	MPE	2007/04/05
-	-	-	-
-	-	-	-
-	-	-	-
-	-	-	-

European Views

Copyright FCj