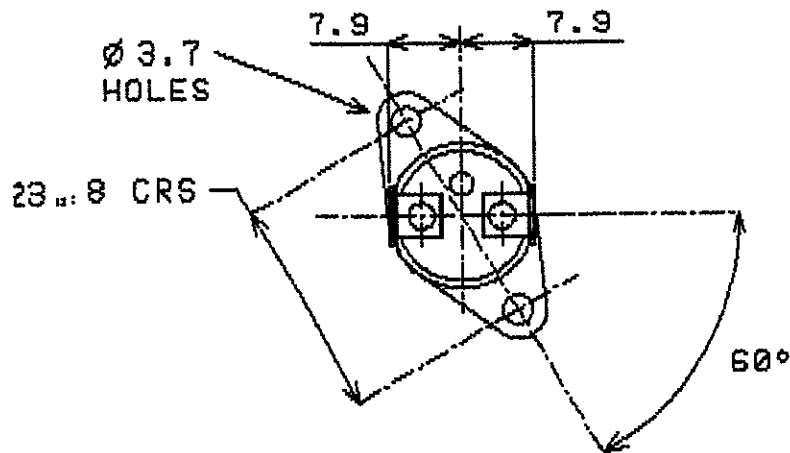


DO NOT SCALE ALL DIMENSIONS ARE FOR REFERENCE ONLY

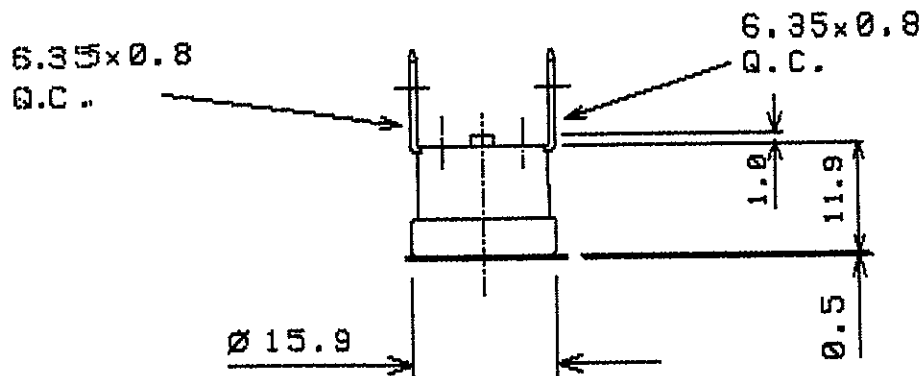
OPERATING CRITERIA

VOLTS; 250 AMPS; 10 HZ;



OPERATING TEMPS. DEG. C

OPEN; 40 ± 3
CLOSE; 25 ± 5



ISSUE	A								
MOD No	3338								
MTH/YR	7/88								

CODING REQUIREMENTS

COLOUR; LASER CODE
L40C 82 196 XXX

(XX : DATE CODING)

CAP: MAT'L: MAT'L:
BRKT;B201A13 MAT'L: ST/STEEL
PLATING:
TERMINAL: T147 T147
MATERIAL: BRASS BRASS
PLATING:

ELMWOOD DEVICE & UNIQUE PART No.
2455R-82-196

ELMWOOD DRG No. ISSUE
882745 A



ELMWOOD
SENSORS LTD

DATE OF ISSUE STAMP

7 JUL 1998