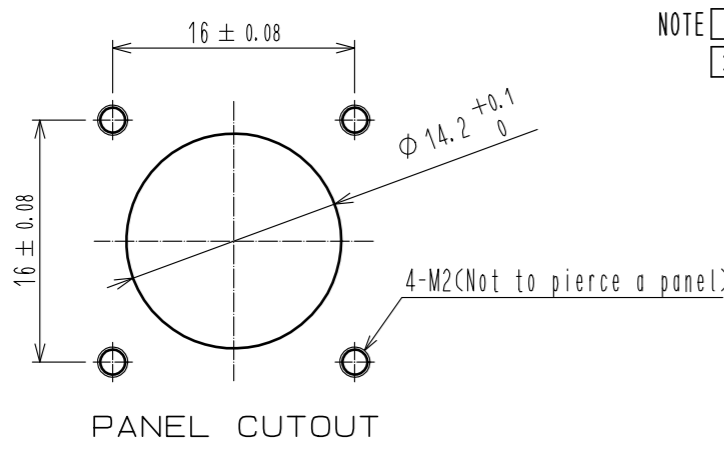
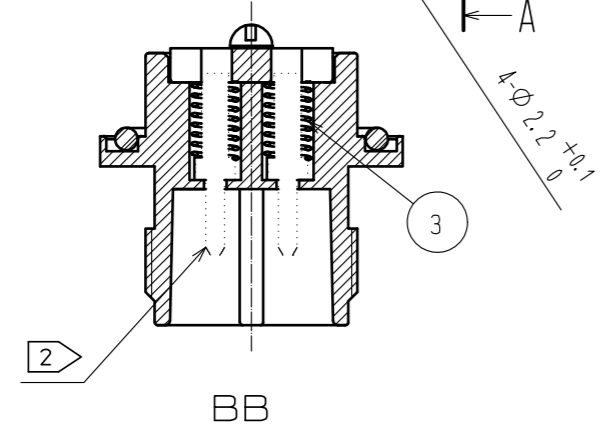
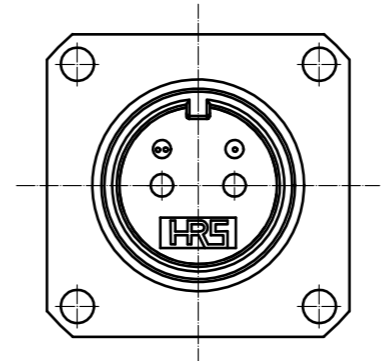
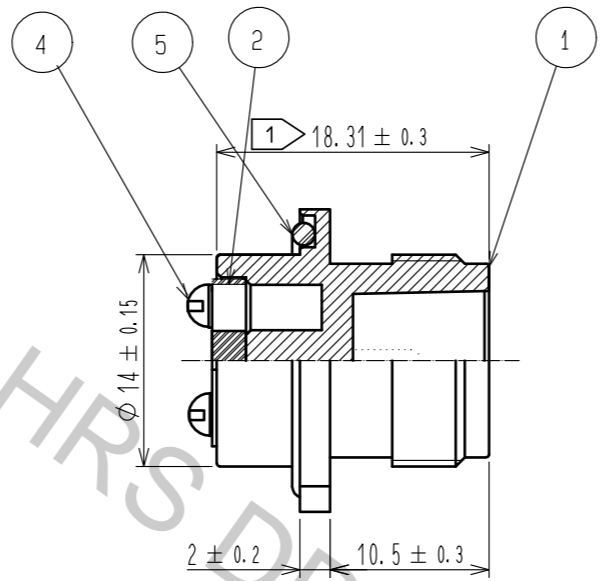
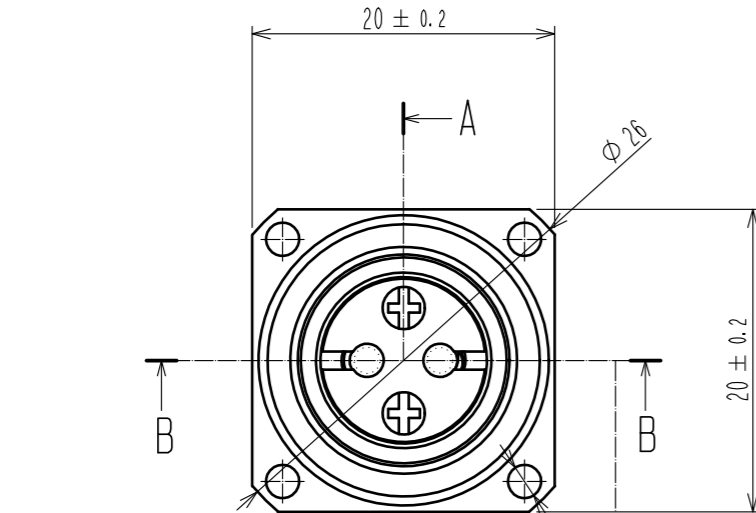
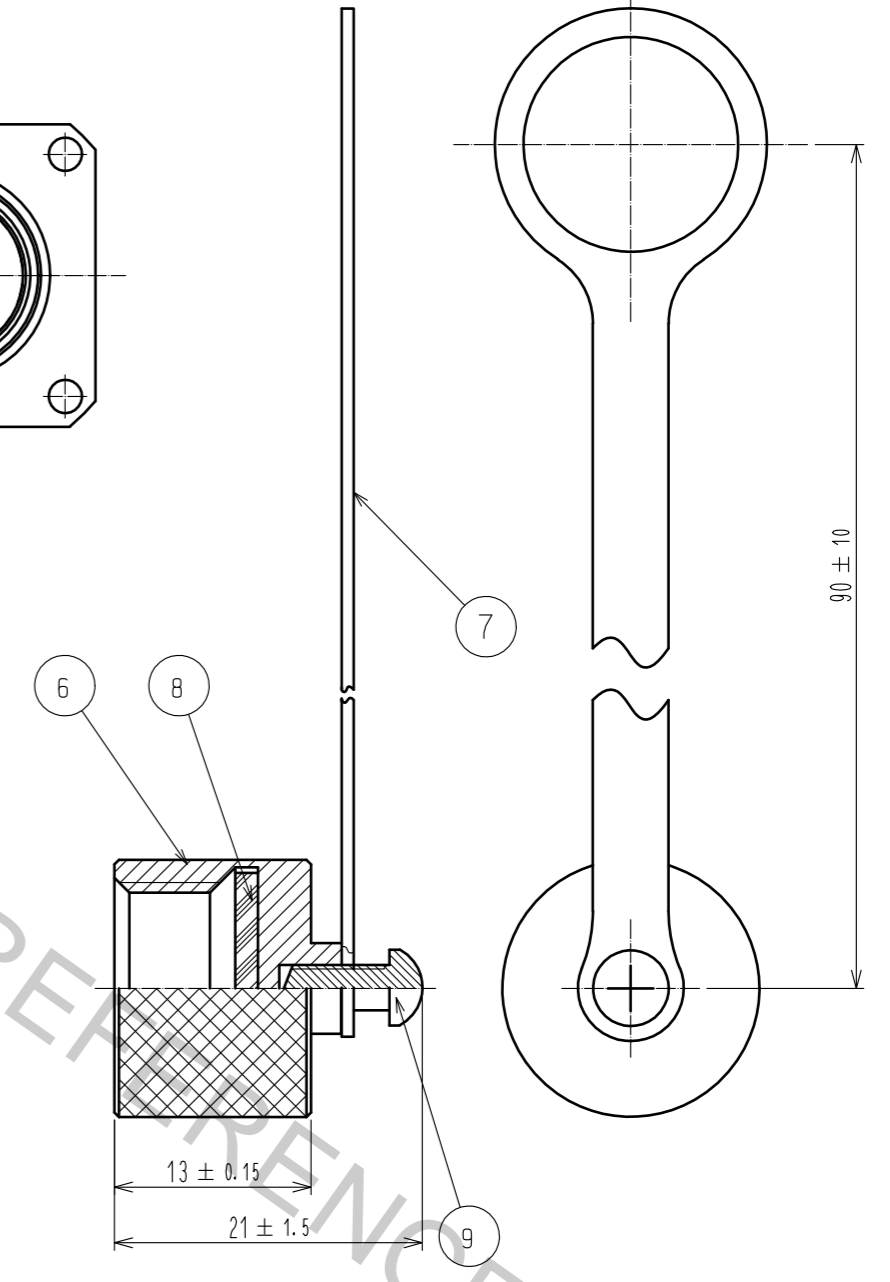


Aug.1.2018 Copyright 2018 HIROSE ELECTRIC CO., LTD. All Rights Reserved.  
 In case that the application demands a high level of reliability, such as automotive,  
 please contact a company representative for further information.



NOTE 1 This dimension shows after assembling.  
 2 This product is not attached with a ferrule. Please use an optional MU ferrule.



5	Synthetic rubber				
4	Stainless steel		9	Stainless steel	Nyrock
3	Piano wire	Chrome plating	8	Synthetic rubber	
2	Synthetic resin		7	Nylon	
1	Zinc die casting	Chrome plating	6	Aluminum alloy	Anodic oxide coating
NO.	MATERIAL	FINISH . REMARKS	NO.	MATERIAL	FINISH . REMARKS
UNITS mm		SCALE 2 : 1	COUNT	DESCRIPTION OF REVISIONS	
DESIGNED		CHECKED		DATE	
APPROVED : MT. SHIBUTANI			18.03.27	DRAWING NO. EDC-176142-31-00	
CHECKED : MT. SHIBUTANI			18.03.27	PART NO. MF10S-WDRF20-0200(31)	
DESIGNED : SI. MATSUMOTO			18.03.27	CODE NO. CL709-0517-0-31	
DRAWN : SR. TOYOKAWA			18.03.27	1/1	