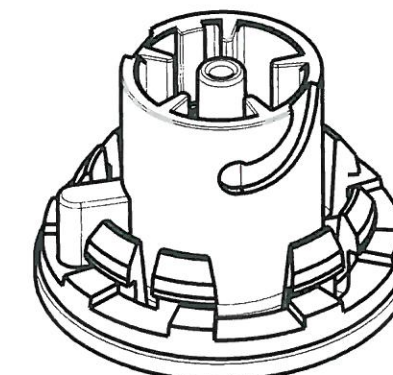
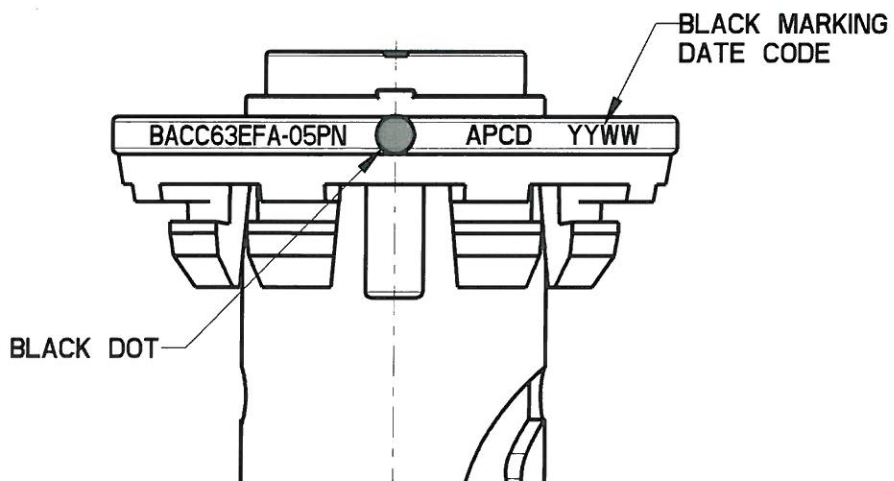
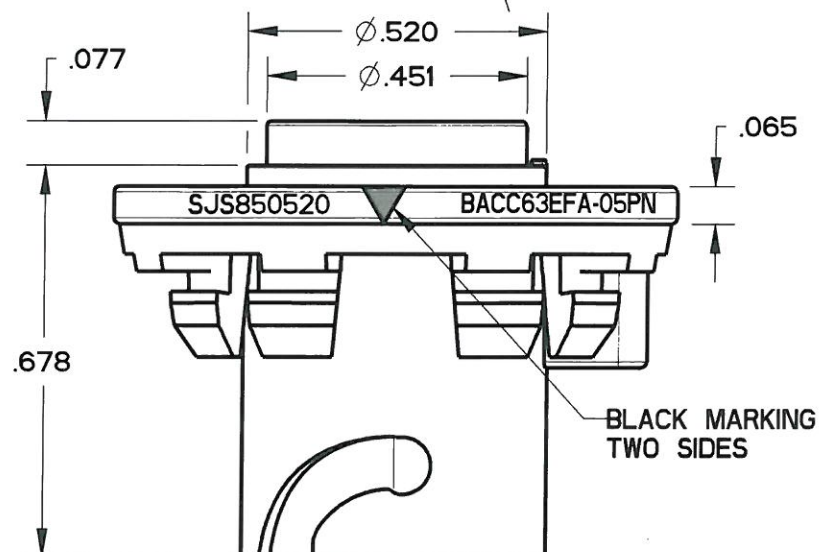
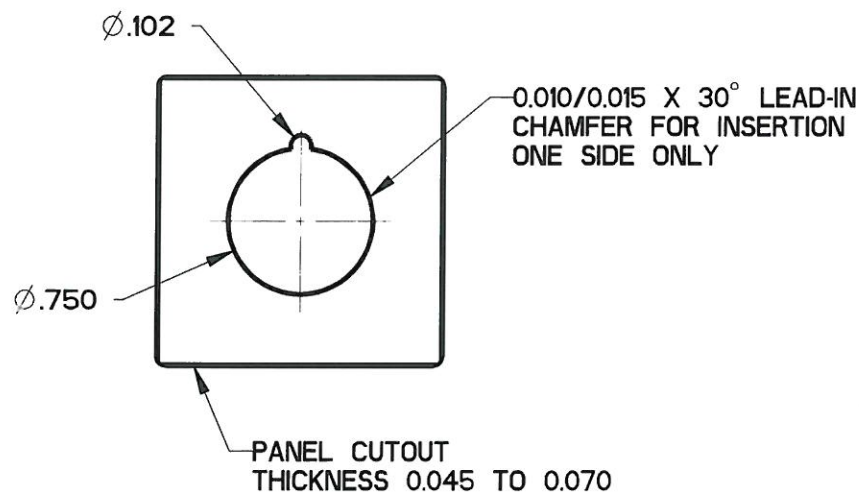
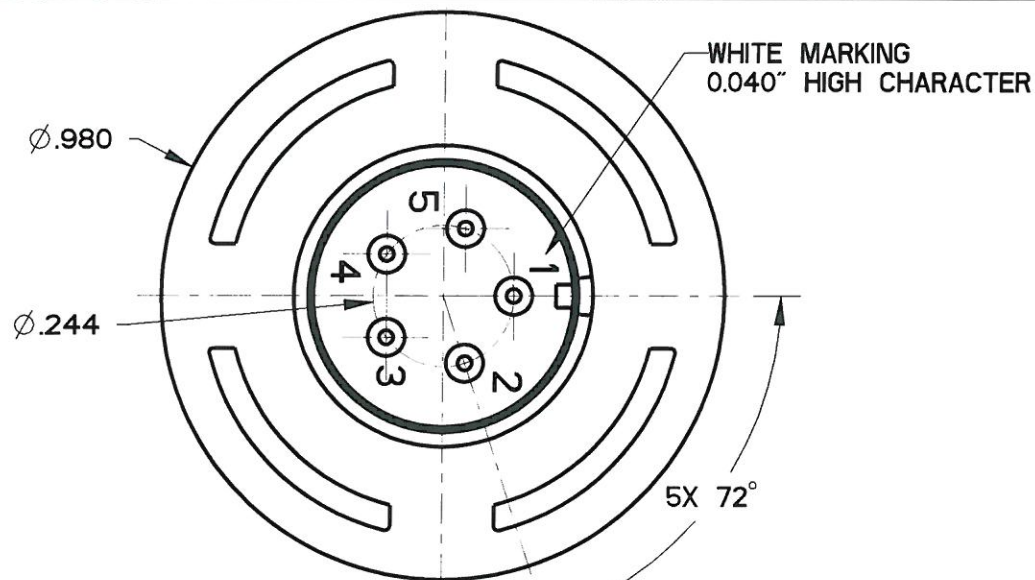


SJS850520

REV	ECN	APP'D
-	6481	JT 2/22/10
A	6487	JT 2/25/10
B	6498	JT 3/08/10
C	6573	JT 8/30/10



SCALE 2:1

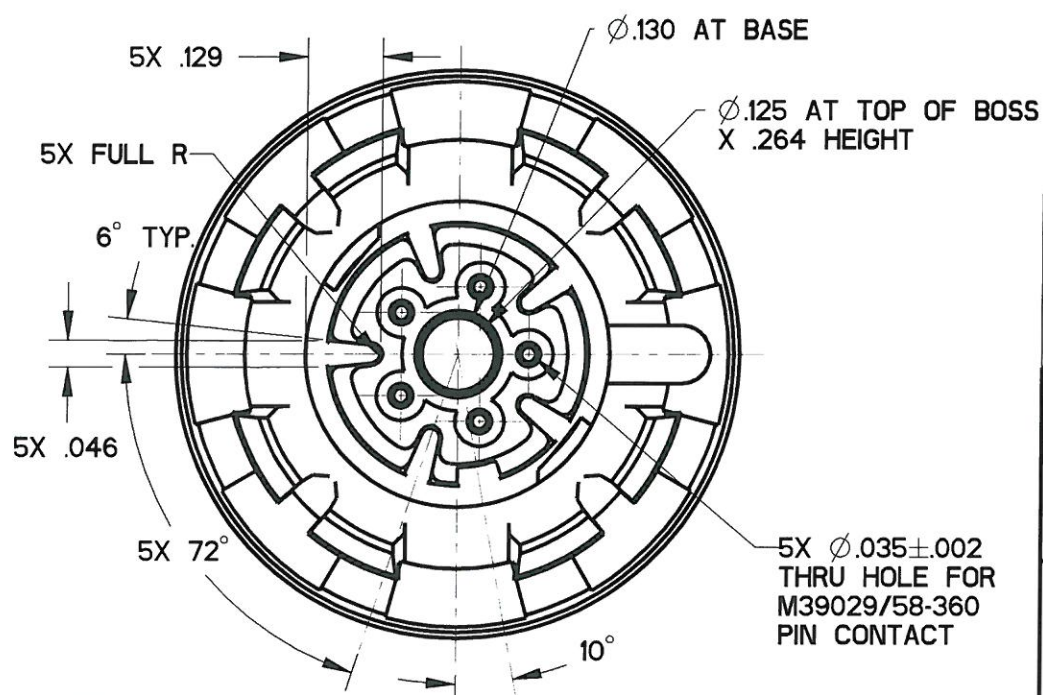


TABLE I

APCD P/N	BOEING P/N	P/N MARKING(S)	CONTACTS SUPPLIED
SJS850520	BACC63EFA-05PNH	BACC63EFA-05PN	NONE
SJS850521	BACC63EFA-05PN	SJS850520	(5) M39029/58-360

NOTES:

- MATERIALS:
HOUSING: PA6/6
CONTACT RETAINER: STAINLESS STEEL
GROMMET: SILICONE RUBBER PER A-A-59588
- MATING CONTACTS: SEE TABLE I
- TEST SPECIFICATION: BACC63EF
- PART MATES WITH SJS850510
- WEIGHT: 3.6 GRAMS
- SUPPLIED WITH DUST CAP

DIMENSIONS ANSI Y14.5M UNITS: INCHES Pro/E FILE	TOLERANCES .XX ± 0.01 .XXX ± 0.005 ANGLES $\pm 10^\circ$	PROJECTION 	Amphenol Pcd SPECIFICATION DRAWING ENGR Frank.Li 15-Mar-09		TITLE BACC63EFA-05PN 5P SZ22 PANEL WHITE RECEPTACLE FOR SJS		
			ORIGINAL 	THIS DOCUMENT CONTAINS PROPRIETARY INFORMATION WHICH IS THE CONFIDENTIAL PROPERTY OF AMPHENOL PCD INC., BEVERLY, MA		CHKD 8/30/10 APPD 8/30/10	SIZE B DWG NO. SJS850520_CE REV C

SJS850520

SJS850520