


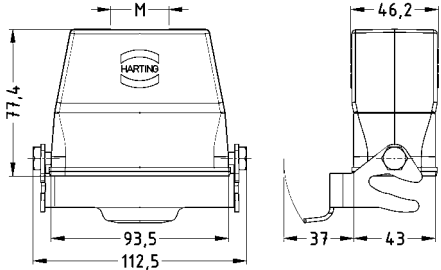





Identification	Cable entry	Part number	Drawing Dimensions in mm
Han-INOX®, Bulkhead mounted housings, with protection cover 		19 44 310 0303	
Han-INOX®, Protection cover for bulkhead mounted housings, metal 		19 44 310 5421	
Han-INOX®, Cable to cable housings, top entry 	1xM32	19 44 310 0757	
Han-INOX®, Flange gasket 		19 44 000 9902	