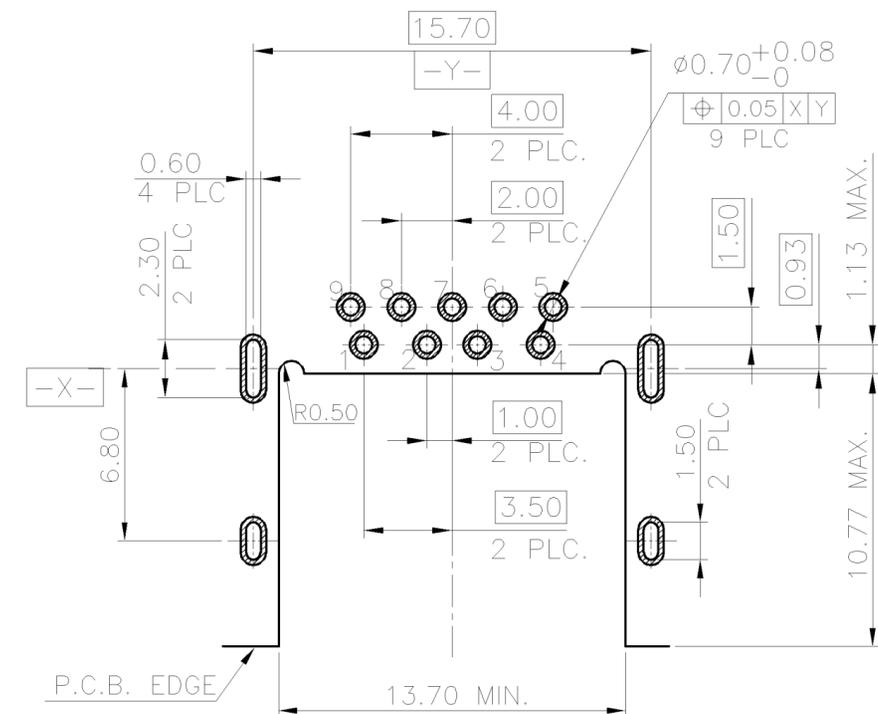
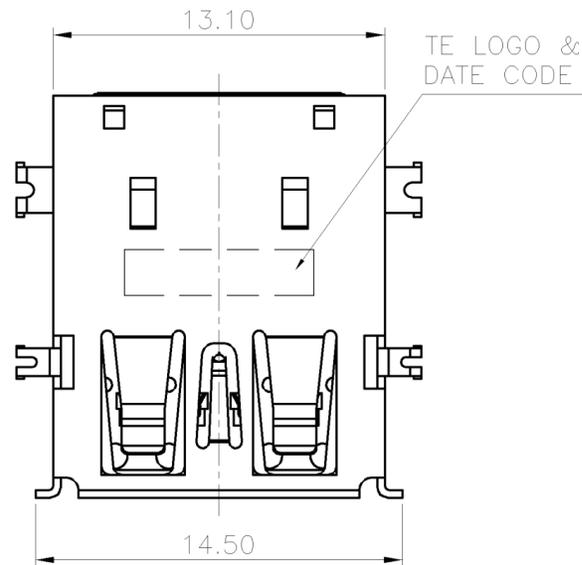


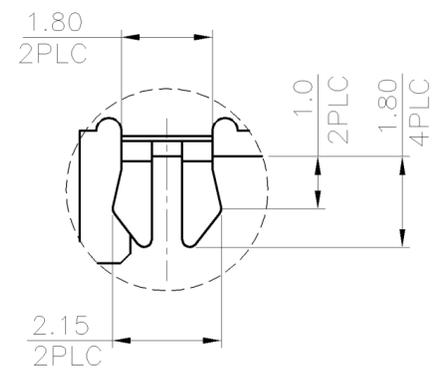
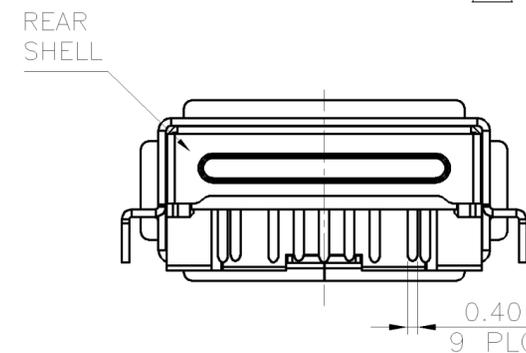
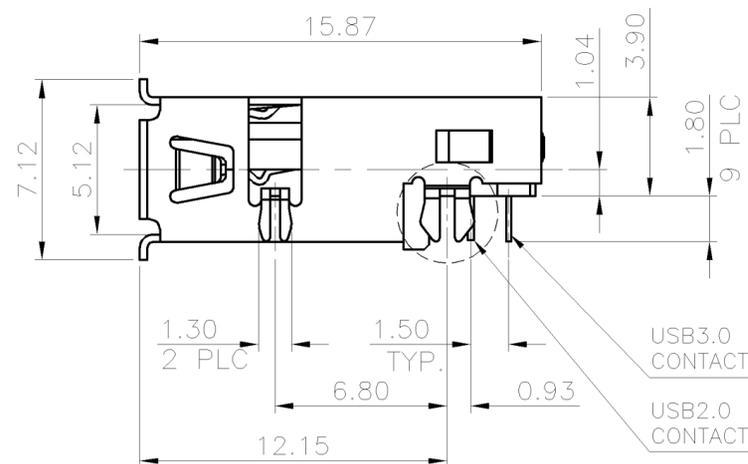
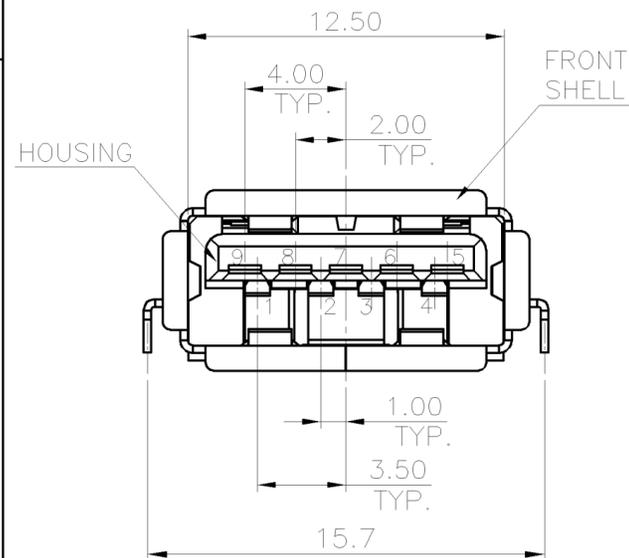
P	LTR	DESCRIPTION	DATE	DWN	APVD
	A	RELEASED.	20DEC10	JC	WK

NOTE:

- MATERIAL:
 - HOUSING: HTN WITH 30% GF, UL 94V-0, BLACK COLOR.
 - SPACER: HTN WITH 30% GF, UL 94V-0, BLACK COLOR.
 - USB2.0 CONTACT: PHOSPHOR BRONZE, 0.25±0.05mm THICKNESS.
 - USB3.0 CONTACT: BRASS. 0.20±0.05mm THICKNESS.
 - FRONT SHELL: STAINLESS STEEL, 0.30±0.05mm THICKNESS.
 - REAR SHELL: STAINLESS STEEL, 0.20±0.05mm THICKNESS.
 - FINISH:
 - CONTACT: 0.762µm [30µ"] MIN. GOLD PLATING ON CONTACT AREA, 3.048µm [120µ"] MIN. MATTE TIN PLATING ON SOLDER TAILS, WITH 1.27µm [50µ"] MIN. NICKEL UNDERPLATED ON ENTIRE CONTACT.
 - SHELL: 0.762µm [30µ"] MIN. NICKEL PLATED OVER 0.762µm [30µ"] MIN. Cu UNDERPLATING OVERALL.
 - REFLOW SOLDER CAPABLE TO 260°C PER TE SPEC 109-201, CONDITION B.
 - DATE CODE: YYWWD
 - NO PIN MARK ON PRODUCT.
 - LOW HALOGEN SPECIFICATION:
 - CHLORINE(Cl): 900ppm MAX.
 - BROMINE(Br): 900ppm MAX.
- △ NO BOARD LOCK FUNCTION APPLICATION.



RECOMMEND P.C.B LAYOUT (THICKNESS=1.2mm)
 △ (COMPONENT SIDE) TOLERANCE±0.05



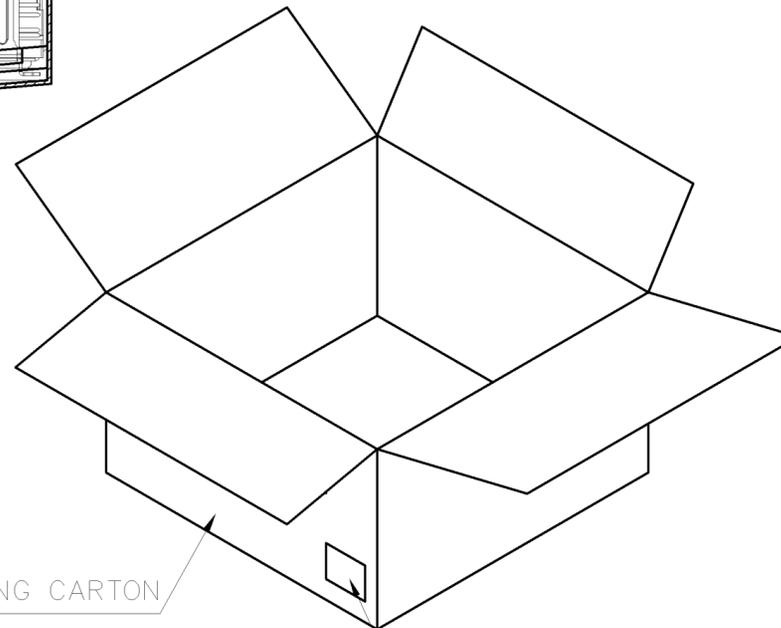
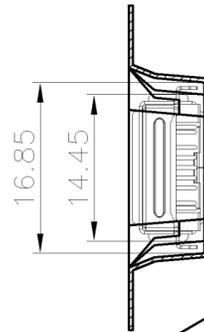
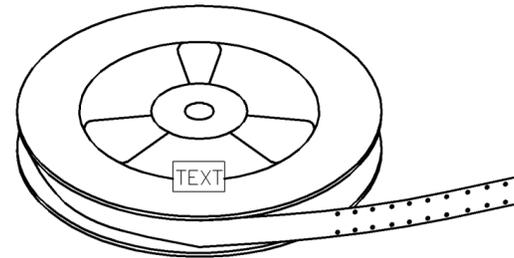
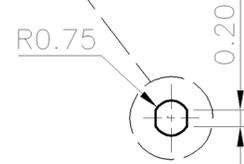
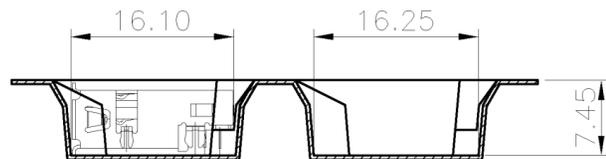
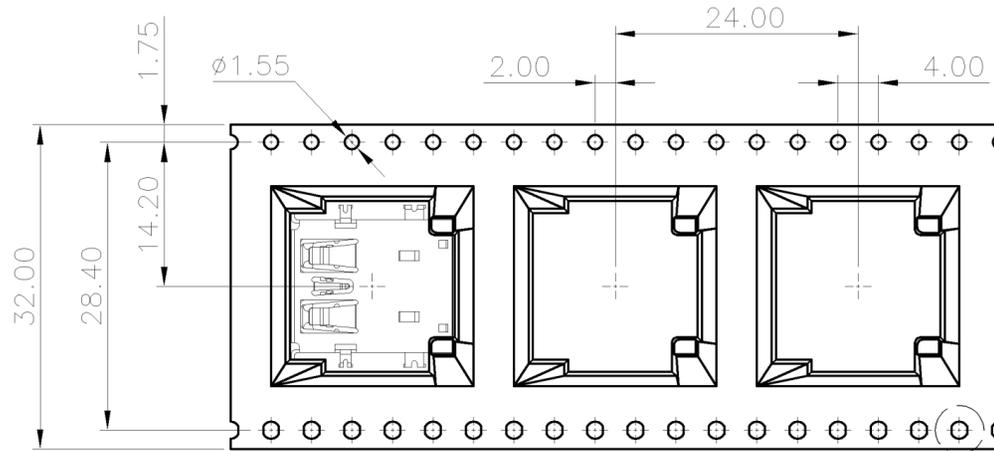
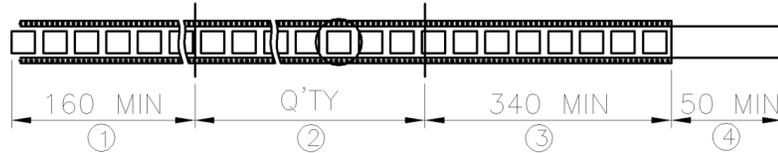
TAPE & REEL	2041179-1
PACKAGING	PART NUMBER

THIS DRAWING IS A CONTROLLED DOCUMENT.		DWN J. CHEN 20DEC2010	Tyco Electronics Corporation Taipei, Taiwan	
DIMENSIONS: MM		CHK S. CHIEN 20DEC2010		
TOLERANCES UNLESS OTHERWISE SPECIFIED:		APVD W. KODAMA 20DEC2010	NAME	
0 PLC ± - 1 PLC ± 0.35 2 PLC ± 0.25 3 PLC ± 0.15 4 PLC ± - ANGLES ± 3°		PRODUCT SPEC 108-57791	USB 3.0 STANDARD TYPE A, RECEPTACLE, CL:1.04mm	
MATERIAL SEE NOTE		FINISH SEE NOTE	SIZE A3	CAGE CODE 00779
		CUSTOMER DRAWING	DRAWING NO C=2041179	RESTRICTED TO
		SCALE -	SHEET 1 OF 2	REV A

LOC DW DIST

REVISIONS				
P	LTR	DESCRIPTION	DATE	APVD
-	-	SEE SHEET 1.	-	-

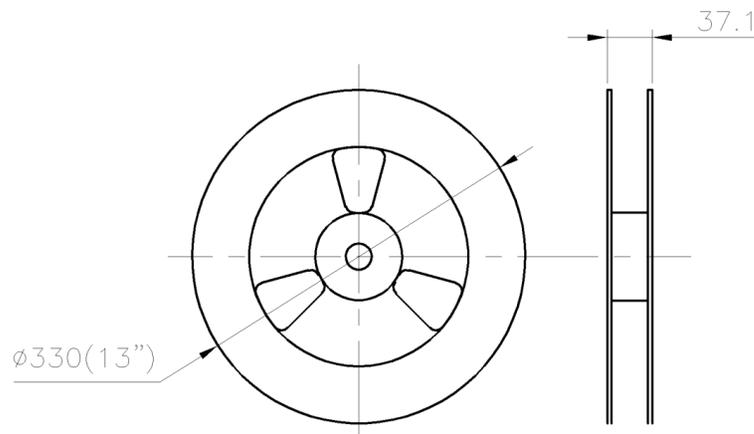
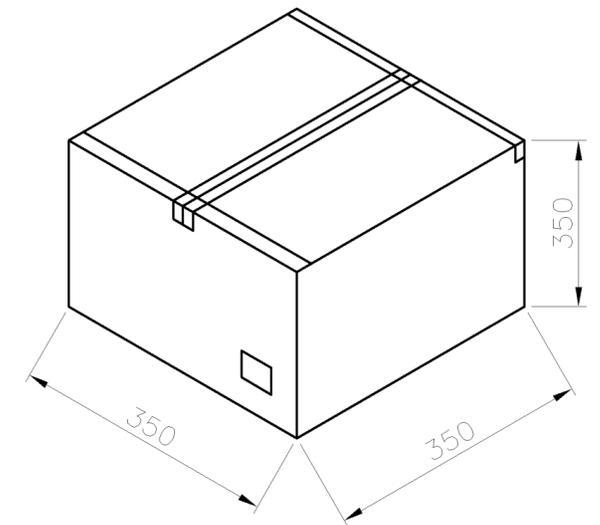
PULL OUT DIRECTION



SHIPPING CARTON

LABEL

- NOTES:
- MATERIAL:
REEL: PS.
CARRIER: PS.
COVER TAPE: PBT.
 - DIMENSION
REEL: 330mmX37.1mm
 - PEELING STRENGTH: 0.1~1.3N(10.2g~132.5g)
 - PEELING SPEED: 300MM/MIN.



9.46 Kg	4.86 Kg	300	9	2700 PCS	2041179-1
GROSS WEIGHT	NET WEIGHT	PCS/REEL	REELS /CARTON	QUANTITY	PART NUMBER

THIS DRAWING IS A CONTROLLED DOCUMENT.		DWN	Tyco Electronics Corporation Taipei, Taiwan		
DIMENSIONS: MM		CHK	NAME		
TOLERANCES UNLESS OTHERWISE SPECIFIED:		APVD	USB 3.0 STANDARD TYPE A, RECEPTACLE, CL:1.04mm		
0 PLC ± -		PRODUCT SPEC	SIZE CAGE CODE DRAWING NO RESTRICTED TO		
1 PLC ± -		APPLICATION SPEC	A3 00779 C=2041179		
2 PLC ± -		WEIGHT	SCALE SHEET 2 OF 2 REV A		
3 PLC ± -		CUSTOMER DRAWING			
4 PLC ± -					
ANGLES ± -					
FINISH					