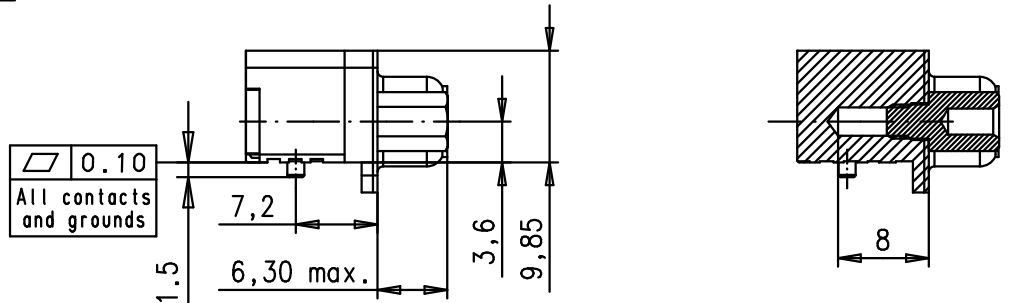
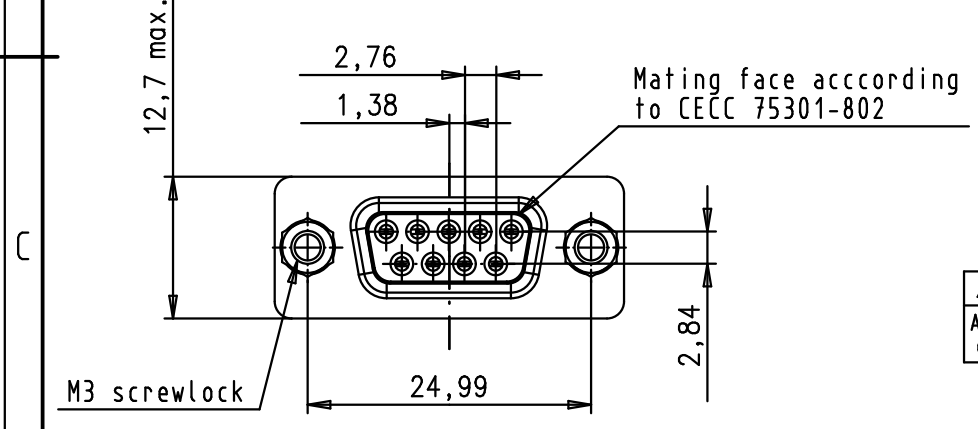
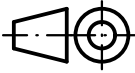

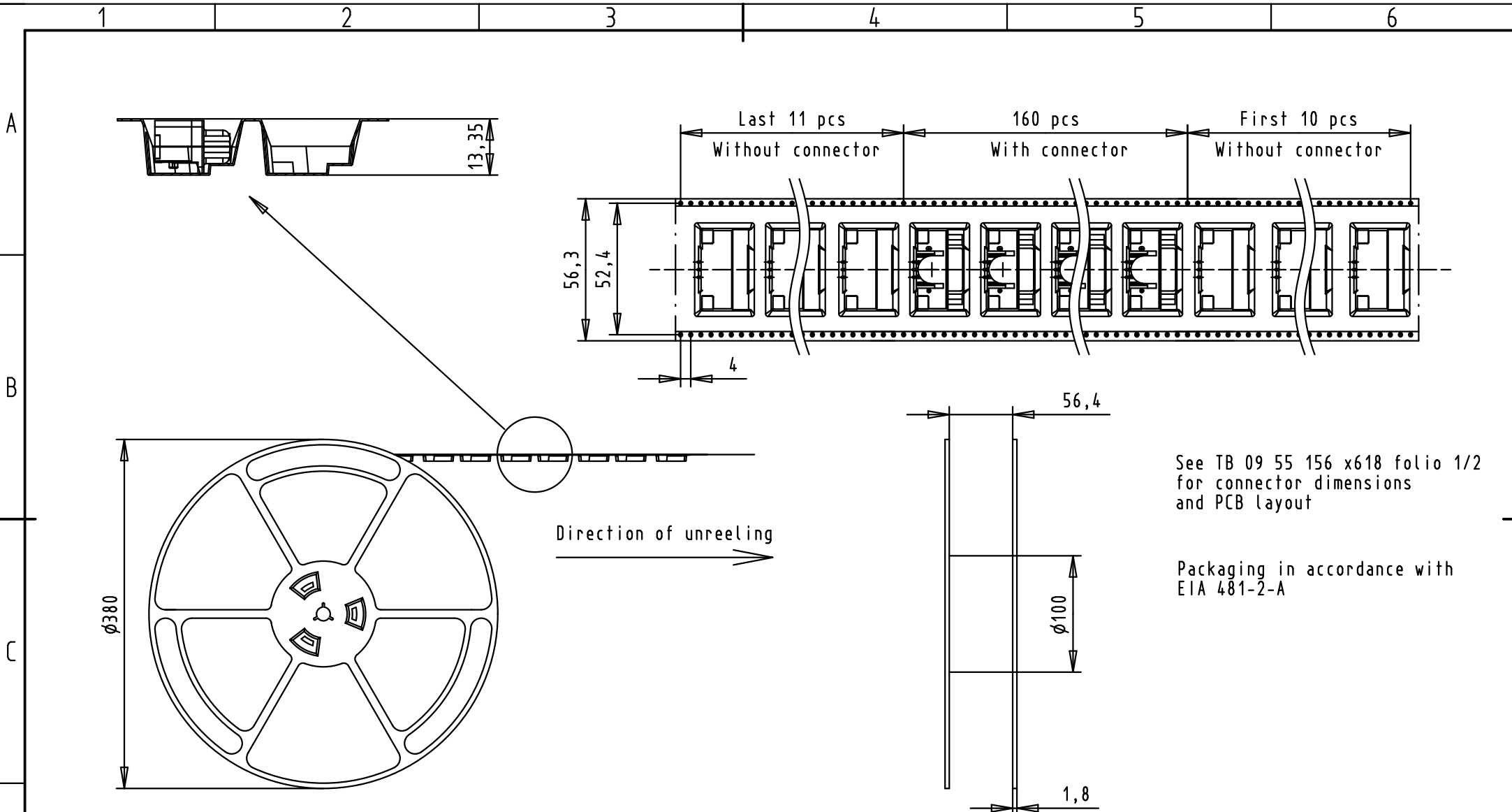


PCB Layout, component side (thickness 1.6 mm min.)



Max. Temperature : 260° during 10 seconds

								Dat.		Name		 All Dim. in mm Orig. Size DIN A 4		D-SUB SMT Low Profile Female 9p with die casted grounds and M3 screwlocks		Maßstab/ Scale			
								Detail.		13Jul2007						ED		1,5:1	
								Insp.											
								Stand.						TB 09 55 156 x618		Blatt/ Page			
09551563618.741 1 09551566618.741 2 09551567618.741 3				M3		Black Insulator		Reel Packaging (160 connectors) see page 2/2		EC01215		14Jan2010				ED		 HARTING EURL F-95972 Paris	
Part number PL Thread Index designation														Mod.		Dat.			



See TB 09 55 156 x618 folio 1/2
for connector dimensions
and PCB layout

Packaging in accordance with
EIA 481-2-A

09551563618.741	1	M3	Black Insulator	Reel Packaging (160 connectors)
09551566618.741	2			
09551567618.741	3			
Part number	PL	Thread	Index designation	

				Dot.	Name
				Detail.	13Jul2007
				Insp.	
				Stand.	
EC01215	14Jan2010	ED			
EC01118	26Nov2009	LP			
34407	31Aug2007	ED			
34378	13Jul2007	ED			
Mod.	Dot.	Name	HARTING EURL F-95972 Paris		

All Dim. in mm
Orig. Size DIN A 4

D-SUB SMT
Low Profile Female 9p
with die casted grounds
and M3 screwlocks

TB 09 55 156 x618

Sub.