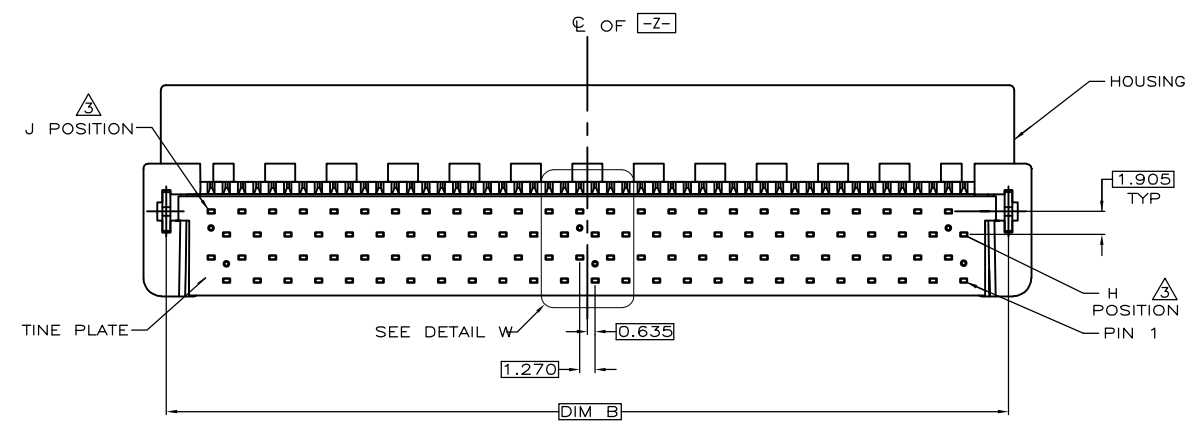
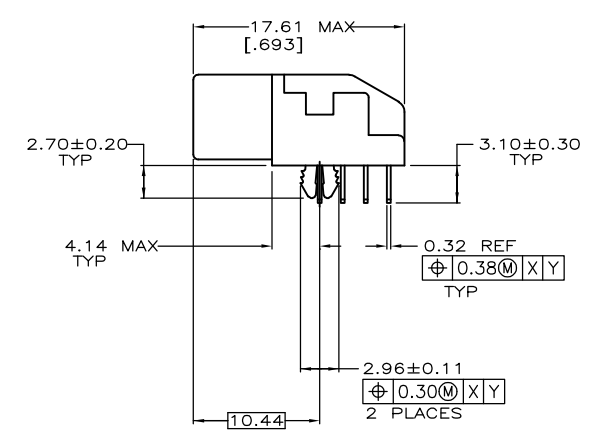
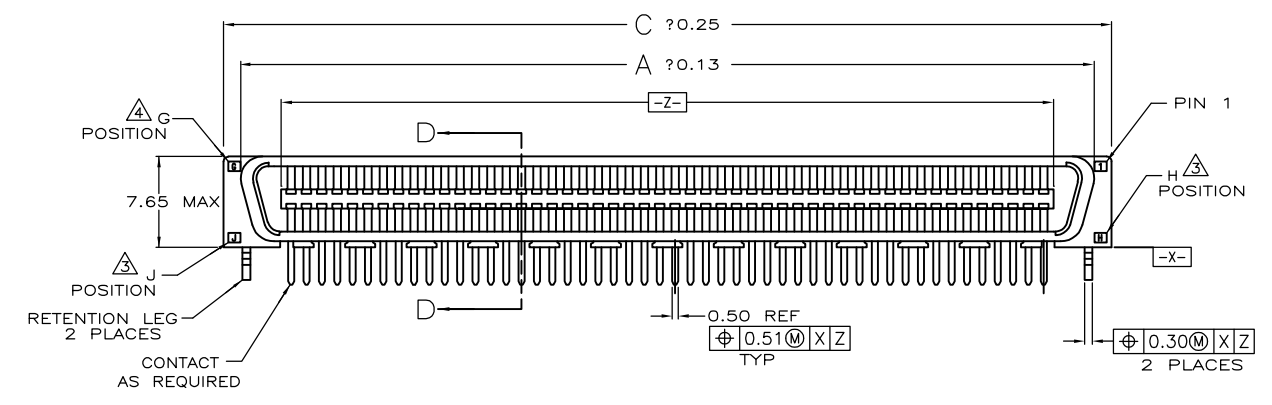
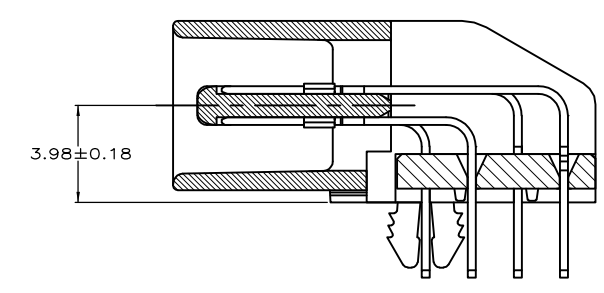
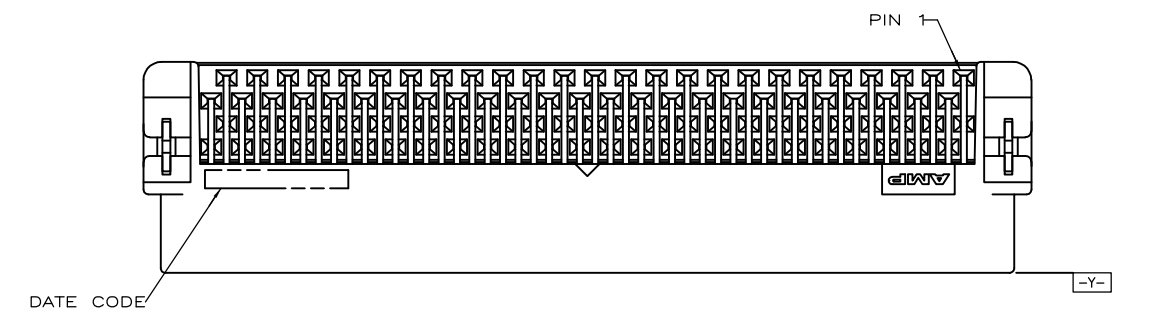


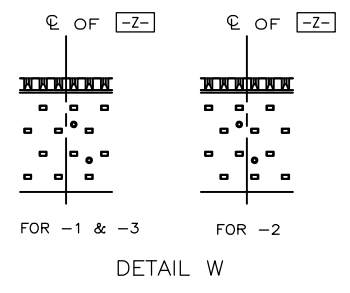
THIS DRAWING IS UNPUBLISHED. RELEASED FOR PUBLICATION
 © COPYRIGHT - By - ALL RIGHTS RESERVED.

LOC	DIST	REVISIONS			
P	LTR	DESCRIPTION	DATE	DWN	APVD
DW	/	B1	REVISED PER ECR-12-013103	25MAR13	K.M E.T



- ▲ HOUSING AND TINE PLATE: LCP, 94V-0, BLACK.
CONTACT: PHOSPHOR BRONZE.
RETENTION LEG: BRASS.
- ▲ CONTACT: GOLD FLASH OVER
0.76µm MIN PALLADIUM-NICKEL FOR A LENGTH OF 2.00 MIN FOR A LENGTH OF 1.00 MAX FROM MATING END,
3.75µm TIN-CU FOR A LENGTH OF 3.40 MIN FROM OPPOSITE END, BOTH OVER 1.27mm MIN NICKEL.
RETENTION LEG: 3.81µm MIN TIN-CU OVER 1.27µm MIN NICKEL.
- ▲ G, J AND H INDICATE NUMBER OF POSITION MARKED ON ASSEMBLY. SEE TABLE.
- 4 CONNECTOR WILL ACCOMMODATE PRINTED CIRCUIT BOARD THICKNESS OF 0.80 TO 1.60.
- ▲ ALL DIMENSIONS SHOWN ARE MAXIMUM UNLESS OTHERWISE SPECIFIED.

OBSOLETE	120	61	60	86.13	82.33	83.27	120	1734359-3
	100	51	50	73.43	69.63	70.57	100	1734359-2
OBSOLETE	80	41	40	60.73	56.93	57.87	80	1734359-1
	J	H	G	C	B	A	POS.	PART NUMBER

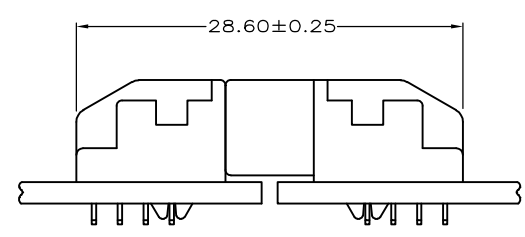
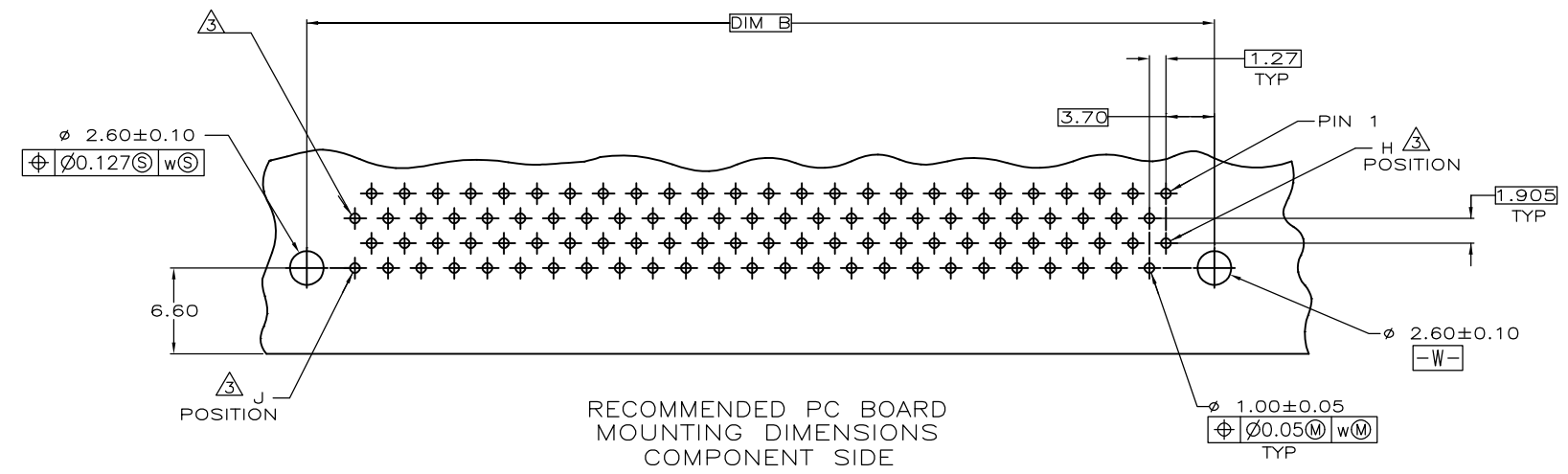


THIS DRAWING IS A CONTROLLED DOCUMENT.

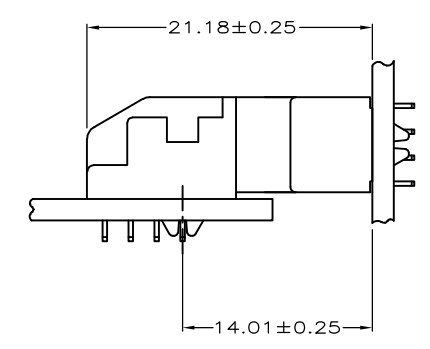
DIMENSIONS: mm	TOLERANCES UNLESS OTHERWISE SPECIFIED: 0 PLC ± - 1 PLC ± - 2 PLC ± - 3 PLC ± - 4 PLC ± - ANGLES ± -	DWN O. HU 07FEB2006	TE Connectivity PLUG ASSEMBLY, RIGHT ANGLE, BOARD-TO-BOARD, CHAMP .050, SERIES I
	5	CHK S. HOU 07FEB2006	
MATERIAL SEE NOTE	FINISH SEE NOTE	APVD W.J. KE 07FEB2006	
CUSTOMER DRAWING		NAME W.J. KE PRODUCT SPEC 108-57876 APPLICATION SPEC	
		WEIGHT -	SIZE A3
			CAGE CODE 00779
			DRAWING NO C-1734359
			RESTRICTED TO -
		SCALE -	SHEET 1 OF 3
			REV B1

THIS DRAWING IS UNPUBLISHED. RELEASED FOR PUBLICATION - , - .
 © COPYRIGHT - By - ALL RIGHTS RESERVED.

LOC	DIST	REVISIONS			
P	LTR	DESCRIPTION	DATE	DWN	APVD
		SEE SHEET 1	-	-	-



RIGHT ANGLE PLUG ASSEMBLY MATED TO RIGHT ANGLE RECEPTACLE ASSEMBLY



RIGHT ANGLE PLUG ASSEMBLY MATED TO VERTICAL RECEPTACLE ASSEMBLY

THIS DRAWING IS A CONTROLLED DOCUMENT.		DWN	TE Connectivity NAME PLUG ASSEMBLY, RIGHT ANGLE, BOARD-TO-BOARD, CHAMP .050, SERIES I				
DIMENSIONS: mm		CHK					
		APVD					
TOLERANCES UNLESS OTHERWISE SPECIFIED: 0 PLC ± - 1 PLC ± - 2 PLC ± - 3 PLC ± - 4 PLC ± - ANGLES ± -		PRODUCT SPEC					
MATERIAL		FINISH	APPLICATION SPEC	SIZE	CAGE CODE	DRAWING NO	RESTRICTED TO
			WEIGHT	A3	00779	C-1734359	-
CUSTOMER DRAWING			SCALE	SHEET	REV		
			-	2 OF 3	B1		

THIS DRAWING IS UNPUBLISHED.

RELEASED FOR PUBLICATION

© COPYRIGHT - By -

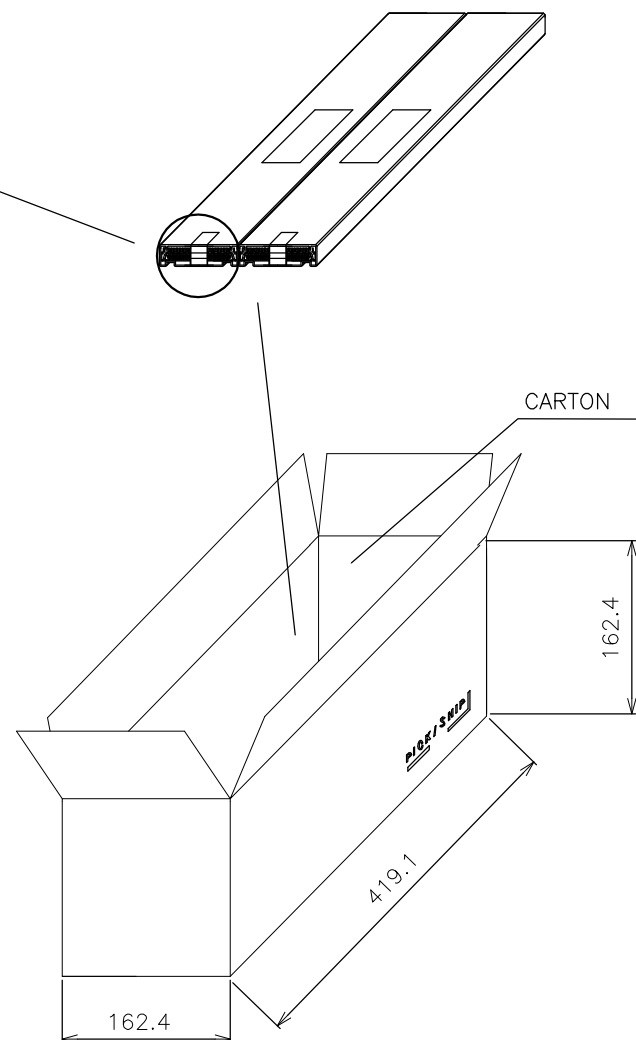
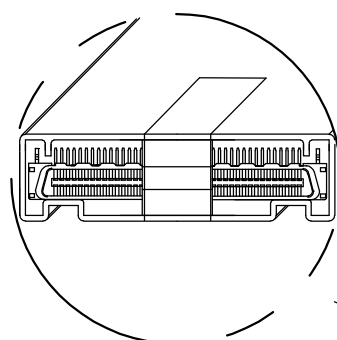
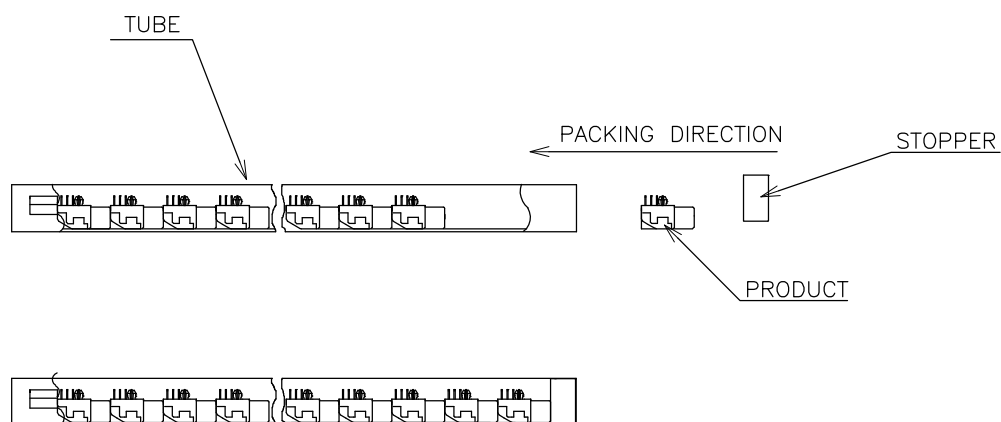
ALL RIGHTS RESERVED.

LOC
DW


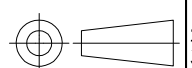
DIST
/

REVISIONS

P	LTR	DESCRIPTION	DATE	DWN	APVD
-	-	SEE SHEET 1	-	-	-



①	OBSOLETE	5.83	3.40	21	16	336	1734359-3	120
		4.95	2.63	21	16	336	1734359-2	100
②	OBSOLETE	3.91	2.12	21	16	336	1734359-1	80
		G.W./CARTON (KG)	N.W./CARTON (KG)	PCS/TUBE	TUBES/CARTON	QUANTITY/CARTON (PCS)	PART NUMBER	POS.

THIS DRAWING IS A CONTROLLED DOCUMENT.		DWN	 TE Connectivity					
DIMENSIONS: mm		CHK				NAME		
		APVD						
TOLERANCES UNLESS OTHERWISE SPECIFIED: 0 PLC ± - 1 PLC ± - 2 PLC ± - 3 PLC ± - 4 PLC ± - ANGLES ± -		PRODUCT SPEC				PLUG ASSEMBLY, RIGHT ANGLE, BOARD-TO-BOARD, CHAMP .050, SERIES I		
MATERIAL		FINISH	APPLICATION SPEC	SIZE	CAGE CODE	DRAWING NO	RESTRICTED TO	
			WEIGHT	A3 00779		C-1734359		
CUSTOMER DRAWING			SCALE	SHEET	3 OF 3	REV	B1	