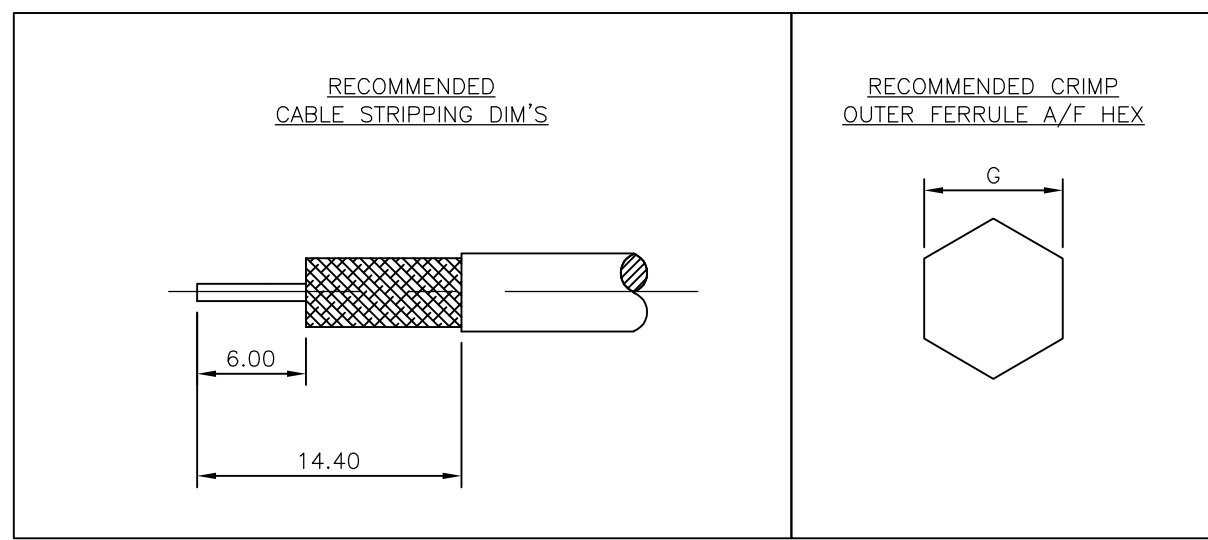
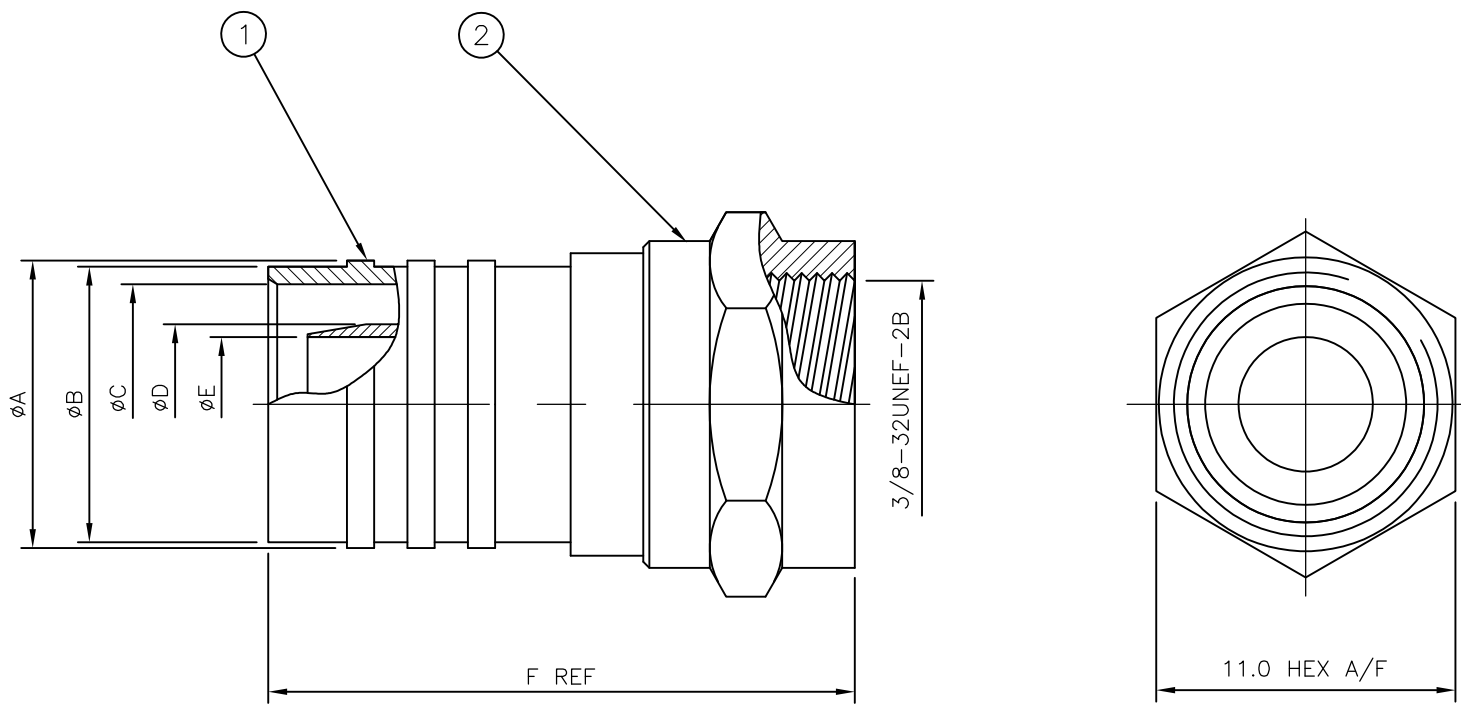


THIS DRAWING IS UNPUBLISHED. RELEASED FOR PUBLICATION NOV ,2006.
 © COPYRIGHT 2006 By - ALL RIGHTS RESERVED.

LOC E	DIST B	REVISIONS					
		P	LTR	DESCRIPTION	DATE	DWN	APVD
			C	REVISED PER ECR-12-013598	14JAN2013	GG	MY

		9.50	19.40	6.00	6.70	8.70	10.00	10.50	CT125	5-1814821-7	
OBSOLETE		9.50	19.40	6.00	6.70	8.70	10.00	10.50	CT125	5-1814821-6	
OBSOLETE	9-1478243-0	8.50	19.40	4.85	5.70	7.70	9.00	9.50	CT100	5-1814821-5	
OBSOLETE	9-1478243-0	8.50	19.40	4.85	5.70	7.70	9.00	9.50	CT100	5-1814821-4	
	1583581-1	10.20	19.40	4.85	5.50	9.50	10.80	11.20	RG6/U	5-1814821-3	
OBSOLETE	1583581-1	10.20	19.40	4.85	5.50	9.50	10.80	11.20	RG6/U	5-1814821-2	
	9-1478243-0	8.50	20.40	3.90	4.70	7.50	9.00	9.50	RG59B/U, 62A/U, 140/U, 210/U, URM90, Belden 9291, 9291, KX6A, KX25, KX52, KX53	5-1814821-1	
OBSOLETE	9-1478243-0	8.50	20.40	3.90	4.70	7.50	9.00	9.50	RG59B/U, 62A/U, 140/U, 210/U, URM90, Belden 9291, 9291, KX6A, KX25, KX52, KX53	5-1814821-0	
	DIE SET	G	F	E	D	C	B	A	CABLE GROUPS	PART NO.	
		DIMENSIONS									

- NOTES**
- 1 SINGLE PACK IN ACCORDANCE WITH AMP SPEC 107-3275
 - 2 100 TRAY PACK IN ACCORDANCE WITH AMP SPEC 107-3275
 - 3 Ni PLATING
 4. HAND TOOL: 9-1478240-0
 5. FOR TECHNICAL DATA REFER TO YOUR LOCAL TE CONNECTIVITY SALES OFFICE
 6. ALL DIMENSIONS ARE NOMINAL FOR REFERENCE ONLY UNLESS OTHERWISE STATED



	OBSOLETE	OBSOLETE	OBSOLETE	OBSOLETE	OBSOLETE									
1	1	1	1	1	1	1	1	1	1	1	ZINC ALLOY	COUPLING NUT	2	
1	1	1	1	1	1	1	1	1	1	1	BRASS	BODY	1	
5	75	65	55	45	35	25	15	0			MATERIAL	DESCRIPTION	ITEM	
QUANTITY PER ASSY											PARTS LIST			

THIS DRAWING IS A CONTROLLED DOCUMENT.

DIMENSIONS: mm	TOLERANCES UNLESS OTHERWISE SPECIFIED: 0 PLC ± 0.5 1 PLC ± 0.4 2 PLC ± 0.3 3 PLC ± - 4 PLC ± - ANGLES ± -	DWN ANSON MA 14FEB09 CHK RITA ZUO 14FEB09 APVD BOB ZHAO 14FEB09	STE TE Connectivity	
MATERIAL SEE TABLE	FINISH -	PRODUCT SPEC 108-112000	NAME	
		APPLICATION SPEC -	F TYPE STRAIGHT PLUG HEX CRIMP	
		WEIGHT -	SIZE A3	CAGE CODE 00779
		CUSTOMER DRAWING	DRAWING NO C-1814821	RESTRICTED TO -
			SCALE NTS	SHEET 1 OF 1
				REV C