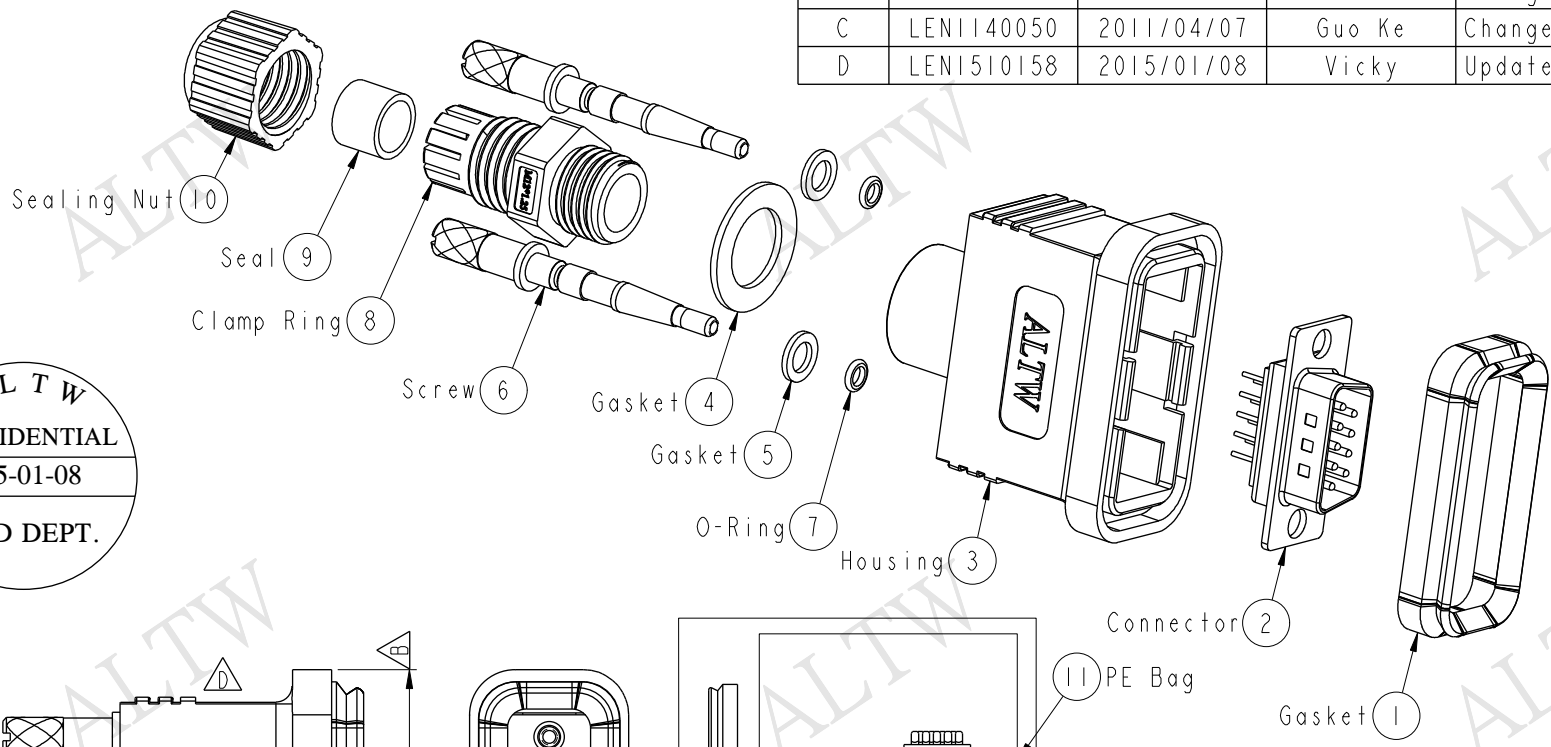
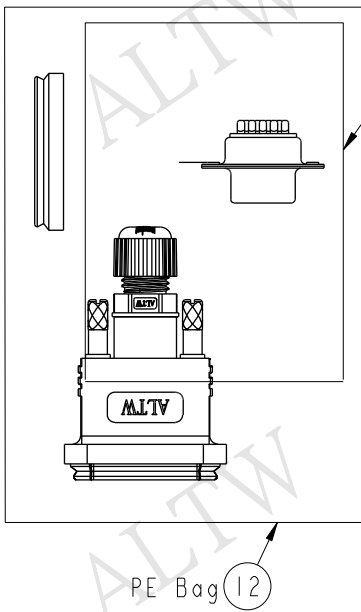
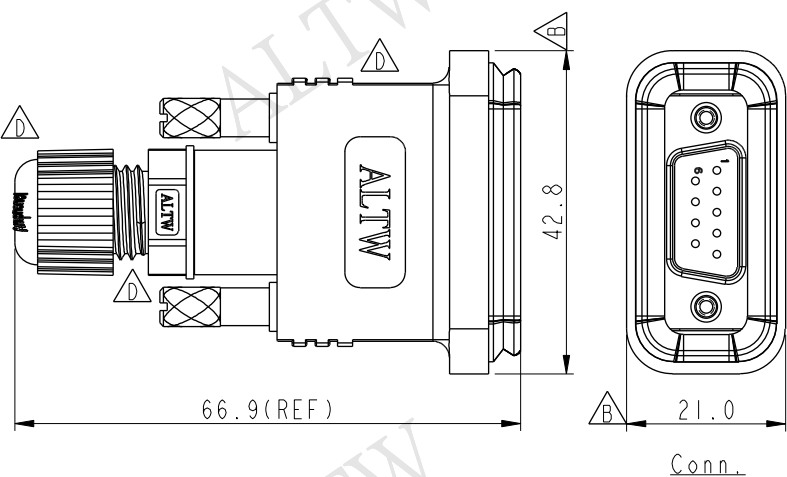


REV.	ECN NO.	DATE	SIGN	DESCRIPTION
B	LEN-050025	2010/04/10	Li Xiu Zhi	Change Dimension.
C	LEN1140050	2011/04/07	Guo Ke	Change Female Pin To Male Pin
D	LEN1510158	2015/01/08	Vicky	Update Logo



ALTW
CONFIDENTIAL
2015-01-08
R&D DEPT.

ALTW
DCC. DEPT.
CONFIDENTIAL
2015.01.15
ISSUED



- Note:
- * Waterproof Rate: IP67
 - * Housing: ABS, Black.
 - * Connector: D-SUB 09Pin, Male Pin: Brass, Gold Flash.
 - * Gasket: EPDM, Black.
 - * Screw: Brass, Nickel Plated.
 - * O-Ring: Silicone, Clear.
 - * Seal For Cable OD: $\varnothing 3.5\text{mm} \sim \varnothing 7.0\text{mm}$
 - * Clamp Ring: Nylon, Black.
 - * Seal: EPDM, Black.
 - * Sealing Nut: Nylon, Black.
 - * One Set Unassembled in One PE Bag.

A	UNIT:mm		TITLE D-SUB 9Pin Assembly Type		ITEM NO SDB-09BMMA-SL7001	DRAWN BY Vicky	DATE 2015-01-08
	TOLERANCE	$\pm 0.5 \text{ mm}$	SCALE 1:1	SIZE A4	DWG NO SDB-09BMMA-SL7001	CHECKED BY Sam	DATE 2015-01-08
			REV. D	WC-REV. A.2	CUSTOMER ALTW	APPROVED BY Rita	DATE 2015-01-08

Amphenol LTW
安費諾亮泰企業股份有限公司

THIS DOCUMENT IS SUBJECT TO CHANGE WITHOUT NOTICE. IT IS CONFIDENTIAL AND A PROPERTY OF AMPHENOL LTW. DISCLOSURE TO THIRD PARTY HAS TO BE AUTHORIZED BY AMPHENOL LTW.