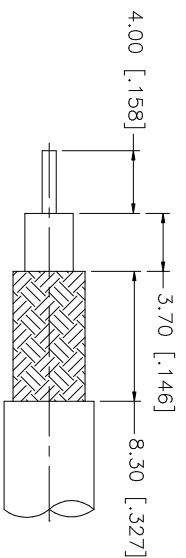
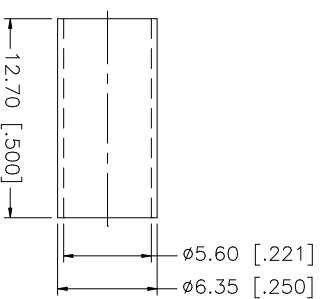
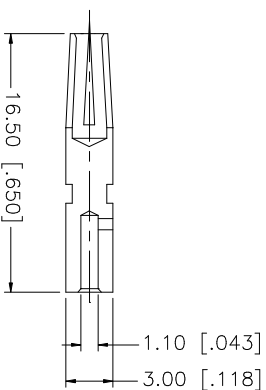
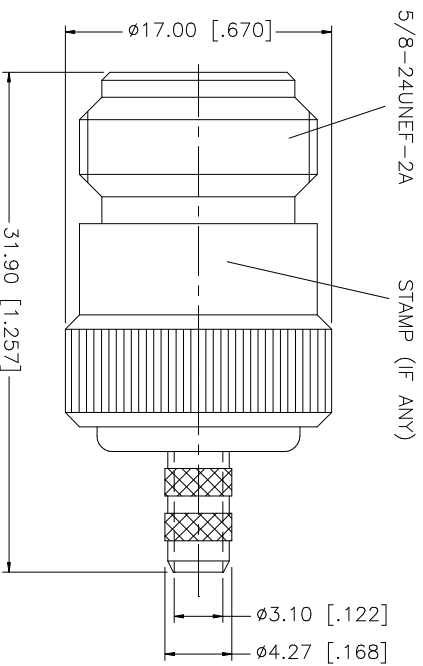


REV.	DATE	DESCRIPTION
A	07/21/99	REFORMAT DRAWING
B	11/12/99	MODIFY BARREL AND FERRULE DIMENSIONS
C	12/09/03	UPDATE DRAWING FORMAT



RECOMMENDED
CABLE STRIPPING DIM'S



NOTES:

1. CRIMPED FERRULE
HEX. CRIMP SIZE .213"
2. CRIMPED CONTACT PIN
HEX. CRIMP SIZE .100"

Amphenol Connex

PART DESCRIPTION

N CRIMP JACK - CAPTIVE CONTACT
(RG 55/U, 142/U, 223/U, 400/U CABLE - 50ohms)

PART NO. 172147

UNLESS OTHERWISE SPECIFIED DIMENSIONS ARE IN INCHES AND FOR CUSTOMER REFERENCE ONLY.	UNLESS OTHERWISE SPECIFIED TOLERANCES FOR MILLIMETERS ARE:	UNLESS OTHERWISE SPECIFIED DIMENSIONS ARE IN INCHES AND FOR CUSTOMER REFERENCE ONLY.	UNLESS OTHERWISE SPECIFIED TOLERANCES FOR INCHES ARE:	APPROVALS	DATE	DWG. NO.	REV.	SIZE	SCALE
0.5 - 8mm ± 0.20mm	8 - 30mm ± 0.40mm	30 - 120mm ± 0.50mm	.020 - .315 = ± 0.007"	DRAWN	12/09/03	172147.DWG	NC	A	NA
			.315 - 1.180 = ± 0.015"	CHECKED					
			1.180 - 4.724 = ± 0.020"	ISSUED					
				SHEET	1 OF 1				
				CAD FILE	C:/172/172147.DWG				

DESCRIPTION	MATERIAL	FINISH	QTY
1 FERRULE	COPPER	NEXCOTE	1
2 CONTACT PIN	PHOS. BRONZE	GOLD	1
3 INSULATOR	TEFLON	NATURAL	1
4 BODY	BRASS	NEXCOTE	1