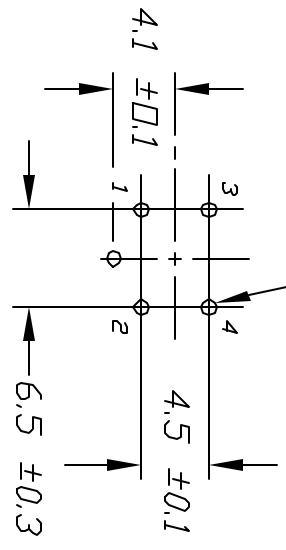
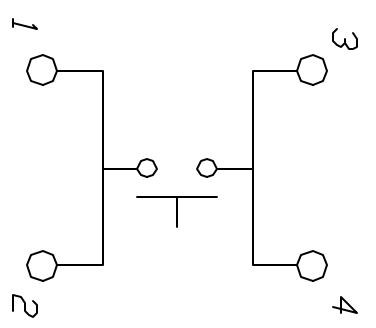
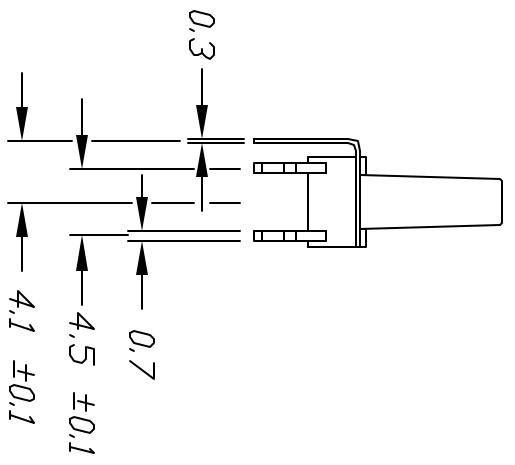
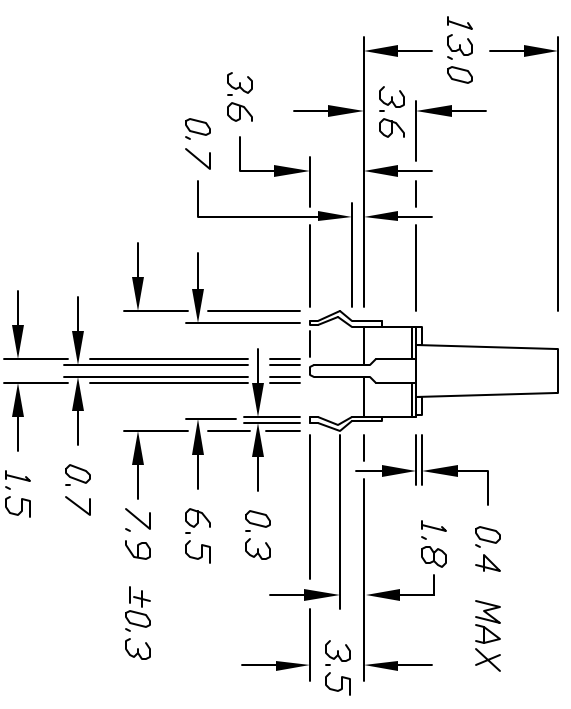


1.0 ±0.05 DIA HOLES (5)



P.C.B. MOUNTING HOLES  
TERMINAL NUMBERS FOR REF ONLY



CONTACT CONFIGURATION  
TERMINAL NUMBERS FOR REF ONLY

NOTES:

1. ALL DIMENSIONS IN MM
2. TERM. NOS. FOR REF ONLY

TOLERANCES		TITLE		SCALE		DATE		DR		DWG		REV	
0.0	±0.4	TLE 1105D (BLACK PLUNGER)		2:1	2/22/95	JL	P010104	A					
0.00	±0.25	<b>E-SWITCH</b>											
A	RELEASED FOR PRODUCTION	DATE	CHKD										
REV.	DESCRIPTION												
THE INFORMATION CONTAINED IN THIS DOCUMENT IS PROPRIETARY TO E-SWITCH AND IS NOT TO BE COPIED OR TRANSFERRED													