

**RECEPTACLE HOUSING**

| LTR. | REVISIONS | LTR. | REVISIONS |
|------|-----------|------|-----------|
|      |           |      |           |
|      |           |      |           |
|      |           |      |           |
|      |           |      |           |
|      |           |      |           |
|      |           |      |           |
|      |           |      |           |
|      |           |      |           |
|      |           |      |           |
|      |           |      |           |

| DIMENSIONS SHOWN METRIC INCH |        |
|------------------------------|--------|
| INCH                         | METRIC |
| 3 PLACE ± .010               | ---    |
| 2 PLACE ± .014               | ± 0.25 |
| 1 PLACE ---                  | ± 0.36 |

DRAFT WHERE APPLICABLE MUST REMAIN WITHIN DIMENSIONS

DRWG. BY: CEP CHKD. BY: RW  
 APP'D. BY: RAS SCALE: 4 : 1

| UNLESS OTHERWISE SPECIFIED TOLERANCES: ANGULAR ± .001     |  | REVISE ONLY ON CAD SYSTEM |               |
|---|--|---------------------------|---------------|
| TITLE   |  |                           |               |
| .093/(2.36) HOUSING;<br>PLUG AND RECEPTACLE;<br>2 CIRCUIT |  |                           |               |
| PART NO. MOLEX INCORPORATED                               |  | SHEET NO. 2               | DATE 12/18/87 |
| L15LEJLL 69532 U.S.A.                                     |  |                           |               |
| SEE CHART   |  | DRWG. NO. SD-42191-2      |               |
| FILE NAME: 5421912X2.DWG                                  | THIS DRAWING CONTAINS INFORMATION THAT IS PROPRIETARY TO MOLEX INC. AND SHOULD NOT BE USED WITHOUT WRITTEN PERMISSION. |                           | REV. CP       |

42191

| PLUG       |             |          |
|------------|-------------|----------|
| PART NO.   | ENG. NO.    | OBSOLETE |
| 03-09-2160 | 42191-2P    | YES      |
| 03-09-2161 | 42191-2P1   |          |
| 03-09-4161 | 42191-2P1RD |          |
| 03-09-4162 | 42191-2P1BU |          |
| 03-09-4163 | 42191-2P1GN |          |

| RECEPTACLE |             |          |
|------------|-------------|----------|
| PART NO.   | ENG. NO.    | OBSOLETE |
| 03-09-1160 | 42191-2R    | YES      |
| 03-09-1161 | 42191-2R1   |          |
| 03-09-1162 | 42191-2R2   |          |
| 03-09-1163 | 42191-2R3   |          |
| 03-09-3161 | 42191-2R1RD |          |
| 03-09-3162 | 42191-2R1BU |          |
| 03-09-3163 | 42191-2R1GN |          |

LEGEND: PLUG

42191-2P\*\*\*-

CIRCUIT SIZE

P = PLUG

BLANK = WITH PREBENT EARS

I = WITHOUT EARS

BLANK = NATURAL COLOR

AM=AMBER BK=BLACK BU=BLUE

BN=BROWN GY=GRAY GN=GREEN

OR=ORANGE RD=RED YW=YELLOW

BLANK = MATERIAL CODE A

LEGEND: RECEPTACLE

42191-2R\*\*\*-

CIRCUIT SIZE

R = RECEPTACLE

BLANK = WITH PREBENT EARS, POSITIVE LOCK

1 = WITHOUT EARS, POSITIVE LOCK

2 = WITH PREBENT EARS, PASSIVE LOCK

3 = WITHOUT EARS, PASSIVE LOCK

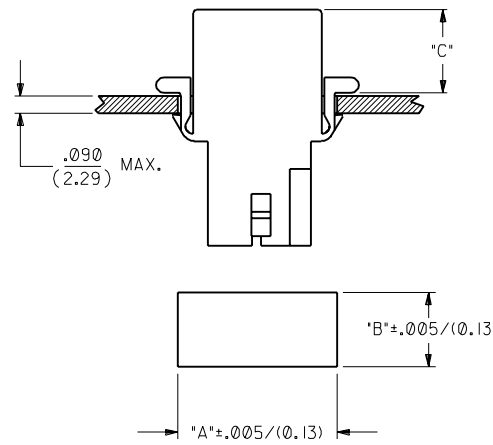
BLANK = NATURAL COLOR

AM=AMBER BK=BLACK BU=BLUE

BN=BROWN GY=GRAY GN=GREEN

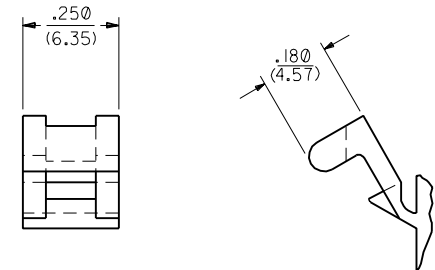
OR=ORANGE RD=RED YW=YELLOW

BLANK = MATERIAL CODE A



RECOMMENDED PANEL MOUNTING HOLE

| HOUSING    | DIM. "A"     | DIM. "B"    | DIM. "C"   |
|------------|--------------|-------------|------------|
| PLUG       | .831/(21.11) | .385/(9.78) | .44/(11.2) |
| RECEPTACLE | .831/(21.11) | .335/(8.51) | .46/(11.7) |



DETAIL "A"

PREBENT MOUNTING EAR  
SCALE 4:1

NOTES:

- MATERIAL CODES:  
A = NYLON TYPE 6/6, 94V-2
- PART ACCEPTS DOUBLE WIRE CRIMPS OF 18 AWG MAXIMUM. EACH CIRCUIT WILL ALLOW ONE OF THE WIRES TO HAVE AN INSULATION THICKNESS OF .062/(1.57), THE OTHER HAVING AN INSULATION THICKNESS OF .031/(0.79).
- LOCK RAMP STYLE IS OPTIONAL ON THIS SIDE OF PART. CHOICE OF EITHER A POSITIVE LOCK RAMP OR A PASSIVE LOCK RAMP IS AVAILABLE.

| REV. | REVISIONS   | REV. | REVISIONS |
|------|-------------|------|-----------|
| E    | SEE SHEET 1 |      |           |
| D2   | SEE SHEET 1 |      |           |
| D1   | SEE SHEET 1 |      |           |
| C    | SEE SHEET 1 |      |           |
| B    | SEE SHT. 1  |      |           |
| A    | SEE SHT. 1  |      |           |
| I    | SEE SHT. 1  |      |           |
| LTR. |             | LTR. |           |

|  |               |
|--|---------------|
| DIMENSIONS SHOWN (METRIC) INCH                       |               |
| UNLESS OTHERWISE SPECIFIED TOLERANCES ANGULAR ± 10°  |               |
| 3 PLACE ± .010                                       | ---           |
| 2 PLACE ± .014                                       | ± 0.25        |
| 1 PLACE ---  | ± 0.36        |
| DRAFT WHERE APPLICABLE MUST REMAIN WITHIN DIMENSIONS |               |
| DRWG. BY: GEP  | CHK'D. BY: RW |
| APP'D. BY: RAS                                       | SCALE: --:--  |

|  |             |
|--|-------------|
| REVISE ONLY ON CAD SYSTEM  |             |
| TITLE: .093/(2.36) HOUSINGS; PLUG AND RECEPTACLE; 2 CIRCUIT  |             |
| MOLEX INCORPORATED U.S.A.  | SHEET NO. 3 |
| DATE: 12/18/87   |             |
| PART NO. SD-42191-2*   |             |
| SEE CHART  | DRWG. NO.   |
| FILE NAME: S421912X3   | DIV. CP     |
| THIS DRAWING CONTAINS INFORMATION THAT IS PROPRIETARY TO MOLEX INC. AND SHOULD NOT BE USED WITHOUT WRITTEN PERMISSION. |             |