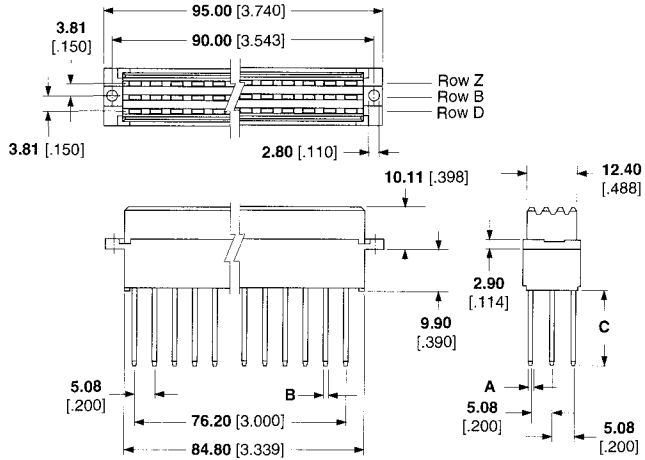
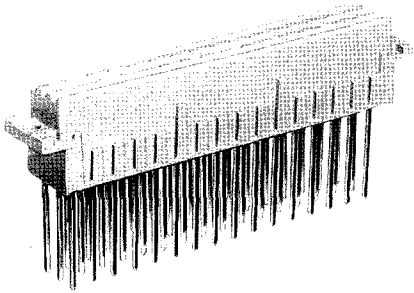


**Type F Vertical Receptacle Assemblies with Wrap Type and Solder Posts**



**Material**

**Housing** — Glass filled polymer  
**Contacts** — Copper alloy

**Related Product Data**

**DIN Performance Levels** — Page 6

**Performance Specifications** — Page 8

**Mateable Connectors** — Pages 36, 39

**PC Board Hole Layout** — Page 61

**Accessories** — Page 68, 69

**Technical Documents** — Page 74:

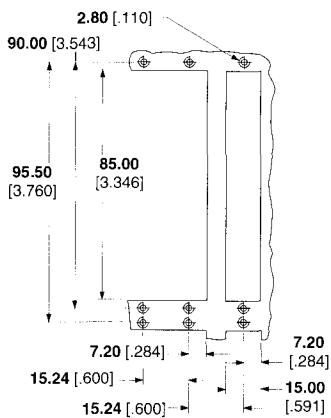
DIN Specification 41612

IEC Specification 60603-2

Instruction Sheet 408-6784

Number of Positions	Post Type	Rows Loaded	DIN Level	Part Number
48	Wrap Type	Z,B,D	II	166717-4
	1.00 [.039] Square	Z,B,D	II	166733-4
32	Wrap Type	Z,D	II	166719-4
	4.00 [.157] Solder	Z,D	II	166951-4

**Recommended Panel Cutout**



Post Type	Post Dimensions		
	A	B	C
Wrap Type	1.00	1.00	22.00
1.00 [.039] Square	.039	.039	.866
4.00 [.157] Solder	0.60	0.30	4.00
	.022	.012	.157

Type F Assemblies