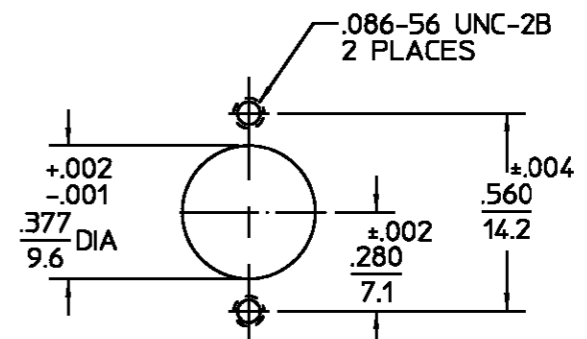


REVISIONS			
REV	DESCRIPTION	DATE	APPROVED
020	REVISED	3/21/94	M.Y.



.XXX = IN
X.X = MM

COMPONENT	MATERIAL	FINISH
HOUSING CAP BUSHING	STAINLESS STEEL PER ASTM-A484 AND ASTM-A582, TYPE 303	PASSIVATE PER ASTM-A380
DIELECTRIC	TFE FLUOROCARBON PER ASTM-D-1457	N/A
CENTER CONTACT CONTACT SLEEVE	BERYLLIUM COPPER PER ASTM B 196, ALLOY C17300, CONDITION H	GOLD PLATE PER MIL-G-45204
CONTACT RING SHIM	BERYLLIUM COPPER PER ASTM B 194, ALLOY C17200, CONDITION H	GOLD PLATED PER MIL-G-45204
SPRING	STAINLESS STEEL	PASSIVATED
SHRINK TUBING	HEAT SHRINKABLE POLYOLEFIN COMPOUND MIL-I-23053/4	N/A
FERRULE	COPPER OR BRASS ALLOY ROCKWELL F65 MAX	GOLD PLATE PER MIL-G-45204

CABLE ENTRY DIAMETER MINIMUM	UNLESS OTHERWISE SPECIFIED DIMENSIONS ARE IN INCHES
HOUSING	.037
CONTACT (SLOT)	.027
FERRULE	.128

UNLESS OTHERWISE SPECIFIED DIMENSIONS ARE IN INCHES
TOLERANCE ON
FRAC. DEC. ANGLES
± 1/64 ± .005 ± 1°
These drawings and specifications are the property of Omni Spectra Incorporated and shall not be reproduced or copied or used in whole or in part as the basis for the manufacture or sale of item(s) without written permission.

DRAWN BY M.YUEN DATE 1-8-88
CHECKED BY MH/M 1-14-88
APPD BY BAR 1-14-88
USE ASS'Y PROCEDURE
NO. AP. 45-092

AMP Incorporated
140 Fourth Avenue
Waltham, MA 02451-7599

AMP

TITLE OSP RIGHT ANGLE FLOATING FLANGE MOUNT CABLE JACK - CRIMP ATTACHMENT

SIZE B	CODE IDENT NO. 26805	4538-5004-02	REV 020
SCALE 4:1			SHEET 1 OF 1

- NOTES:
- DESIGNED FOR USE WITH RG178 DOUBLE BRAIDED CABLE
 - CAPTURED CENTER CONTACT