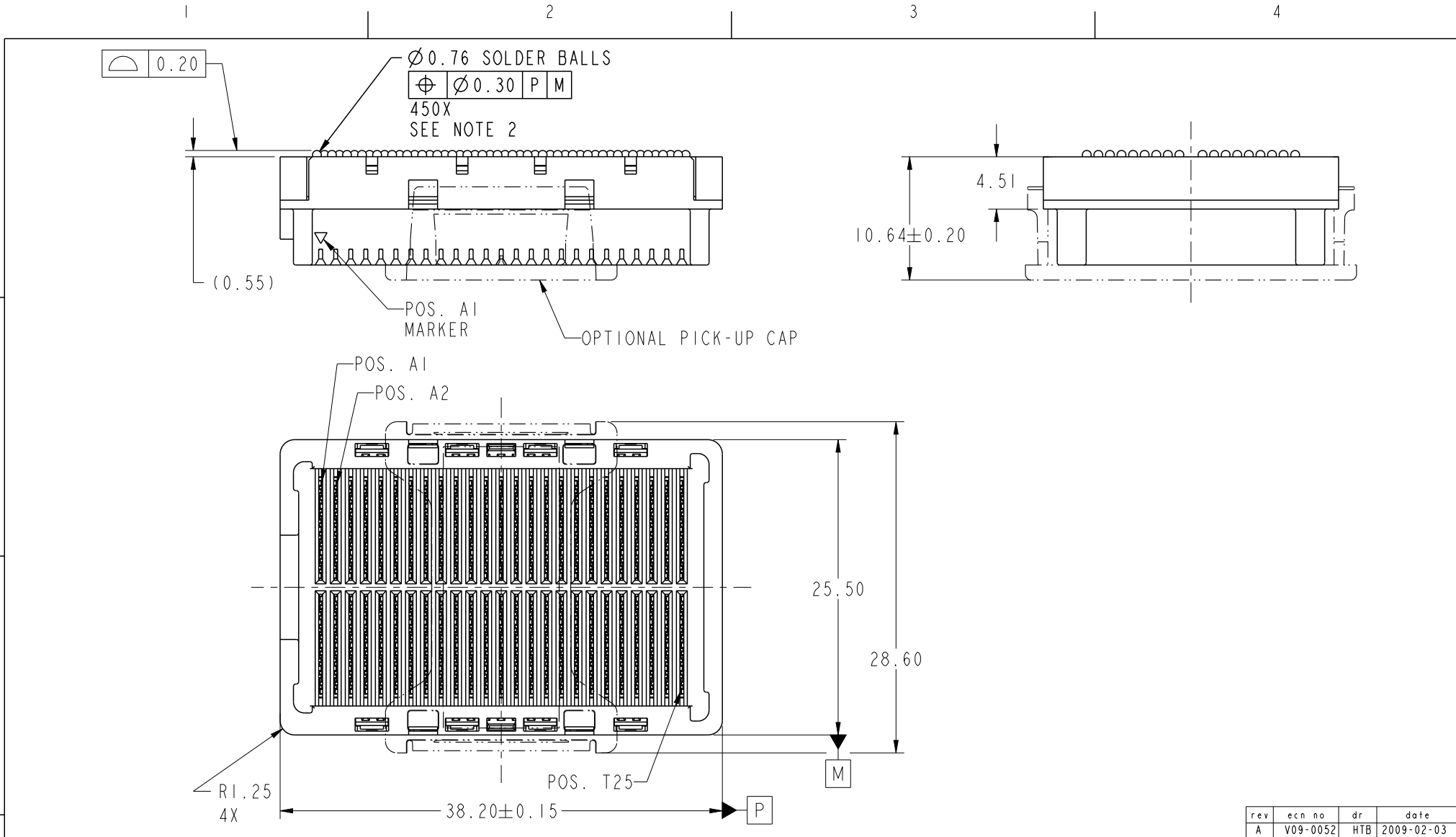




Copyright FCI.



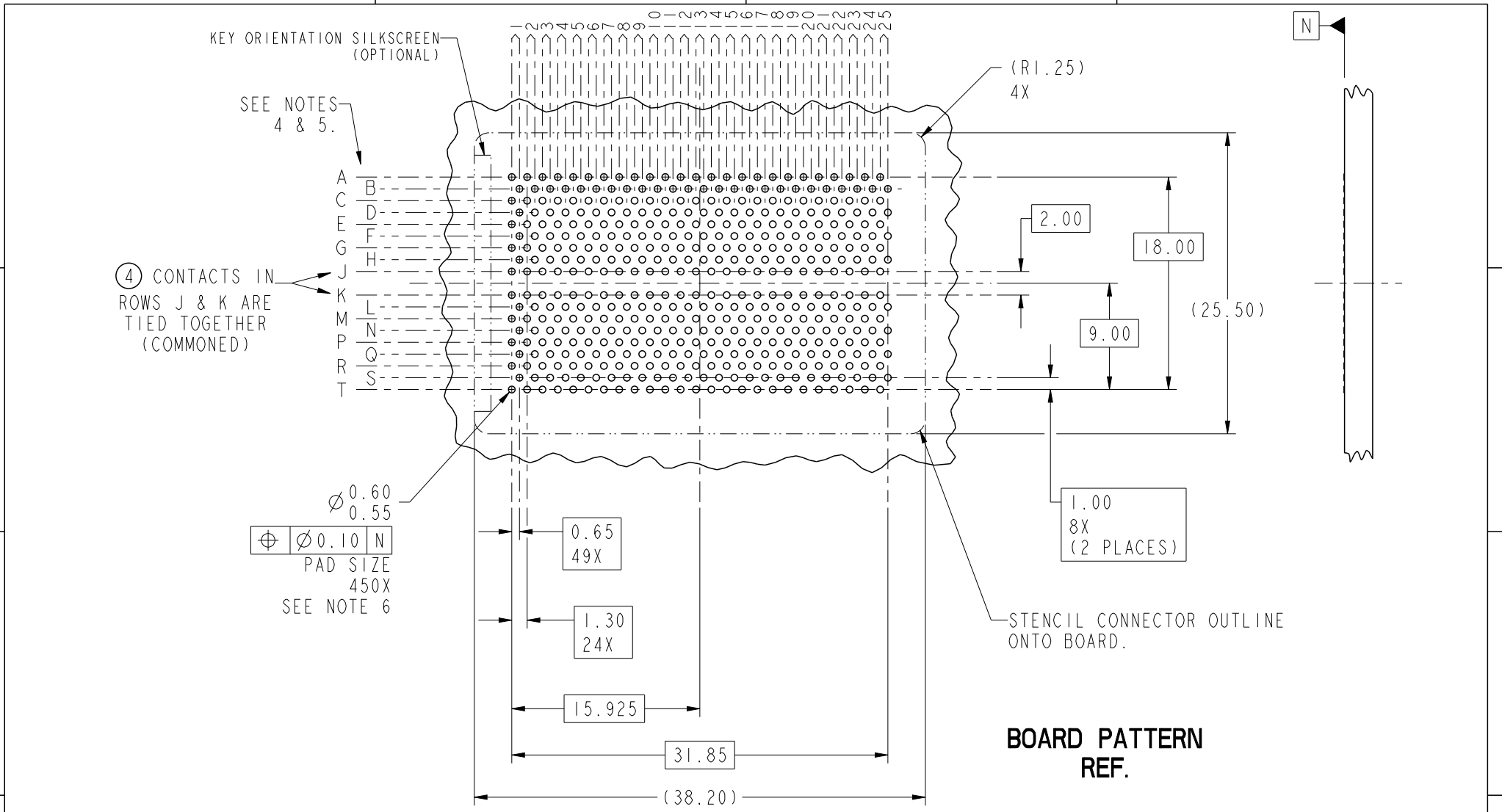
rev	ecn no	dr	date
A	V09-0052	HTB	2009-02-03

spec ref	*	dr	Louis Ng	2010/11/01	projection	mm	size	A4	scale	11:10			
tolerance std	ASME Y14.5	eng	Nickor Zuo	2011/05/31			ecn no		ELX-DG-003943-1				
TOLERANCES UNLESS OTHERWISE SPECIFIED		chr	Alex Cao	2011/06/24			product family		GIG-Array		rel level	Released	
surface	✓	appr	Pei-Ming Zheng	2011/06/27	product family		GIG-Array		rel level		Released		
	linear	0.X	±0.30		title		5mm RECEPTACLE ASSY.		dwg no 10097161	rev		B	
		0.XX	±0.10		title		200 SIG. POS. WITH NITROGEN BGA						
		0.XXX	±0.05		cat. no.		Product - Customer Drw			sheet 1 of 5			
	angular	0°	±2°	www.fci.com									

ProE File - REV C - 2009-06-09



Copyright FCI.



spec ref	*	dr	Louis Ng	2010/11/01	projection	mm	size	A4	scale	1:10
tolerance std	ASME Y14.5	eng	Nickor Zuo	2011/05/31			ecn no		ELX-DG-003943-1	
TOLERANCES UNLESS OTHERWISE SPECIFIED		chr	Alex Cao	2011/06/24			rel level		Released	
surface	✓	appr	Pei-Ming Zheng	2011/06/27	product family		GIG-Array		rev	
	linear			title		5mm RECEPTACLE ASSY. 200 SIG. POS. WITH NITROGEN BGA		dwg no 10097161		B
	angular	www.fci.com		cat. no.		Product - Customer Drw		sheet 2 of 5		
	0.X	±0.30								
	0.XX	±0.10								
	0.XXX	±0.05								
	0°	±2°								

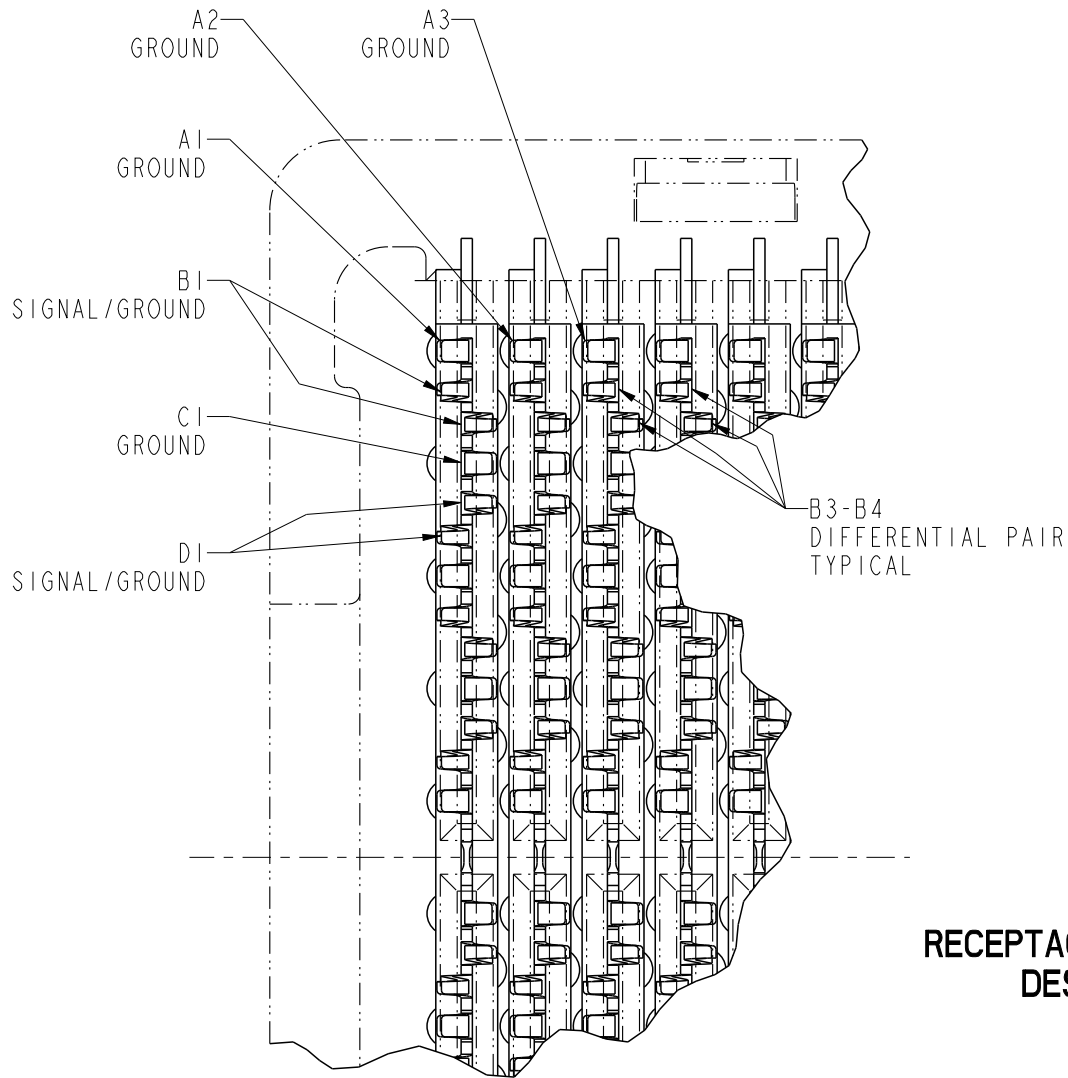
ProjE File - REV C - 2009-06-09

A

B

C

D



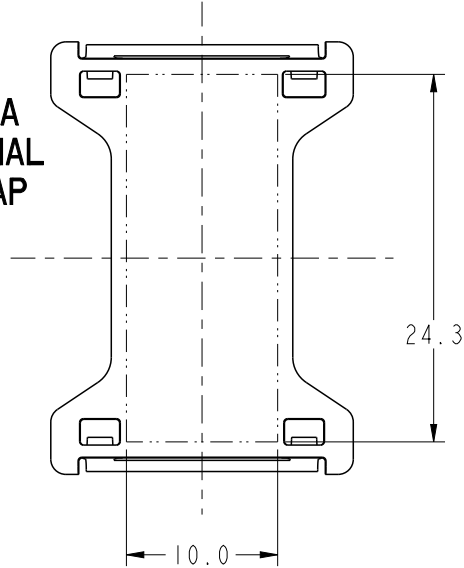
RECEPTACLE INTERFACE DESCRIPTION



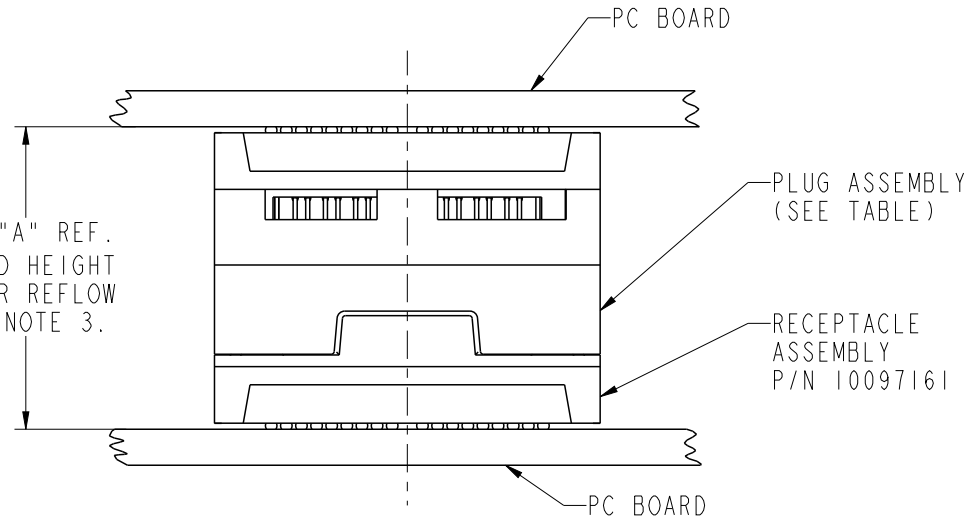
Copyright FCI.

spec ref	*	dr	Louis Ng	2010/11/01	projection	mm	size	A4	scale	37:5		
tolerance std	TOLERANCES UNLESS OTHERWISE SPECIFIED	eng	Nickor Zuo	2011/05/31			ecn no	ELX-DG-003943-1				
ASME Y14.5		chr	Alex Cao	2011/06/24				product family	GIG-Array	rel level	Released	
-		appr	Pei-Ming Zheng	2011/06/27							10097161	rev
surface	linear	0.X	±0.30		title	5mm RECEPTACLE ASSY. 200 SIG. POS. WITH NITROGEN BGA	cat. no.	Product - Customer Drw	sheet 3 of 5			
-	angular	0.XX	±0.10									
		0.XXX	±0.05									
		0°	±2°	www.fci.com								

FLAT AREA
FOR OPTIONAL
PICK-UP CAP
SCALE 2:1



DIM "A" REF.
MATED HEIGHT
AFTER REFLOW
SEE NOTE 3.



END VIEW OF MATED CONNECTORS
SCALE 2:1

DIM. "A"	PLUG ASSEMBLY P/N
15	55737
17	10026802
18	10060910
20	55738
25	55739
30	10054783



Copyright FCI.

spec ref	*	dr	Louis Ng	2010/11/01	projection 	mm 	size	A4	scale	1:10	
tolerance std	TOLERANCES UNLESS OTHERWISE SPECIFIED	eng	Nickor Zuo	2011/05/31			product family	GIG-Array	ecn no	ELX-DG-003943-1	
ASME Y14.5		chr	Alex Cao	2011/06/24				rel level	Released		
surface	linear	appr	Pei-Ming Zheng	2011/06/27	title	5mm RECEPTACLE ASSY. 200 SIG. POS. WITH NITROGEN BGA	dwg no	10097161	rev	B	
-	angular	www.fci.com		cat. no.						*	Product - Customer Drw

PRODUCT NUMBER	SOLDER BALL COMPOSITION	CONTACT PLATING PERFORMANCE LEVEL
10097161-001	STANDARD (EUTECTIC)	PERFORMANCE-BASED PLATING, QUALIFIED TO MEET THE REQUIREMENTS OF FCI PRODUCT SPECIFICATION GS-12-192, INCLUDING TELCORDIA CENTRAL OFFICE
10097161-001LF	LEADFREE	

NOTES:

- ① MATERIAL:
HOUSING: LCP
CONTACT: COPPER ALLOY
PLATING (CONTACT): Au OVER Ni.
UL RATING: 94 V-0
SOLDBALL: (SEE TABLE) EUTECTIC SnPb OR LEAD FREE 95.5 Sn/4Ag/0.5Cu.
- ② SOLDER BALLS WILL NOT BE PERFECT SPHERICAL SHAPE DUE TO REFLOW ATTACHMENT.
- ③ MATED HEIGHT EFFECTED BY CUSTOMERS' PCB PAD SIZE, PLATING, SOLDER REFLOW PROFILE & SOLDER PASTE.
- ④ CONTACTS IN ROWS A,C,E,G,J,K,M,P,R AND T ARE SINGLE BEAM CONTACTS, TYPICALLY USED AS GROUND PINS. (NOTE: CONTACTS IN ROWS J & K ARE TIED TOGETHER [COMMONED])
- ⑤ CONTACTS IN ROWS B,D,F,H,L,N,Q AND S ARE DUAL BEAM CONTACTS, TYPICALLY USED AS SIGNAL PINS.
- ⑥ SPECIFIED POSITIONAL TOLERANCE DEFINES PAD TO PAD LOCATION WITHIN LAND PATTERN. POSITIONAL TOLERANCE OF LAND PATTERN TO FUDICIAL MARKS OR PCB DATUMS SHALL BE DEFINED BY CUSTOMER. FOR RECOMMENDED PRODUCT APPLICATION AND PCB DESIGN DETAILS, SEE DOC. NO. GS-20-016.
- ⑦ FOR PROPER APPLICATION FOLLOW FCI APPLICATION SPECIFICATION GS-20-033. LEAD FREE SOLDER BALLS WILL NOT SOLDER PROPERLY IN A LEADED SOLDER PROCESS DUE TO A HIGHER REFLOW TEMPERATURE. LEADFREE PRODUCT IS THEREFORE NOT BACKWARDS COMPATIBLE WITH LEADED OR SOME SOLDERING APPLICATIONS. REFERENCE FCI APPLICATION SPECIFICATION.
- ⑧ THIS PRODUCT MEETS THE EUROPEAN UNION DIRECTIVES AND OTHER COUNTRY REGULATIONS AS DESCRIBED IN GS-22-008. PRODUCT MEETING THIS DIRECTIVE IS IDENTIFIED IN THE CODE NUMBER MARKED ON EACH PART BY HAVING AN "X" IN THE SEVENTH CHARACTER POSITION.



spec ref	*	dr	Louis Ng	2010/11/01	projection 	mm 	size	A4	scale	1:10	
tolerance std	TOLERANCES UNLESS OTHERWISE SPECIFIED	eng	Nickor Zuo	2011/05/31			ecn no	ELX-DG-003943-1			
ASME Y14.5		chr	Alex Cao	2011/06/24				rel level	Released		
-		appr	Pei-Ming Zheng	2011/06/27	product family	GIG-Array					
surface	✓	linear	0.X	±0.30	FCI	title	5mm RECEPTACLE ASSY.	dwg no	10097161	rev	B
-			0.XX	±0.10							
-			0.XXX	±0.05							
-	angular	0°	±2°	www.fci.com	cat. no.	*	Product - Customer Drw	sheet 5 of 5			